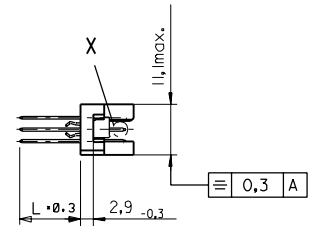
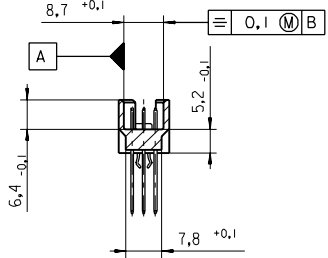
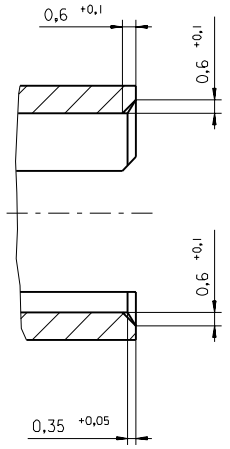
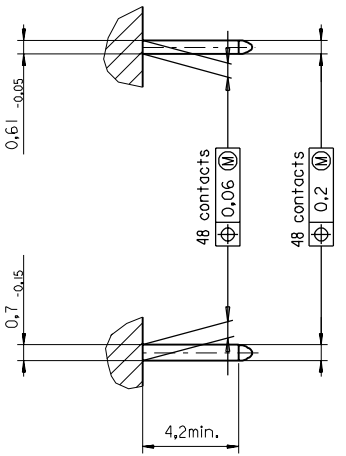


PART NO.
DWG. NO.

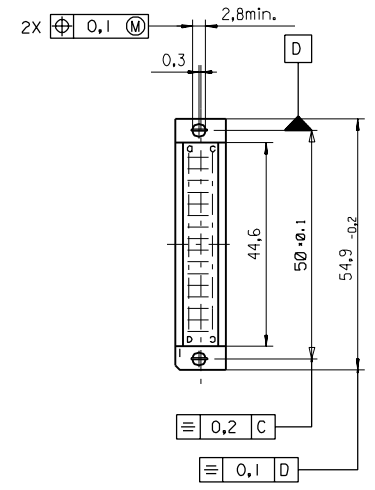
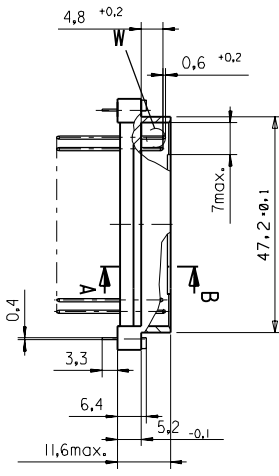
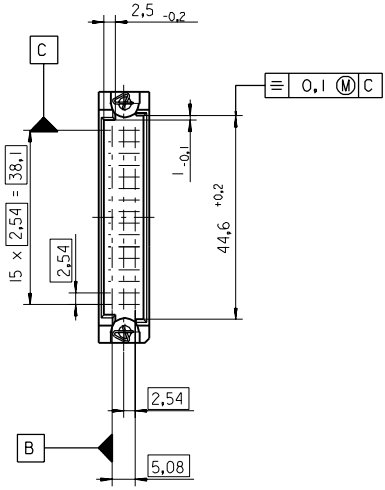
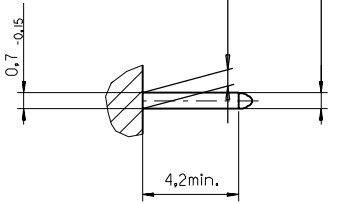
Section A - B
5:1



View X
5:1



View W
5:1



FIRST ANGLE PROJECTION		REVISE ONLY ON CAD SYSTEM		SH.	REV.
first release see ECN No. 1887	L TR FOR PREVIOUS REVISIONS SEE MRI LIST	UNLESS OTHERWISE SPECIFIED TOLERANCES: ANGULAR ±2°	DRWG BY Ca	CAD/CAM PROJECT NAME 85013000 821	
		INCH METRIC	CHK'D BY KN	THIS DRAWING CONTAINS INFORMATION THAT IS PROPRIETARY TO MOLEX INC. & SHOULD NOT BE USED WITHOUT WRITTEN PERMISSION	
		3 PLACE ± . ±		TITLE 48 pos. Male connector acc. DIN 41612 style R/2 Dimensions	
		2 PLACE ± . ±		SHEET NO. DATE 1 OF 95/06/08	
		1 PLACE ± . ±		MOLEX EUROPE	
		DRAFT WHERE APPLICABLE MUST REMAIN WITHIN DIMENSIONS	APP'D BY	PART NO. DWG NO. SIZE	
		DESIGN DIMENSION <input checked="" type="checkbox"/> MM <input type="checkbox"/> IN.	SCALE	SDA-85013-0002 B	
		EQUIVALENT DIMENSION <input type="checkbox"/> MM <input type="checkbox"/> IN.			
		IF TWO DIMENSIONS ARE SHOWN THE UPPER IS THE DESIGN DIMENSION, LOWER IS SECONDARY			

VIEW ON MATING SIDE

⊂	A	A	A	A	A	A	A	A	A	A	A	A	A	A	A	A	A	A	A
⊃	A	A	A	A	A	A	A	A	A	A	A	A	A	A	A	A	A	A	A
⊄	A	A	A	A	A	A	A	A	A	A	A	A	A	A	A	A	A	A	A

1 2 3 4 5 6 7 8 9 10 11 12 13 14 15 16 17 18 19 20 21 22 23 24 25 26 27 28 29 30 31 32 33 34 35 36 37 38 39 40 41 42 43 44 45 46 47 48

A = 48 STANDARD CONTACTS L=4,5

Marking	Standard
Performance level	G3/0 = Contact area perform. level3 / Termination tin
Flux proof	no
Fixing clip	no
Dimensions	SDA-85013-0002 sht.1
Technical Data	PS-85013-0001

A	G3/0	a1-16	b1-16	c1-16
Contact symbol	Perform. level	Contact position number		

ECN No. MC1998-2626 first release	REVISIONS		FOR PREVIOUS REVISIONS SEE MRI LIST	
	LTR			
UNLESS OTHERWISE SPECIFIED TOLERANCES: ANGULAR ± 2° INCH METRIC		DRWG BY	SIGN	
3 PLACE ± .	±	Ca		
2 PLACE ± .	±	CHK'D BY	SIGN	
1 PLACE ± .	±	KN		
DRAFT WHERE APPLICABLE MUST REMAIN WITHIN DIMENSIONS		APP'D BY	SIGN	
DESIGN DIMENSION	<input type="checkbox"/> MM <input type="checkbox"/> IN.	JB		
EQUIVALENT DIMENSION	<input type="checkbox"/> MM <input type="checkbox"/> IN.	SCALE		
IF TWO DIMENSIONS ARE SHOWN, THE UPPER IS THE DESIGN DIMENSION, LOWER IS SECONDARY				
REVISE ONLY ON CAD SYSTEM		SH. REV.		
CAD/CAM PROJECT NAME		THIS DRAWING CONTAINS INFORMATION THAT IS PROPRIETARY TO MOLEX INC. & SHOULD NOT BE USED WITHOUT WRITTEN PERMISSION		
s8501331		s91		
TITLE		SHEET NO. DATE		
48 pos. Male connector acc. DIN 41612 style R/2 contacts arrangement		1 OF 1 97/10/24		
PART NO.		DWG NO.		
85013-3196		SDA-85013-3196		
SIZE		A		