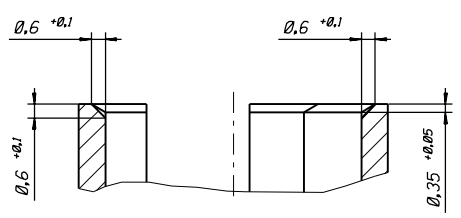
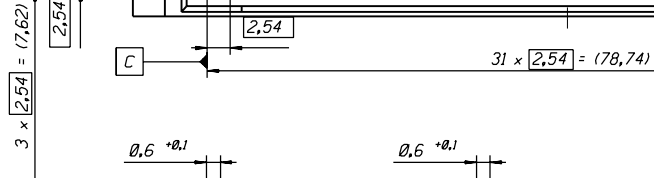
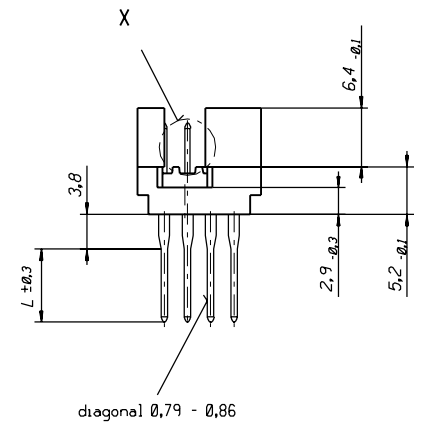
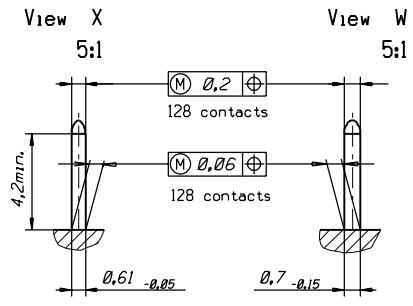
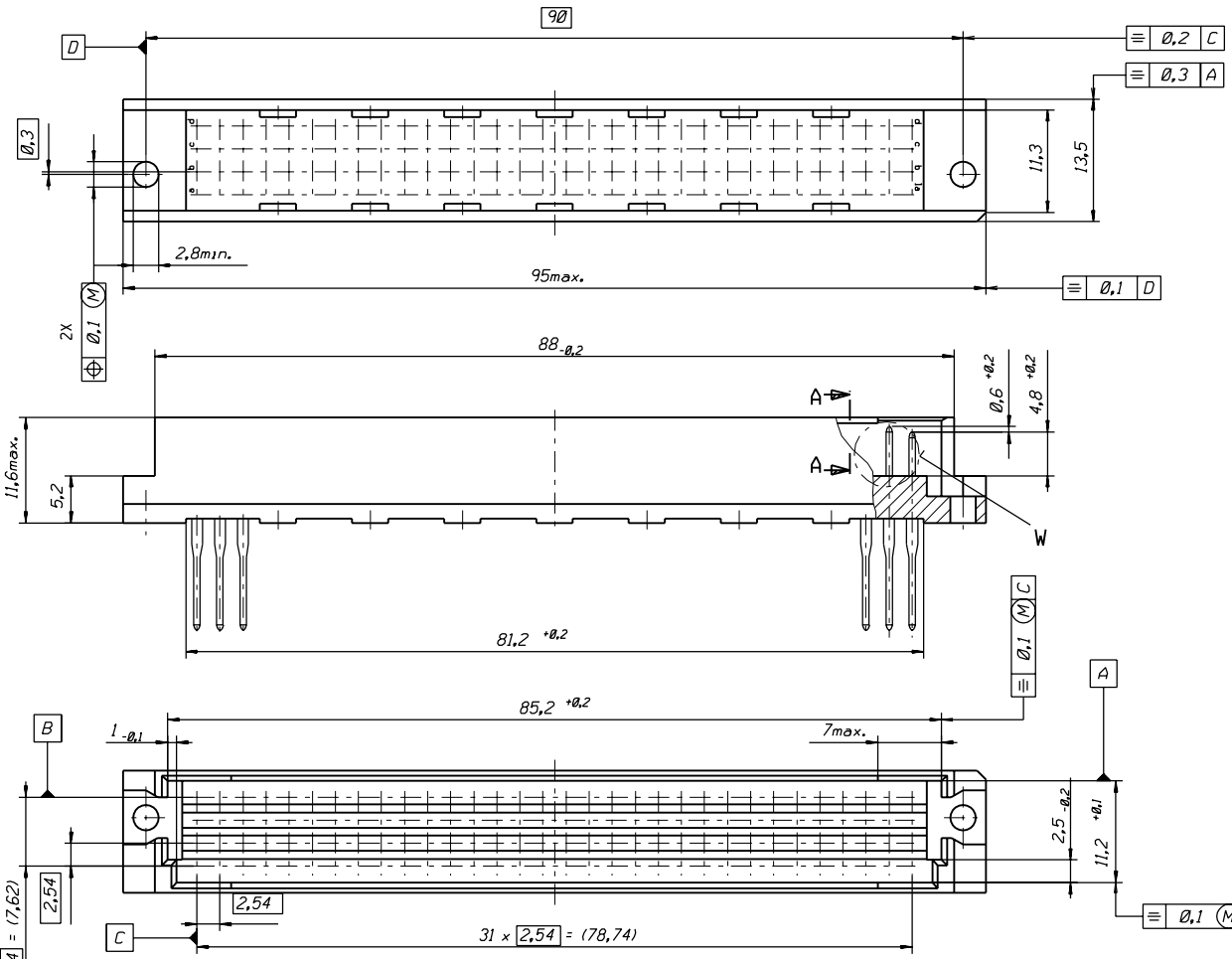


PART NO.
DWG. NO.



Section A - A
5:1

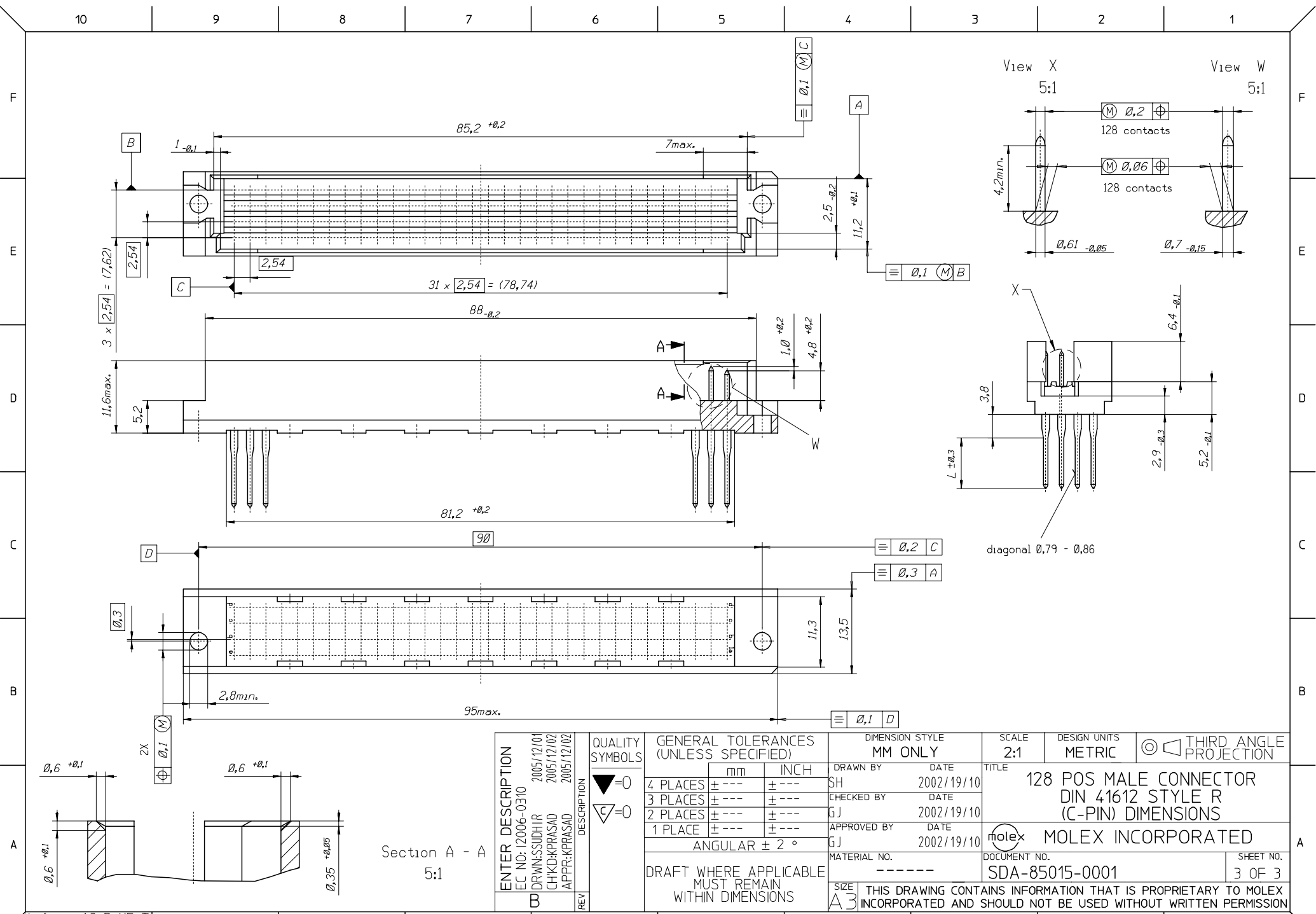
FIRST ANGLE PROJECTION

UNLESS OTHERWISE SPECIFIED TOLERANCES: ANGULAR ±2°	INCH		METRIC	
	3 PLACE ±	±	±	±
2 PLACE ±	±	±	±	±
1 PLACE ±	±	±	±	±
DRAFT WHERE APPLICABLE MUST REMAIN WITHIN DIMENSIONS				
DESIGN DIMENSION	<input checked="" type="checkbox"/>	MM	<input type="checkbox"/>	IN.
EQUIVALENT DIMENSION	<input type="checkbox"/>	MM	<input type="checkbox"/>	IN.
IF TWO DIMENSIONS ARE SHOWN THE UPPER IS THE DESIGN DIMENSION, LOWER IS SECONDARY				

DRW'D BY Ca	SIGN
CHK'D BY KN	SIGN
APP'D BY FB	SIGN
SCALE 2:1	

REVISE ONLY ON CAD SYSTEM

CAD/CAM PROJECT NAME 85015000 611	THIS DRAWING CONTAINS INFORMATION THAT IS PROPRIETARY TO MOLEX INC. & SHOULD NOT BE USED WITHOUT WRITTEN PERMISSION	SH.	REV.
TITLE 128 pos. Male connector DIN 41612 style R (C-Pin) Dimensions		SHEET NO. 1 OF	DATE 98/04/27
MOLEX MOLEX EUROPE		DWG NO. SDA-85015-0001	SIZE B



REV	DESCRIPTION
B	ENTER DESCRIPTION
	EC NO: I2006-0310
	DRWN:SSUDHIR 2005/12/01
	CHKD:KPRASAD 2005/12/02
	APPR:KPRASAD 2005/12/02

QUALITY SYMBOLS	DESCRIPTION
▽=0	
△=0	

GENERAL TOLERANCES (UNLESS SPECIFIED)	
mm	INCH
4 PLACES ± ---	± ---
3 PLACES ± ---	± ---
2 PLACES ± ---	± ---
1 PLACE ± ---	± ---
ANGULAR ± 2 °	

DIMENSION STYLE		SCALE	DESIGN UNITS	THIRD ANGLE PROJECTION
MM ONLY		2:1	METRIC	☉
DRAWN BY	DATE	TITLE		
SH	2002/19/10	128 POS MALE CONNECTOR		
CHECKED BY	DATE	DIN 41612 STYLE R		
GJ	2002/19/10	(C-PIN) DIMENSIONS		
APPROVED BY	DATE	MOLEX MOLEX INCORPORATED		
GJ	2002/19/10	SDA-85015-0001		
MATERIAL NO.	DOCUMENT NO.	SHEET NO.		
-----	-----	3 OF 3		
DRAFT WHERE APPLICABLE MUST REMAIN WITHIN DIMENSIONS				
THIS DRAWING CONTAINS INFORMATION THAT IS PROPRIETARY TO MOLEX INCORPORATED AND SHOULD NOT BE USED WITHOUT WRITTEN PERMISSION				