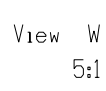
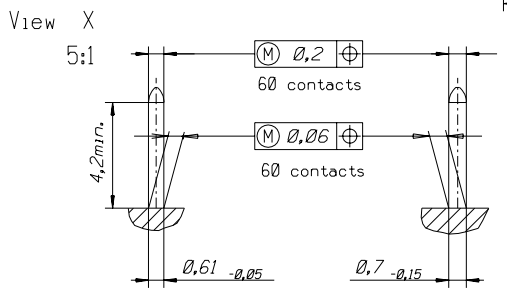
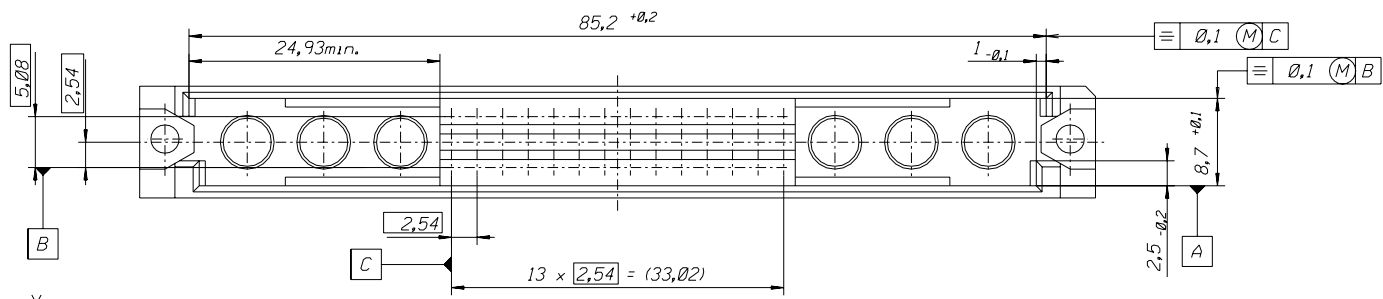
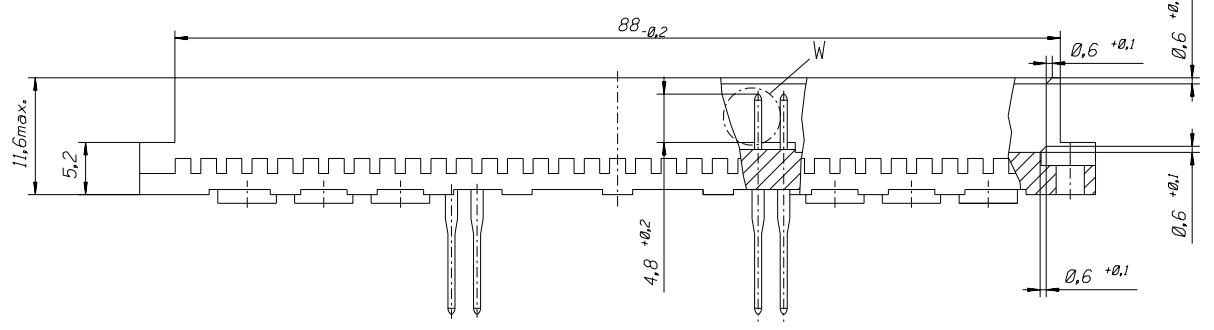
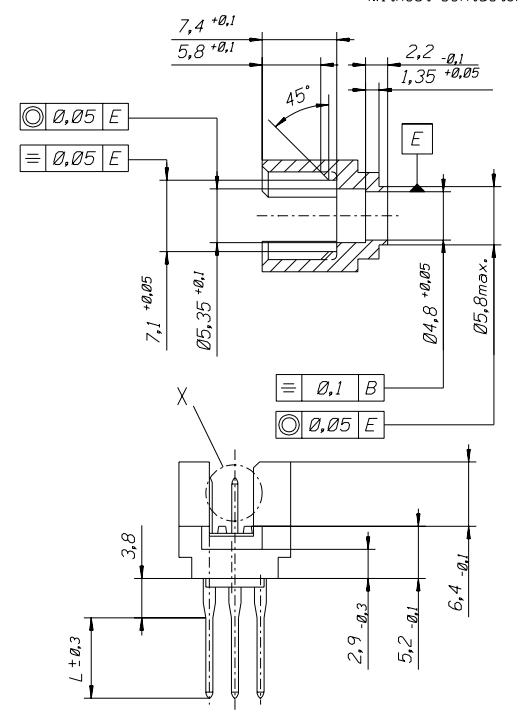
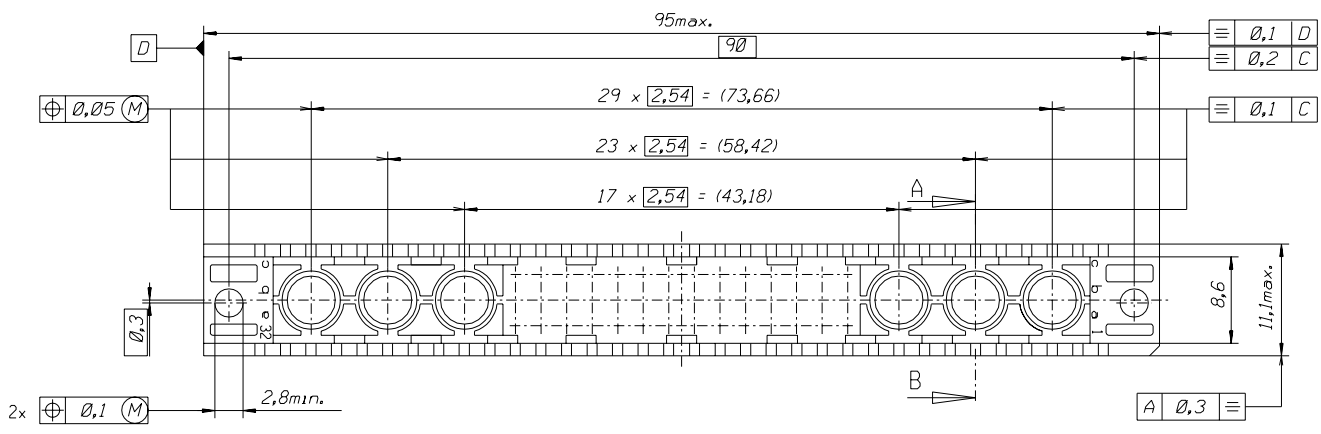
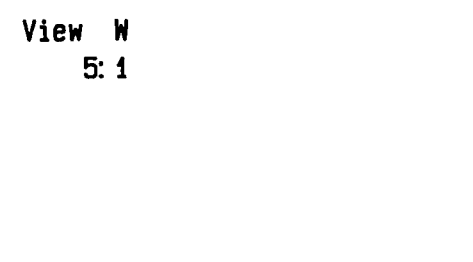
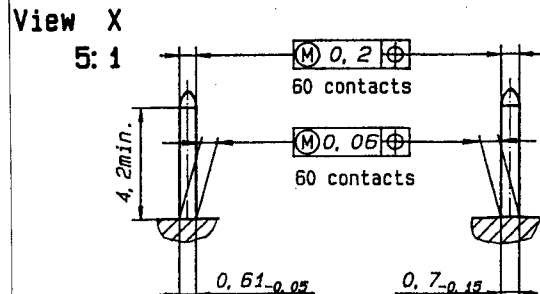
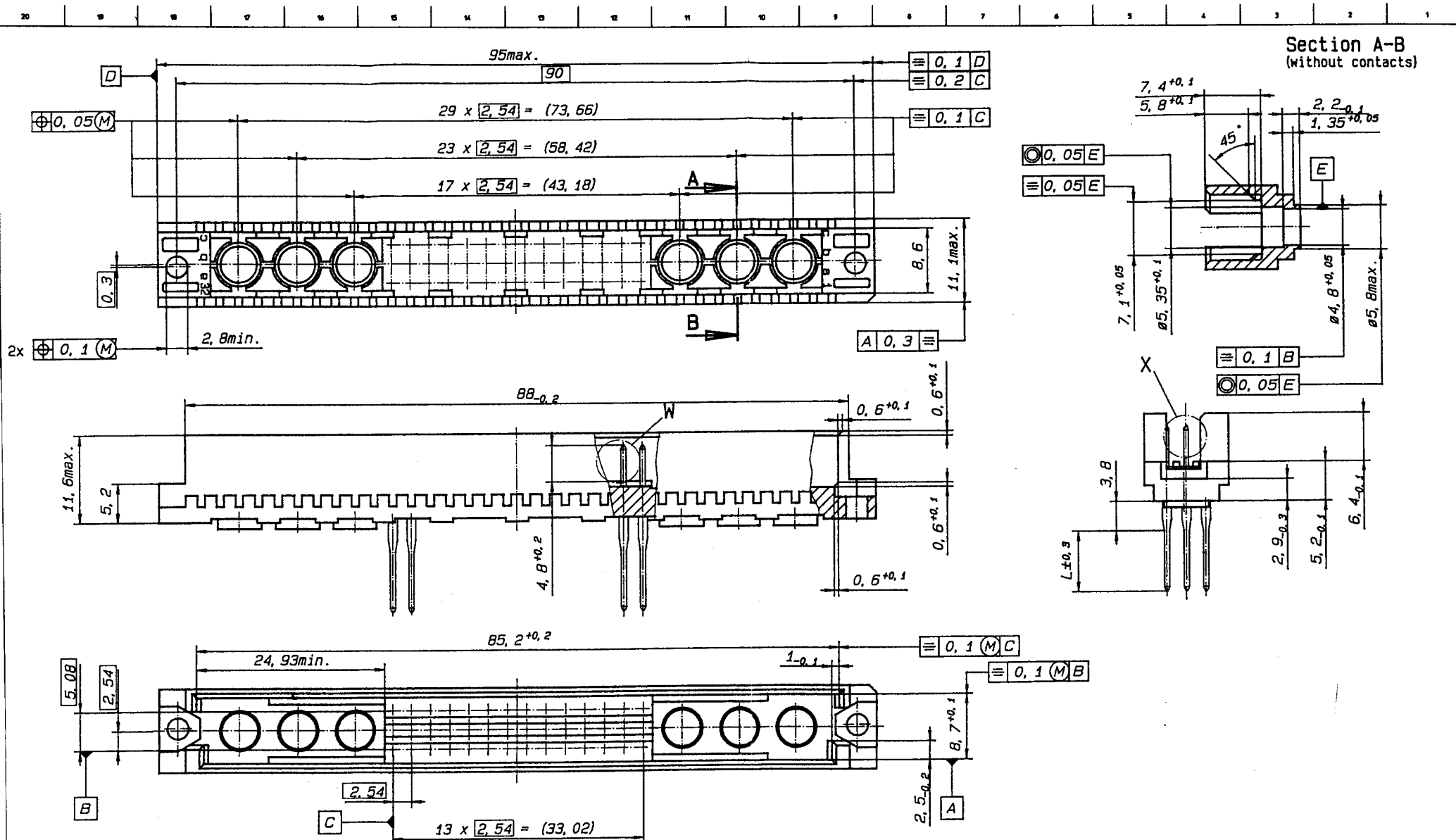


PART NO.
DWG. NO.

Section A-B
(without contacts)



FIRST ANGLE PROJECTION		REVISE ONLY ON CAD SYSTEM		SH.	REV.
UNLESS OTHERWISE SPECIFIED TOLERANCES: ANGULAR $\pm 2'$		DRWG BY	SIGN	CAD/CAM PROJECT NAME	
INCH		Ca		60393241	
METRIC		CHK'D BY	SIGN	THIS DRAWING CONTAINS INFORMATION THAT IS PROPRIETARY TO MOLEX INC. & SHOULD NOT BE USED WITHOUT WRITTEN PERMISSION	
3 PLACE \pm . \pm		KN		TITLE	
2 PLACE \pm . \pm		APP'D BY	SIGN	42 pos. Male connector DIN 41612 style M (C-Pin) inverted / Dimensions	
1 PLACE \pm . \pm		DRAFT WHERE APPLICABLE MUST REMAIN WITHIN DIMENSIONS		SHEET NO. DATE	
DESIGN DIMENSION <input type="checkbox"/> MM <input type="checkbox"/> IN.		SCALE		1 OF 3 93/05/04	
EQUIVALENT DIMENSION <input type="checkbox"/> MM <input type="checkbox"/> IN.		2:1		PART NO. DWG NO. SIZE	
IF TWO DIMENSIONS ARE SHOWN THE UPPER IS THE DESIGN DIMENSION, LOWER IS SECONDARY				see sh. no. 2 of 3 603-6093-24 B	



WE RELEASE
REFERENCE
USE ONLY

QUALITY SYMBOLS	GENERAL TOLERANCES (UNLESS SPECIFIED)		DIMENSION STYLE		SCALE	DESIGN UNITS	THIRD ANGLE PROJECTION
	mm	INCH	MM ONLY	NTS	METRIC		
$\nabla -0$	4 PLACES \pm	\pm	DRAWN BY	DATE	TITLE		
$\nabla -0$	3 PLACES ± 0.05	\pm	SHANKAR	2006/06/06	ASSY DIN 41612 STYLE M		
	2 PLACES ± 0.1	\pm	CHECKED BY	DATE	INVERTED, 42 POS MALE		
	1 PLACE ± 0.15	\pm	SSUDHIR	2006/06/06	C-PIN, CONNECTOR		
	ANGULAR $\pm 2^\circ$		APPROVED BY	DATE	MOLEX INCORPORATED		
			SSUDHIR	2006/06/06	DOCUMENT NO.		
					SD-85017-004		
					SHEET NO.		
					1 OF 3		

RoHS COMPLIANT

DRAFT WHERE APPLICABLE MUST REMAIN WITHIN DIMENSIONS

SEE SHEET 2

THIS DRAWING CONTAINS INFORMATION THAT IS PROPRIETARY TO MOLEX INCORPORATED AND SHOULD NOT BE USED WITHOUT WRITTEN PERMISSION

42P-6093-042V-9	85017-0402	yes	2	----- 2	1, 2, 3...14	a+b
42P-6093-0731-9	85017-0165	no	2	----- 2	1, 2, 3...14	a+b+c
42P-6093-0731-8	85017-0373	no	2	Wire wrap 9, 4	1, 2, 3...14	a+b+c
42P-6093-072V-9	85017-0074	yes	2	----- 2	1, 2, 3...14	a+b+c
42P-6093-072V-8	85017-0062	yes	2	Wire wrap 9, 4	1, 2, 3...14	a+b+c
42P-6093-072V-7	85017-0050	yes	2	Wire wrap 13, 3	1, 2, 3...14	a+b+c
42P-6093-072V-6	85017-0048	yes	2	Wire wrap 16, 4	1, 2, 3...14	a+b+c
42P-6093-0722-9	85017-0000	no	1	----- 2	1, 2, 3...14	a+b+c
42P-6093-071V-9	85017-0359	yes	1	----- 2	1, 2, 3...14	a+b+c
42P-6093-0431-9	85017-0256	no	2	----- 2	1, 2, 3...14	a+b
Engineering number	Ordering code	Molex std.	Perform.level hard gold acc.MIL-G45204	Termination / L	Contact sequence / row	



RoHS COMPLIANT

EC NO: 2006-0679 DRAWN BY: SHANKAR CHECKED BY: SSUDHIR APPROVED BY: SSUDHIR DATE: 2006/06/06	QUALITY SYMBOLS ▽=0 ▽-0	GENERAL TOLERANCES (UNLESS SPECIFIED) mm INCH		DIMENSION STYLE MM ONLY	SCALE NTS	DESIGN UNITS METRIC	THIRD ANGLE PROJECTION
		4 PLACES ± 3 PLACES ± 2 PLACES ± 1 PLACE ±	ANGULAR ±	DRAWN BY: SHANKAR DATE: 2006/06/06 CHECKED BY: SSUDHIR DATE: 2006/06/06 APPROVED BY: SSUDHIR DATE: 2006/06/06	MATERIAL NO. SEE CHART	DOCUMENT NO. SD-85017-004	SHEET NO. 2 OF 3
DRAFT WHERE APPLICABLE MUST REMAIN WITHIN DIMENSIONS							
THIS DRAWING CONTAINS INFORMATION THAT IS PROPRIETARY TO MOLEX INCORPORATED AND SHOULD NOT BE USED WITHOUT WRITTEN PERMISSION							

- 1. General : Technical Data
42pos. Male connector acc.DIN 41612 style M inverted
(C-Pin)
- 2. Material :
- 2.1 Moulding material : Thermoplastic Polyester GV30 grey RAL 7032
- 2.1.1 Moulding material
burning properties acc. to UL94 V0
- 2.1.2 Resistance against
solvents : good
- 2.2 Pin contact : CuSn
- 2.2.1 Contact plating : Performance level I or II (Test acc.DIN 41612 part.5)
- 3. Printing : Part.No., date of manufacturing



RoHS COMPLIANT

EC NO: 12006-0679 DRW: SHANKAR 2006/06/06 CHKD: SSUDHIR 2006/06/06 APPR: SSUDHIR 2006/06/06	QUALITY SYMBOLS ▽-0 ▽-0	GENERAL TOLERANCES (UNLESS SPECIFIED) mm INCH		DIMENSION STYLE MM ONLY	SCALE NTS	DESIGN UNITS METRIC	THIRD ANGLE PROJECTION
		4 PLACES ± 3 PLACES ± 2 PLACES ± 1 PLACE ±	DRAWN BY SHANKAR 2006/06/06 CHECKED BY SSUDHIR 2006/06/06 APPROVED BY SSUDHIR 2006/06/06	TITLE ASSY DIN 41612 STYLE M INVERTED, 42 POS MALE C-PIN CONNECTOR		MOLEX INCORPORATED	
DRAFT WHERE APPLICABLE MUST REMAIN WITHIN DIMENSIONS		SEE SHEET 2		DOCUMENT NO. SD-85017-004		THIS DRAWING CONTAINS INFORMATION THAT IS PROPRIETARY TO MOLEX INCORPORATED AND SHOULD NOT BE USED WITHOUT WRITTEN PERMISSION	