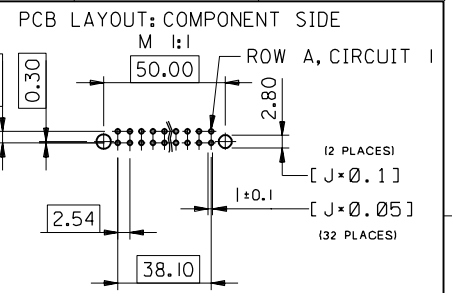
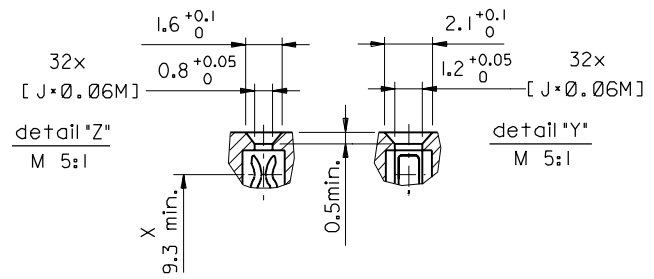
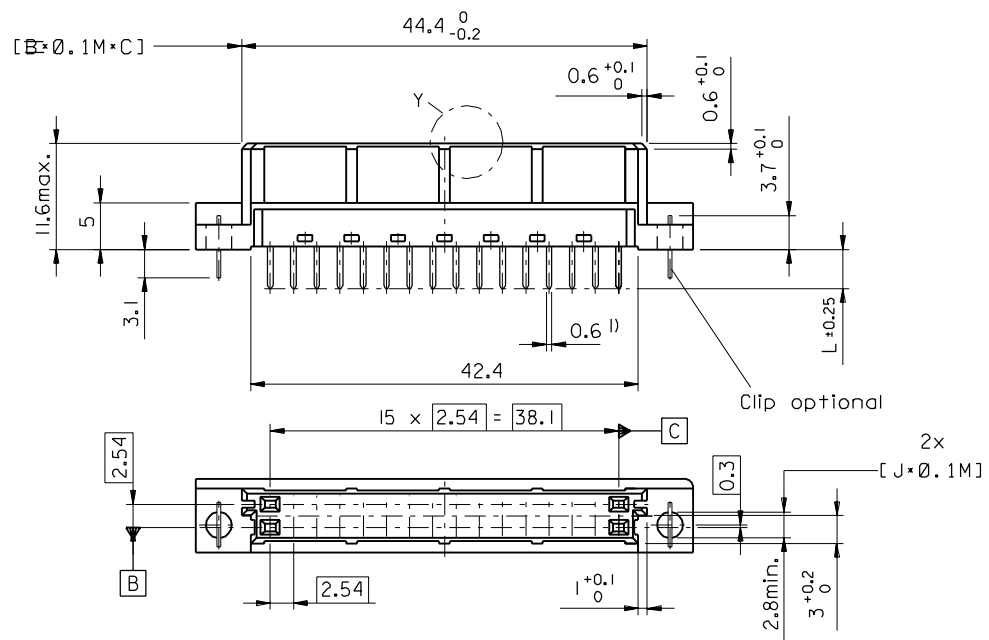
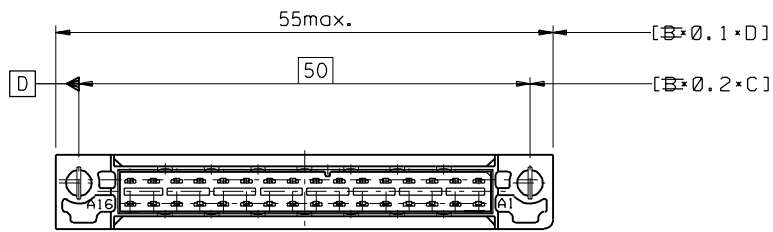
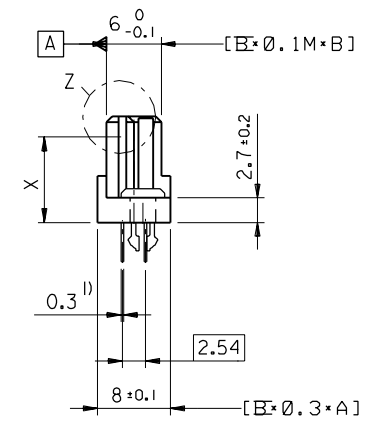


PART NO.
DWG. NO.



1) tails to fit in PC-board layout



FIRST ANGLE PROJECTION

UNLESS OTHERWISE SPECIFIED TOLERANCES: ANGULAR ±2°	DRWG BY	SIGN
INCH	KN	
METRIC	CHK'D BY	SIGN
	Ca	
DRAFT WHERE APPLICABLE MUST REMAIN WITHIN DIMENSIONS	APP'D BY	SIGN
DESIGN DIMENSION	FB	
<input checked="" type="checkbox"/> MM	SCALE	
<input type="checkbox"/> IN.	2:1	
EQUIVALENT DIMENSION		
<input type="checkbox"/> MM		
<input type="checkbox"/> IN.		
IF TWO DIMENSIONS ARE SHOWN THE UPPER IS THE DESIGN DIMENSION, LOWER IS SECONDARY		

REVISE ONLY ON CAD SYSTEM

CAECAM PROJECT NAME 85040000 s21	THIS DRAWING CONTAINS INFORMATION THAT IS PROPRIETARY TO MOLEX INC. & SHOULD NOT BE USED WITHOUT WRITTEN PERMISSION	SH.	REV.
TITLE 32pos. Female connector DIN 41612 style B/2, with clip, Dimensions			
MOLEX EUROPE		SHEET NO. DATE 1 OF 1 96/04/23	
PART NO.	DWG NO. SDA-85040-0002	SIZE B	

ECN MG1998-2727 new fixing clip 98-04-14 Co	REVISIONS
	3 PLACE ± ±
	2 PLACE ± ±
	1 PLACE ± ±
LTR	FOR PREVIOUS REVISIONS SEE MRI LIST

