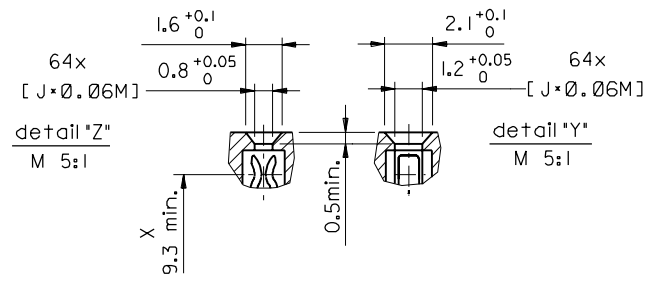
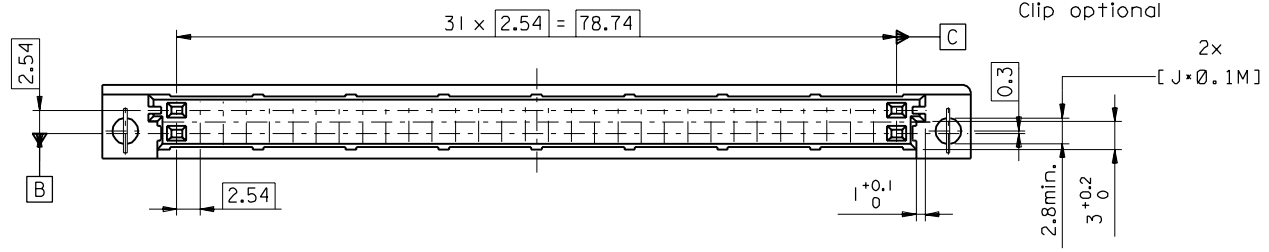
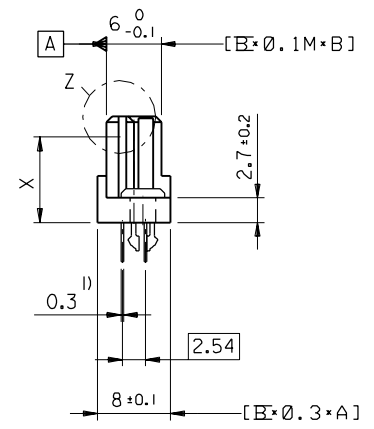
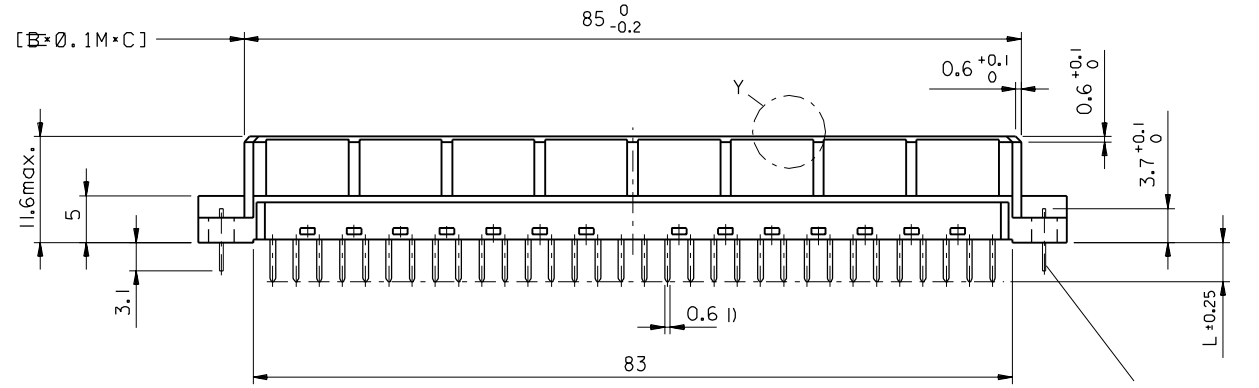


1) tails to fit in PC-board layout



| | | | |
|---|-----------|---|--|
| ECN MG1998-2727 new fixing clip 98-04-14 Co | REVISIONS | 3 PLACE ± | ± |
| | | 2 PLACE ± | ± |
| C | LTR | 1 PLACE ± | ± |
| | | DRAFT WHERE APPLICABLE MUST REMAIN WITHIN DIMENSIONS | |
| | | DESIGN DIMENSION | <input checked="" type="checkbox"/> MM |
| | | | <input type="checkbox"/> IN. |
| | | EQUIVALENT DIMENSION | <input type="checkbox"/> MM |
| | | | <input type="checkbox"/> IN. |
| | | IF TWO DIMENSIONS ARE SHOWN THE UPPER IS THE DESIGN DIMENSION, LOWER IS SECONDARY | |

| | | | | | |
|------------------------|------|--|---|-----------|----------|
| FIRST ANGLE PROJECTION | | REVISE ONLY ON CAD SYSTEM | | SH. | REV. |
| DRWG BY | SIGN | CAECAM PROJECT NAME | THIS DRAWING CONTAINS INFORMATION THAT IS PROPRIETARY TO MOLEX INC. & SHOULD NOT BE USED WITHOUT WRITTEN PERMISSION | | |
| KN | | 85040000 611 | | | |
| CHK'D BY | SIGN | TITLE | | | |
| Ca | | 64 pos. Female connector DIN 41612 style B + clip Dimensions | | | |
| APP'D BY | SIGN | MOLEX EUROPE | | SHEET NO. | DATE |
| JB | | MOLEX EUROPE | | 1 OF 1 | 95/11/14 |
| SCALE | | PART NO. | DWG NO. | SIZE | |
| 2:1 | | SDA-85040-0001 | | B | |

VIEW ON MATING SIDE

| | | | | | | | | | | | | | | | | | | | | | | | | | |
|---|---|---|---|---|---|---|---|---|---|----|----|----|----|----|----|----|----|----|----|----|----|----|----|----|---|
| ∞ | A | A | A | A | A | A | A | A | A | A | A | A | A | A | A | A | A | A | A | A | A | A | A | A | A |
| ∞ | A | A | A | A | A | A | A | A | A | A | A | A | A | A | A | A | A | A | A | A | A | A | A | A | A |
| ∞ | 1 | 2 | 3 | 4 | 5 | 6 | 7 | 8 | 9 | 10 | 11 | 12 | 13 | 14 | 15 | 16 | 17 | 18 | 19 | 20 | 21 | 22 | 23 | 24 | |

A = 64 CONTACTS L=4,5

| | |
|-------------------|--|
| Marking | Standard |
| Performance level | G2/0 = Contact area level2 / Termination tin |
| Flux proof | no |
| Fixing clip | no |
| Dimensions | SDA-85040-0001 sht.1 |
| Technical Data | PS-85042-0001 |

| | | | |
|----------------|----------------|-------------------------|-------|
| A | G2/0 | a1-32 | bl-32 |
| Contact symbol | Perform. level | Contact position number | |

| | | | | | |
|--|---|-------------------------------------|----------|---|-------|
| ECN 2264 Produkt spec. 96-10-18 KN | REVISIONS | FOR PREVIOUS REVISIONS SEE MRI LIST | | | |
| | LTR | ∇1 | | | |
| | | | | | |
| UNLESS OTHERWISE SPECIFIED TOLERANCES: ANGULAR ± 2° INCH METRIC | | DRWG BY | CHK'D BY | APP'D BY | SCALE |
| 3 PLACE ± . | ± | Cc | KN | | |
| 2 PLACE ± . | ± | | | | |
| 1 PLACE ± . | ± | | | | |
| DRAFT WHERE APPLICABLE MUST REMAIN WITHIN DIMENSIONS | | SIGN | | | |
| DESIGN DIMENSION | <input type="checkbox"/> MM <input type="checkbox"/> IN. | SIGN | | | |
| EQUIVALENT DIMENSION | <input type="checkbox"/> MM <input type="checkbox"/> IN. | SIGN | | | |
| IF TWO DIMENSIONS ARE SHOWN, THE UPPER IS THE DESIGN DIMENSION, LOWER IS SECONDARY | | | | | |
| REVISE ONLY ON CAD SYSTEM | | SH. REV. | | SH. REV. | |
| CAD/CAM PROJECT NAME | | s8504000 | | THIS DRAWING CONTAINS PROPRIETARY TO MOLEX INC. & SHOULD NOT BE USED WITHOUT WRITTEN PERMISSION | |
| TITLE | | s51 | | SHEET NO. DATE | |
| 64 pos. female connector acc. DIN 41612 style B contacts arrangement | | MOLEX EUROPE | | 1 OF 1 96/05/15 | |
| | | PART NO. | | DWG NO. | |
| | | 85040-0050 | | SDA-85040-0050 | |
| | | | | SIZE A | |