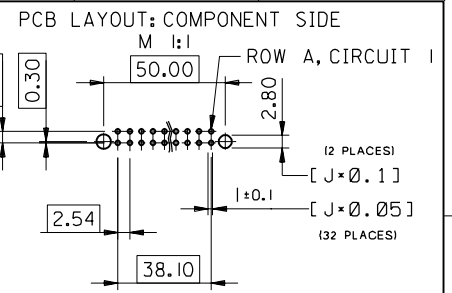
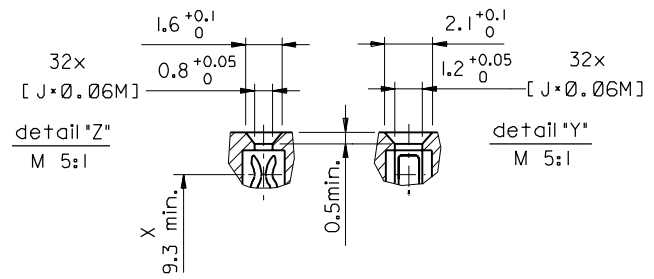
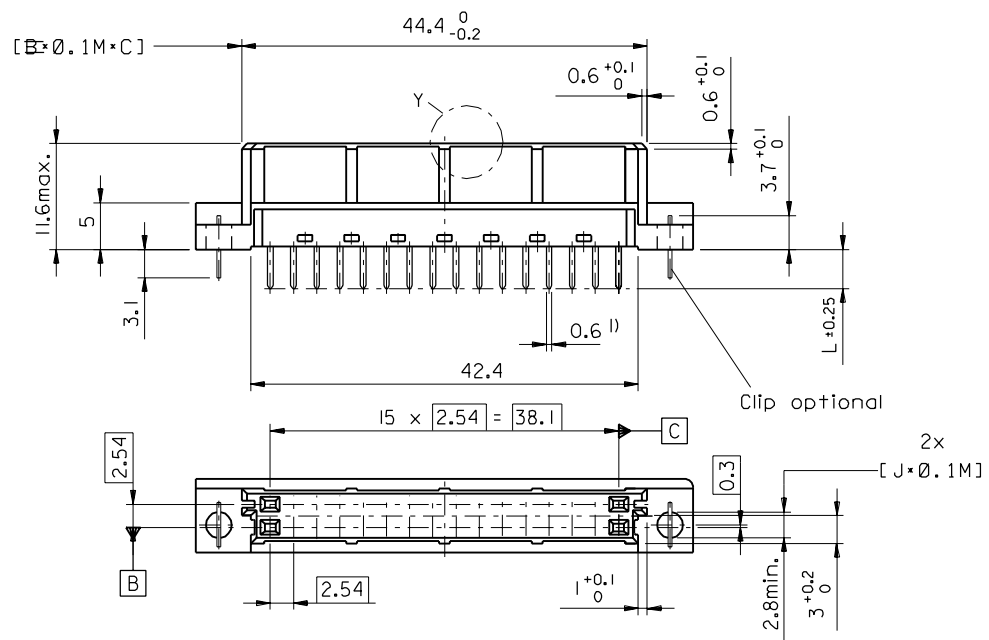
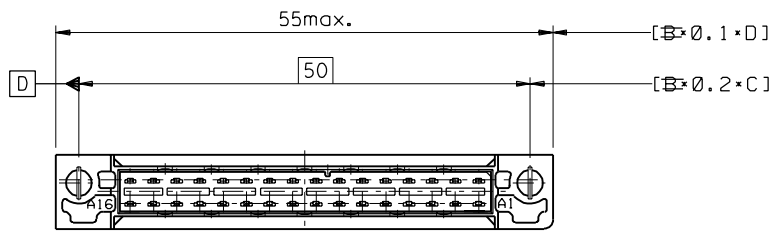
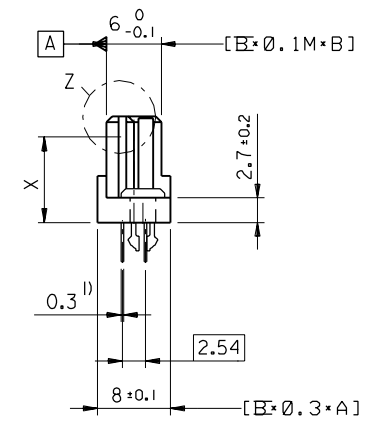


PART NO.
DWG. NO.



1) tails to fit in PC-board layout



FIRST ANGLE PROJECTION

| | | |
|---|----------|------|
| UNLESS OTHERWISE SPECIFIED TOLERANCES: ANGULAR ±2° | DRWG BY | SIGN |
| INCH | KN | |
| METRIC | CHK'D BY | SIGN |
| | Ca | |
| DRAFT WHERE APPLICABLE MUST REMAIN WITHIN DIMENSIONS | APP'D BY | SIGN |
| DESIGN DIMENSION | FB | |
| <input checked="" type="checkbox"/> MM | SCALE | |
| <input type="checkbox"/> IN. | 2:1 | |
| EQUIVALENT DIMENSION | | |
| <input type="checkbox"/> MM | | |
| <input type="checkbox"/> IN. | | |
| IF TWO DIMENSIONS ARE SHOWN THE UPPER IS THE DESIGN DIMENSION, LOWER IS SECONDARY | | |

REVISE ONLY ON CAD SYSTEM

| | | | |
|---|---|------------------------------------|------|
| CAECAM PROJECT NAME 85040000 s21 | THIS DRAWING CONTAINS INFORMATION THAT IS PROPRIETARY TO MOLEX INC. & SHOULD NOT BE USED WITHOUT WRITTEN PERMISSION | SH. | REV. |
| TITLE 32pos. Female connector DIN 41612 style B/2, with clip, Dimensions | | SHEET NO. DATE 1 OF 1 96/04/23 | |
| MOLEX MOLEX EUROPE | | PART NO. DWG NO. SDA-85040-0002 | |
| SIZE B | | | |

| | |
|---|-------------|
| ECN MG1998-2727 new fixing clip 98-04-14 Co | REVISIONS |
| | 3 PLACE ± ± |
| | 2 PLACE ± ± |
| | 1 PLACE ± ± |
| LTR | |

VIEW ON MATING SIDE

| | | | | | | | | | |
|---|---|---|---|---|---|---|---|---|---|
| ∞ | A | A | A | A | A | A | A | A | A |
| ◁ | A | A | A | A | A | A | A | A | A |

1 2 3 4 5 6 7 8 9 10 11 12 13 14 15 16 17 18 19 20 21 22 23 24 25 26 27 28 29 30 31 32

A = 16 CONTACTS L=4,5

| | |
|-------------------|--|
| Marking | Standard |
| Performance level | G2/0 = Contact area level2 / Termination tin |
| Flux proof | no |
| Fixing clip | no |
| Dimensions | SDA-85040-0002 sht.1 |
| Technical Data | PS-85042-0001 |

| | | | |
|----------------|----------------|-------------------------|-------------|
| A | G2/0 | a2,4,6...16 | b2,4,6...16 |
| Contact symbol | Perform. level | Contact position number | |

| | | |
|----------|---------------|-------------|
| ECN 2264 | Produkt spec. | 96-10-18 KN |
| Δ-1 | LTR | REVISIONS |

FOR PREVIOUS REVISIONS SEE MRI LIST

UNLESS OTHERWISE SPECIFIED TOLERANCES: ANGULAR ± 2°
INCH METRIC

| | |
|-------------|---|
| 3 PLACE ± . | ± |
| 2 PLACE ± . | ± |
| 1 PLACE ± . | ± |

DRAFT WHERE APPLICABLE MUST REMAIN WITHIN DIMENSIONS

DESIGN DIMENSION MM IN.
EQUIVALENT DIMENSION MM IN.
IF TWO DIMENSIONS ARE SHOWN, THE UPPER IS THE DESIGN DIMENSION, LOWER IS SECONDARY

| | | |
|----------|----|------|
| DRWG BY | CC | SIGN |
| CHK'D BY | KN | SIGN |
| APP'D BY | | SIGN |
| SCALE | | |

| | |
|---|---|
| REVISIONS ONLY ON CAD SYSTEM | SH. REV. |
| CAD/CAM PROJECT NAME S8504010 S01 | THIS DRAWING CONTAINS INFORMATION THAT IS PROPRIETARY TO MOLEX INC. & SHOULD NOT BE USED WITHOUT WRITTEN PERMISSION |
| TITLE 32 pos. female connector acc. DIN 41612 style B/2 contacts arrangement | SHEET NO. DATE 1 OF 1 96/05/15 |
| molex® MOLEX EUROPE | DWG NO. PART NO. 85040-1005 SDA-85040-1005 |
| SIZE | A |