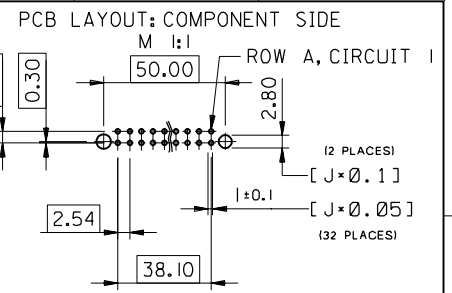
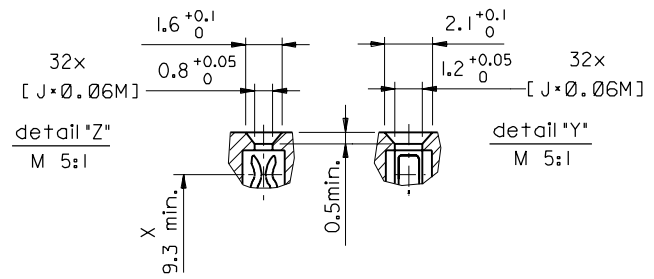
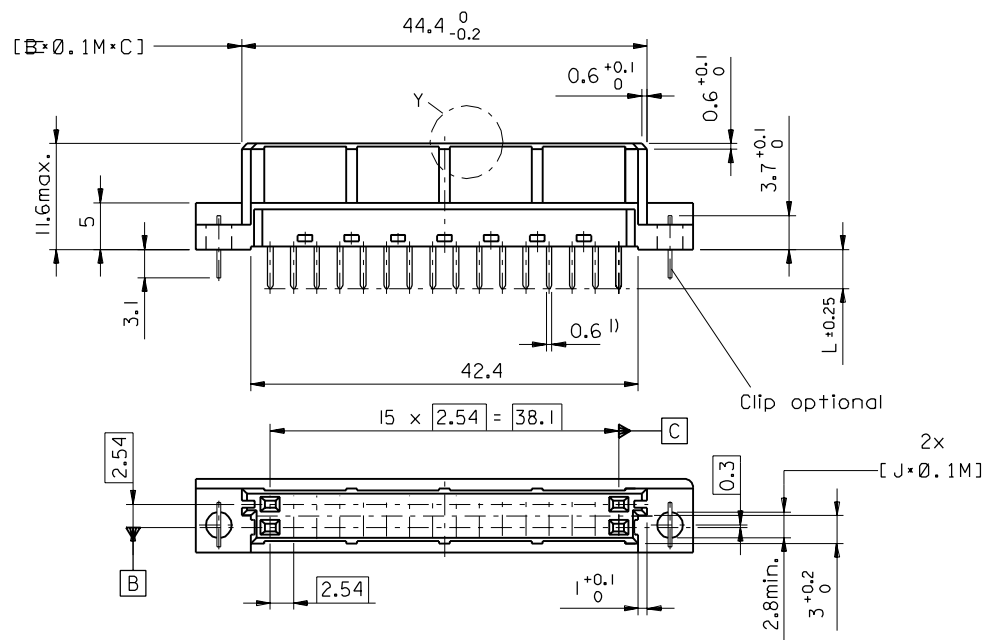
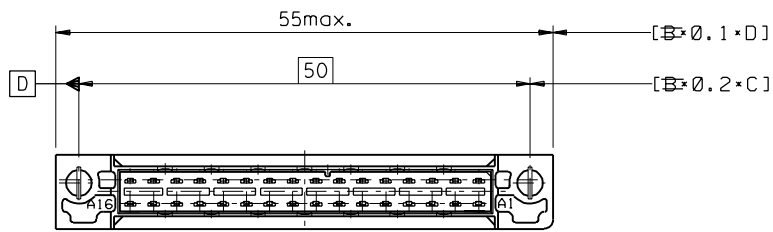
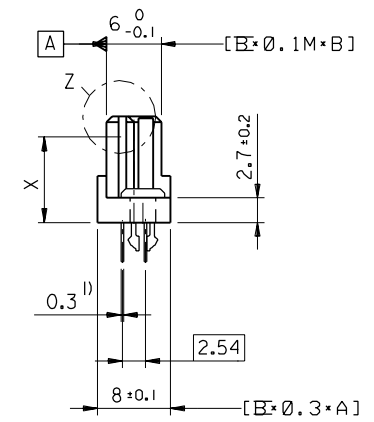


PART NO.
DWG. NO.



1) tails to fit in PC-board layout



FIRST ANGLE PROJECTION		DRWG BY	SIGN
UNLESS OTHERWISE SPECIFIED TOLERANCES: ANGULAR ±2°		KN	
INCH METRIC		CHK'D BY	SIGN
3 PLACE ±	±	Ca	
2 PLACE ±	±	APP'D BY	SIGN
1 PLACE ±	±	FB	
DRAFT WHERE APPLICABLE MUST REMAIN WITHIN DIMENSIONS		SCALE	
DESIGN DIMENSION	<input checked="" type="checkbox"/> MM	2:1	
	<input type="checkbox"/> IN.		
EQUIVALENT DIMENSION	<input type="checkbox"/> MM		
	<input type="checkbox"/> IN.		
IF TWO DIMENSIONS ARE SHOWN THE UPPER IS THE DESIGN DIMENSION, LOWER IS SECONDARY			

REVISE ONLY ON CAD SYSTEM		SH.	REV.
CAD/CAM PROJECT NAME 85040000 s21			
THIS DRAWING CONTAINS INFORMATION THAT IS PROPRIETARY TO MOLEX INC. & SHOULD NOT BE USED WITHOUT WRITTEN PERMISSION			
TITLE 32pos. Female connector DIN 41612 style B/2, with clip, Dimensions			
MOLEX MOLEX EUROPE		SHEET NO. DATE	
		1 OF 1	96/04/23
PART NO.	DWG NO.	SIZE	
SDA-85040-0002		B	

ECN MG1998-2727 new fixing clip 98-04-14 Co	LTR	REVISIONS
C		