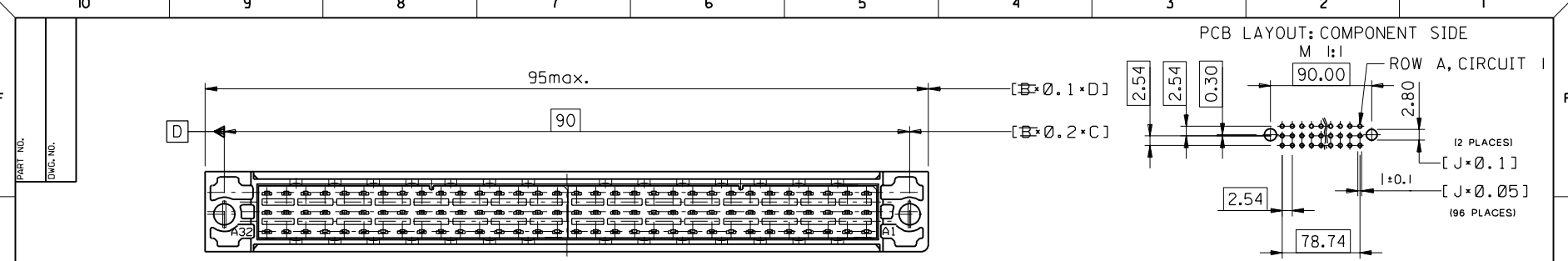
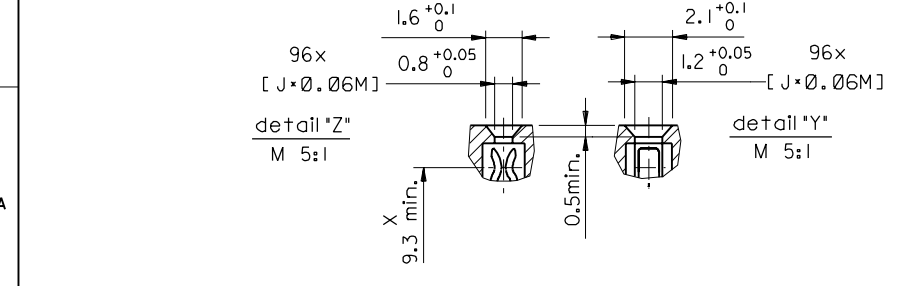
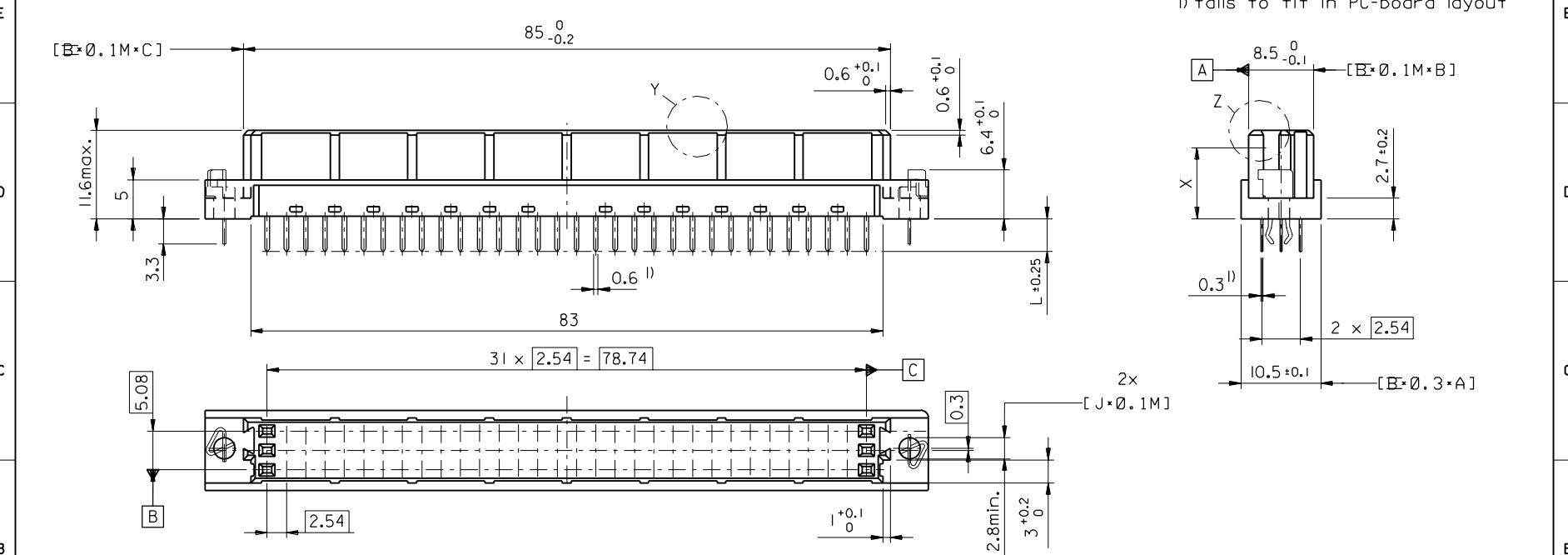


PART NO.
DWG. NO.



1) tails to fit in PC-board layout



| | | | | | |
|---|--|---------------------------|--|--------------------------|------|
| FIRST ANGLE PROJECTION | | REVISE ONLY ON CAD SYSTEM | | 2 | B |
| UNLESS OTHERWISE SPECIFIED TOLERANCES: ANGULAR ±2° | | CAD/CAM PROJECT NAME | | SH. | REV. |
| INCH | | 85042000 | | | |
| METRIC | | 611 | | | |
| 3 PLACE ± | | TITLE | | 96 pos. female connector | |
| 2 PLACE ± | | DIN 41612 style C + clip | | Dimensions | |
| 1 PLACE ± | | MOLEX EUROPE | | SHEET NO. DATE | |
| DRAFT WHERE APPLICABLE MUST REMAIN WITHIN DIMENSIONS | | SCALE | | 1 of 2 96/04/25 | |
| DESIGN DIMENSION <input checked="" type="checkbox"/> MM | | PART NO. | | DWG NO. | |
| EQUIVALENT DIMENSION <input type="checkbox"/> MM | | SDA-85042-0001 | | SIZE | |
| FOR PREVIOUS REVISIONS SEE MRI LIST | | SCALE | | B | |
| IF TWO DIMENSIONS ARE SHOWN THE UPPER IS THE DESIGN DIMENSION, LOWER IS SECONDARY | | 2:1 | | | |

