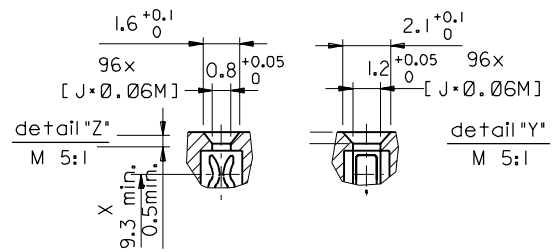
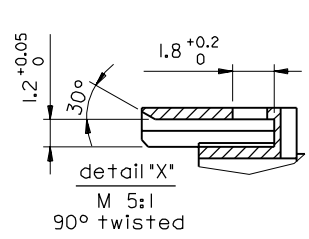
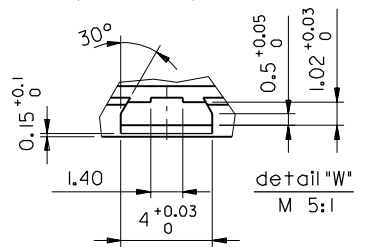
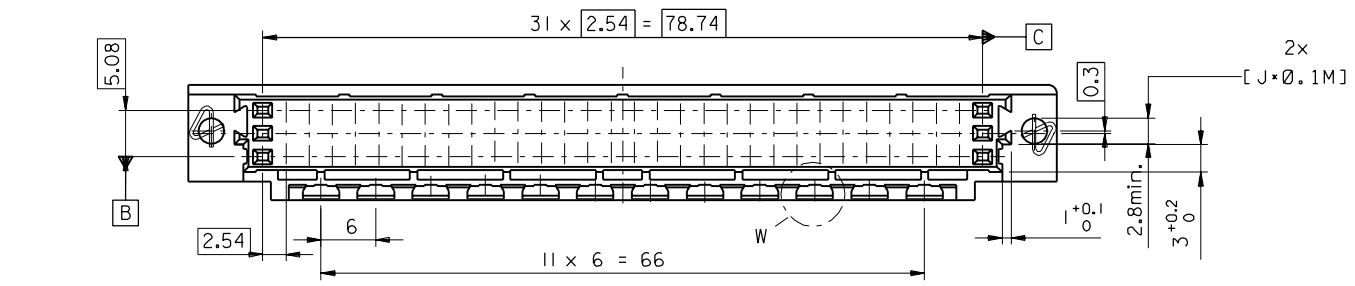
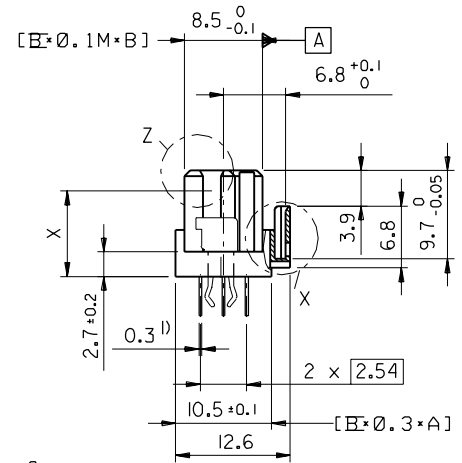
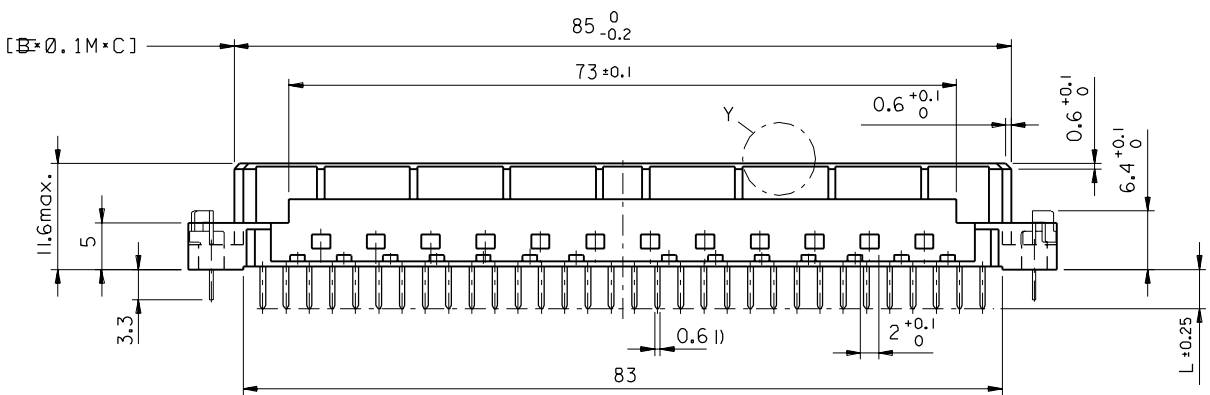


l) tails to fit in PC-board layout



FIRST ANGLE PROJECTION

REVISE ONLY ON CAD SYSTEM

| | | |
|---|--|------------------------------|
| ECN MG1998-2583 | Schraube, Lochbild | 97-09-17 KN |
| B | LTR | REVISIONS |
| FOR PREVIOUS REVISIONS SEE MRI LIST | | |
| UNLESS OTHERWISE SPECIFIED TOLERANCES: ANGULAR ±2° | | |
| 3 PLACE ± | ± | ± |
| 2 PLACE ± | ± | ± |
| 1 PLACE ± | ± | ± |
| DRAFT WHERE APPLICABLE MUST REMAIN WITHIN DIMENSIONS | | |
| DESIGN DIMENSION | <input checked="" type="checkbox"/> MM | <input type="checkbox"/> IN. |
| EQUIVALENT DIMENSION | <input type="checkbox"/> MM | <input type="checkbox"/> IN. |
| IF TWO DIMENSIONS ARE SHOWN THE UPPER IS THE DESIGN DIMENSION, LOWER IS SECONDARY | | |

| | | |
|----------|-----|------|
| DRWG BY | KN | SIGN |
| CHK'D BY | Ca | SIGN |
| APP'D BY | JB | SIGN |
| SCALE | 2:1 | |

| | | |
|----------------------|--|---|
| CAD/CAM PROJECT NAME | 85042000 s12 | THIS DRAWING CONTAINS INFORMATION THAT IS PROPRIETARY TO MOLEX INC. & SHOULD NOT BE USED WITHOUT WRITTEN PERMISSION |
| TITLE | 96 pos. female connector DIN 41612 style C, + clip with coding, dimensions | |
| MOLEX MOLEX EUROPE | | SHEET NO. DATE 2 of 2 96/04/30 |
| PART NO. | DWG NO. | SIZE |
| SDA-85042-0001 | | B |

