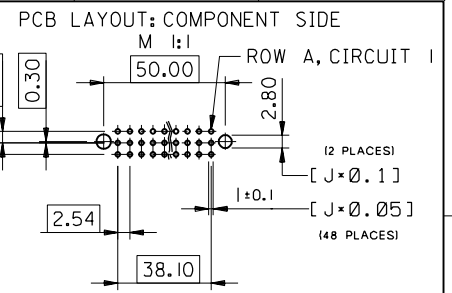
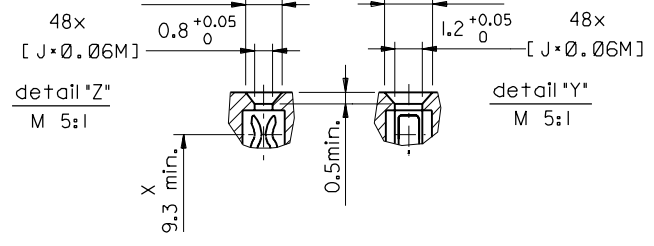
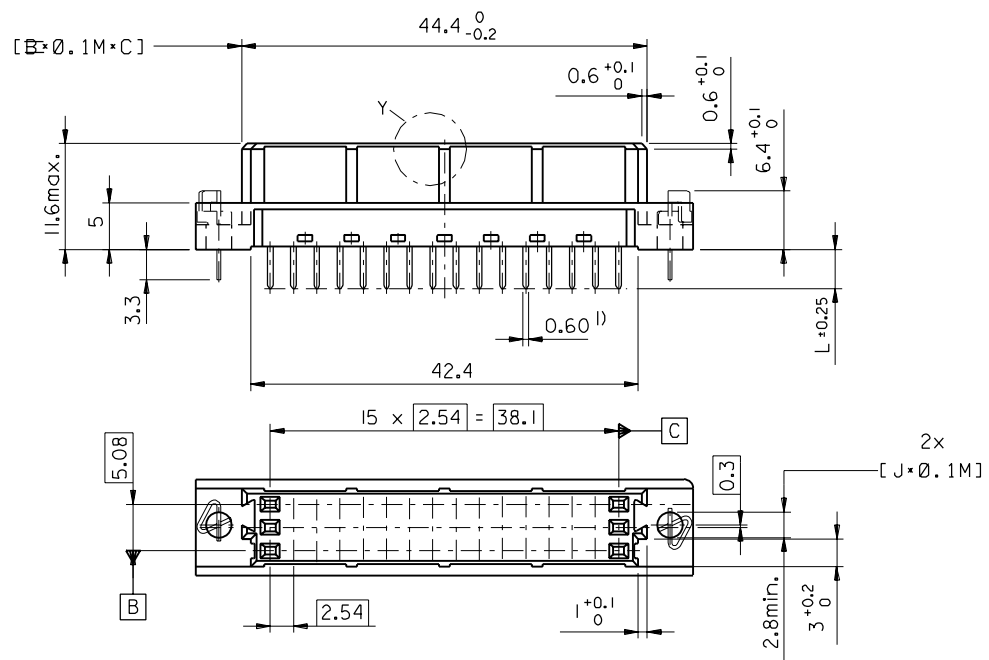
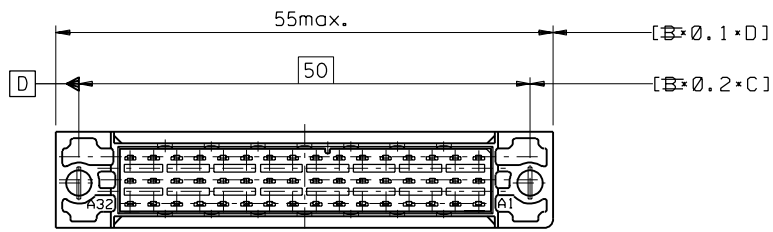
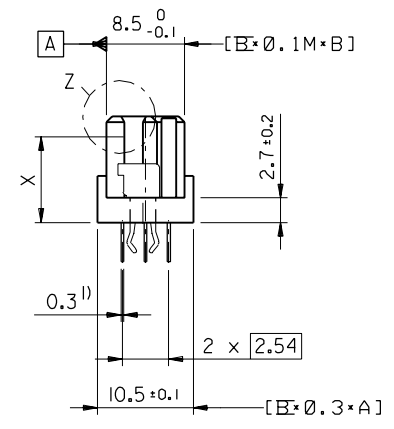


ENTER DESCRIPTION EC NO: I2009-0082 2008/08/20 DRWNS:J CHKD:KPRASAD 2008/08/25 APPR:KPRASAD 2008/08/26	QUALITY SYMBOLS ▽=0 ▽=0	GENERAL TOLERANCES (UNLESS SPECIFIED)		DIMENSION STYLE MM ONLY	SCALE ---	DESIGN UNITS METRIC	THIRD ANGLE PROJECTION
		4 PLACES ±--- ±--- 3 PLACES ±--- ±--- 2 PLACES ±--- ±--- 1 PLACE ±--- ±--- ANGULAR ±---°	mm INCH ±--- ±--- ±--- ±--- ±--- ±--- ±--- ±---	DRAWN BY SUMESH DATE 2008/08/13 CHECKED BY KPRASAD DATE 2008/08/13 APPROVED BY KPRASAD DATE 2008/08/13 MATERIAL NO. 850426115	TITLE 48 POS. FEMALE CONNECTOR DIN 41612, STYLE C/2 DIMENSIONS MOLEX INCORPORATED DOCUMENT NO. SD-85042-0002	SHEET NO. 1 OF 1	
DRAFT WHERE APPLICABLE MUST REMAIN WITHIN DIMENSIONS		THIS DRAWING CONTAINS INFORMATION THAT IS PROPRIETARY TO MOLEX INCORPORATED AND SHOULD NOT BE USED WITHOUT WRITTEN PERMISSION					

PART NO.
DWG. NO.



1) tails to fit in PC-board layout



FIRST ANGLE PROJECTION		REVISE ONLY ON CAD SYSTEM		SH.	REV.
UNLESS OTHERWISE SPECIFIED TOLERANCES: ANGULAR ±2°		DRWG BY	SIGN	CAD/CAM PROJECT NAME	
INCH METRIC		KN		84042000	
3 PLACE ±	±	CHK'D BY	SIGN	THIS DRAWING CONTAINS INFORMATION THAT IS PROPRIETARY TO MOLEX INC. & SHOULD NOT BE USED WITHOUT WRITTEN PERMISSION	
2 PLACE ±	±	Ca		TITLE	
1 PLACE ±	±	APP'D BY	SIGN	48 pos. female connector	
DRAFT WHERE APPLICABLE MUST REMAIN WITHIN DIMENSIONS		JB		DIN 41612 style C/2+ clip	
DESIGN DIMENSION	<input checked="" type="checkbox"/> MM	SCALE		Dimensions	
EQUIVALENT DIMENSION	<input type="checkbox"/> MM	2:1		MOLEX EUROPE	
IF TWO DIMENSIONS ARE SHOWN THE UPPER IS THE DESIGN DIMENSION, LOWER IS SECONDARY				SHEET NO.	DATE
				1 OF 1	96/04/29
				PART NO.	DWG NO.
				SDA-85042-0002	SIZE
					B

ECN MG1998-2583
Schrage, Lochbild
97-09-17 KN

REVISIONS

LTR

VIEW ON MATING SIDE

U	A	A	A	A	A	A	A	A	A	A	A	A	A	A	A	A	A	A	A
∞	A	A	A	A	A	A	A	A	A	A	A	A	A	A	A	A	A	A	A
◄	A	A	A	A	A	A	A	A	A	A	A	A	A	A	A	A	A	A	A

1 2 3 4 5 6 7 8 9 10 11 12 13 14 15 16 17 18 19 20 21 22 23 24 25 26 27 28 29 30 31 32 33 34 35 36 37 38 39 40 41 42 43 44 45 46 47 48

A = 48 STANDARD CONTACTS L=4,5

Marking	Standard
Performance level	G2/0 = Contact area level2 / Termination tin
Flux proof	yes
Fixing clip	no
Dimensions	SDA-85042-0002 sht.1
Technical Data	PS-85042-0001

A	G2/0	a1-l6	b1-l6	c1-l6
Contact symbol	Perform. level	Contact position number		

first release see ECN No. 2154	REVISIONS		FOR PREVIOUS REVISIONS SEE MRI LIST	
	LTR	DESCRIPTION	DATE	BY

UNLESS OTHERWISE SPECIFIED TOLERANCES: ANGULAR ± 2°	DRWG BY	SIGN	SH. REV.
INCH	Cc		THIS DRAWING CONTAINS INFORMATION THAT IS PROPRIETARY TO MOLEX INC. & SHOULD NOT BE USED WITHOUT WRITTEN PERMISSION
METRIC	CHK'D BY	SIGN	
3 PLACE ± .	KN		
2 PLACE ± .	APP'D BY	SIGN	
1 PLACE ± .			
DRAFT WHERE APPLICABLE MUST REMAIN WITHIN DIMENSIONS	SCALE		
DESIGN DIMENSION <input type="checkbox"/> MM <input type="checkbox"/> IN.			
EQUIVALENT DIMENSION <input type="checkbox"/> MM <input type="checkbox"/> IN.			
IF TWO DIMENSIONS ARE SHOWN, THE UPPER IS THE DESIGN DIMENSION, LOWER IS SECONDARY			

REVISE ONLY ON CAD SYSTEM	SHEET NO.	DATE
CAD/CAM PROJECT NAME	1 OF 1	96/05/23
s8504209		
s51		
TITLE		
48 pos. female connector		
acc. DIN 41612 style C/2		
contacts arrangement		
MOLEX EUROPE		DWG NO.
		SDA-85042-0957
PART NO.	85042-0957	SIZE
		A