

PART NO.  
DWG. NO.

F

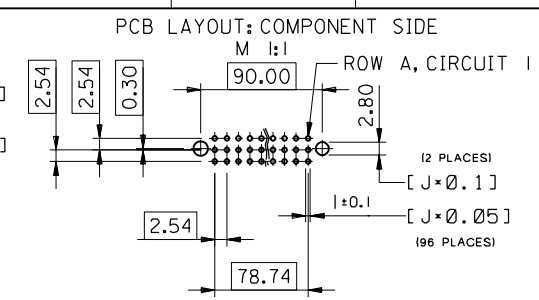
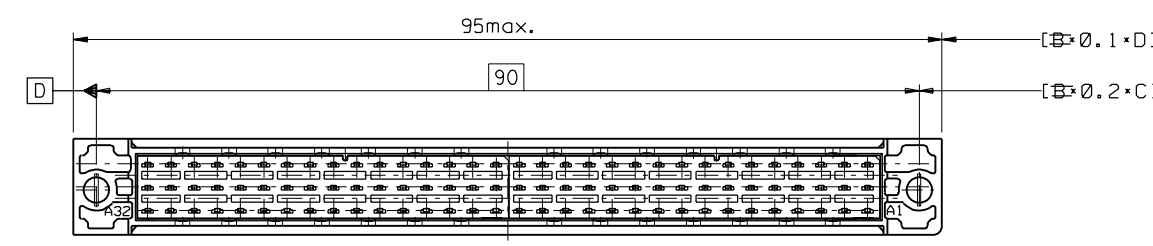
E

D

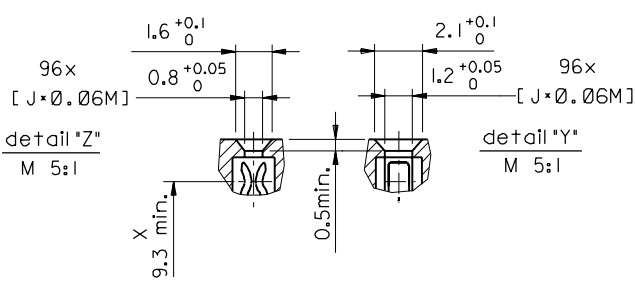
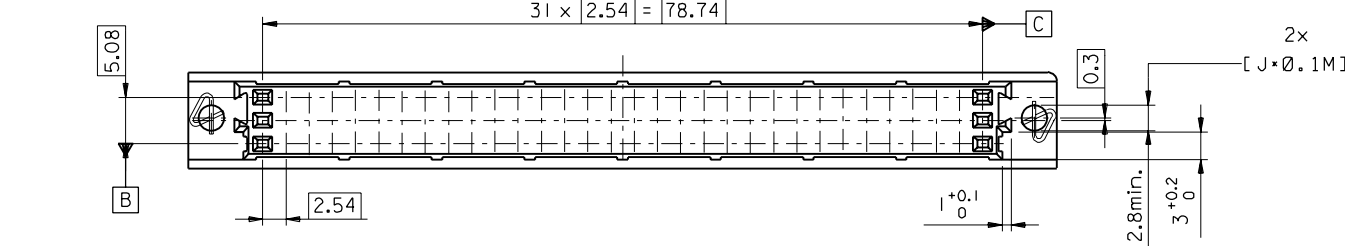
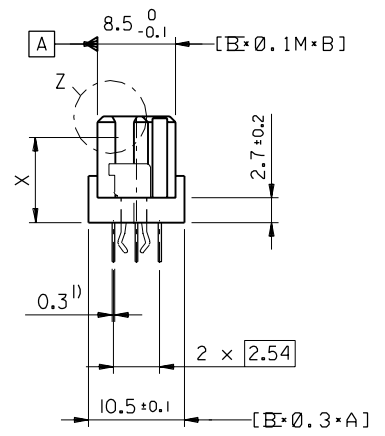
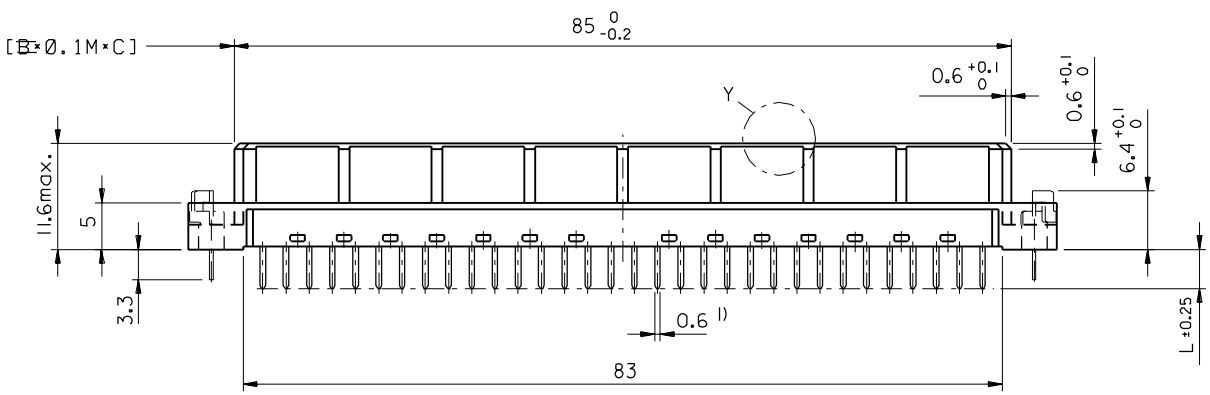
C

B

A



1) tails to fit in PC-board layout



ECN MG1998-2583 Schraube, Lochbild 97-09-17 KN	L TR FOR PREVIOUS REVISIONS SEE MRI LIST	FIRST ANGLE PROJECTION		DRWG BY KN	SIGN	CAD/CAM PROJECT NAME 85042000 611	REVISE ONLY ON CAD SYSTEM	2	B
		3 PLACE ±	±					SH.	REV.
		UNLESS OTHERWISE SPECIFIED TOLERANCES: ANGULAR ±2°		CHK'D BY Ca	SIGN	THIS DRAWING CONTAINS INFORMATION THAT IS PROPRIETARY TO MOLEX INC. & SHOULD NOT BE USED WITHOUT WRITTEN PERMISSION			
		INCH METRIC		APP'D BY JB	SIGN	TITLE 96 pos. female connector DIN 41612 style C + clip Dimensions			
		DRAFT WHERE APPLICABLE MUST REMAIN WITHIN DIMENSIONS		SCALE 2:1		MOLEX MOLEX EUROPE		SHEET NO. DATE 1 of 2 96/04/25	
		DESIGN DIMENSION <input checked="" type="checkbox"/> MM				PART NO.		DWG NO.	
		EQUIVALENT DIMENSION <input type="checkbox"/> MM				SDA-85042-0001		SIZE B	
		IF TWO DIMENSIONS ARE SHOWN THE UPPER IS THE DESIGN DIMENSION, LOWER IS SECONDARY							

7132-1283

VIEW ON MATING SIDE

∩	A	A	A	A	A	A	A	A	A	A	A	A	A	A	A	A	A	A	A	A	A
∩																					
<	A	A	A	A	A	A	A	A	A	A	A	A	A	A	A	A	A	A	A	A	A

1 2 3 4 5 6 7 8 9 10 11 12 13 14 15 16 17 18 19 20 21 22 23 24 25 26 27 28 29 30 31 32 33 34 35 36 37 38 39 40 41 42 43 44 45 46 47 48 49 50 51 52 53 54 55 56 57 58 59 60 61 62 63 64

A = 64 STANDARD CONTACTS L-2,9

Marking	Standard
Performance level	G2/0 = Contact area level2 / Termination tin
Flux proof	no
Fixing clip	yes
Dimensions	SDA-85042-0001 sht.1
Technical Data	PS-85042-0001

A	G2/0	a1-32	c1-32
Contact symbol	Perform. level	Contact position number	

first release see ECN No. 2154	REVISIONS			SH. REV.	DATE
	FOR PREVIOUS REVISIONS SEE MRI LIST			REVISE ONLY ON CAD SYSTEM	1 OF 1
LTR ▷	UNLESS OTHERWISE SPECIFIED TOLERANCES: ANGULAR ± 2° INCH METRIC		DRWG BY <b>Cc</b>	CAD/CAM PROJECT NAME S8504225 S21	
	3 PLACE ± .	±	CHK'D BY <b>KN</b>	THIS DRAWING CONTAINS INFORMATION THAT IS PROPRIETARY TO MOLEX INC. & SHOULD NOT BE USED WITHOUT WRITTEN PERMISSION	
2 PLACE ± .	±	APP'D BY			
1 PLACE ± .	±	SIGN		TITLE <b>96 pos. female connector acc. DIN 41612 style C contacts arrangement</b>	
DRAFT WHERE APPLICABLE MUST REMAIN WITHIN DIMENSIONS					
DESIGN DIMENSION		SCALE		MOLEX EUROPE	
<input type="checkbox"/> MM <input type="checkbox"/> IN.		<input type="checkbox"/> MM <input type="checkbox"/> IN.			
EQUIVALENT DIMENSION		PART NO.		SDA-85042-2529	
<input type="checkbox"/> MM <input type="checkbox"/> IN.		DWG NO.			
IF TWO DIMENSIONS ARE SHOWN, THE UPPER IS THE DESIGN DIMENSION, LOWER IS SECONDARY					