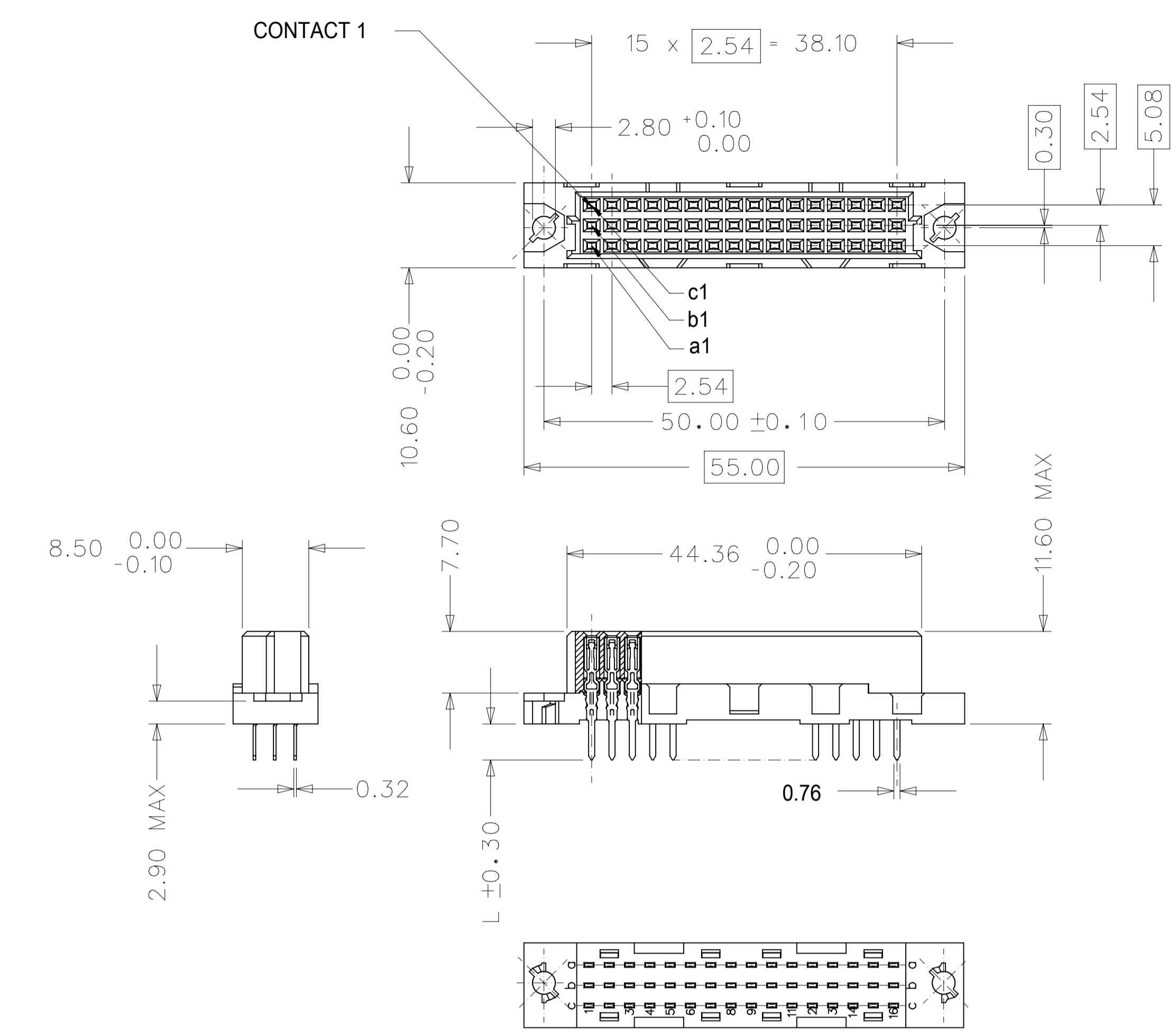
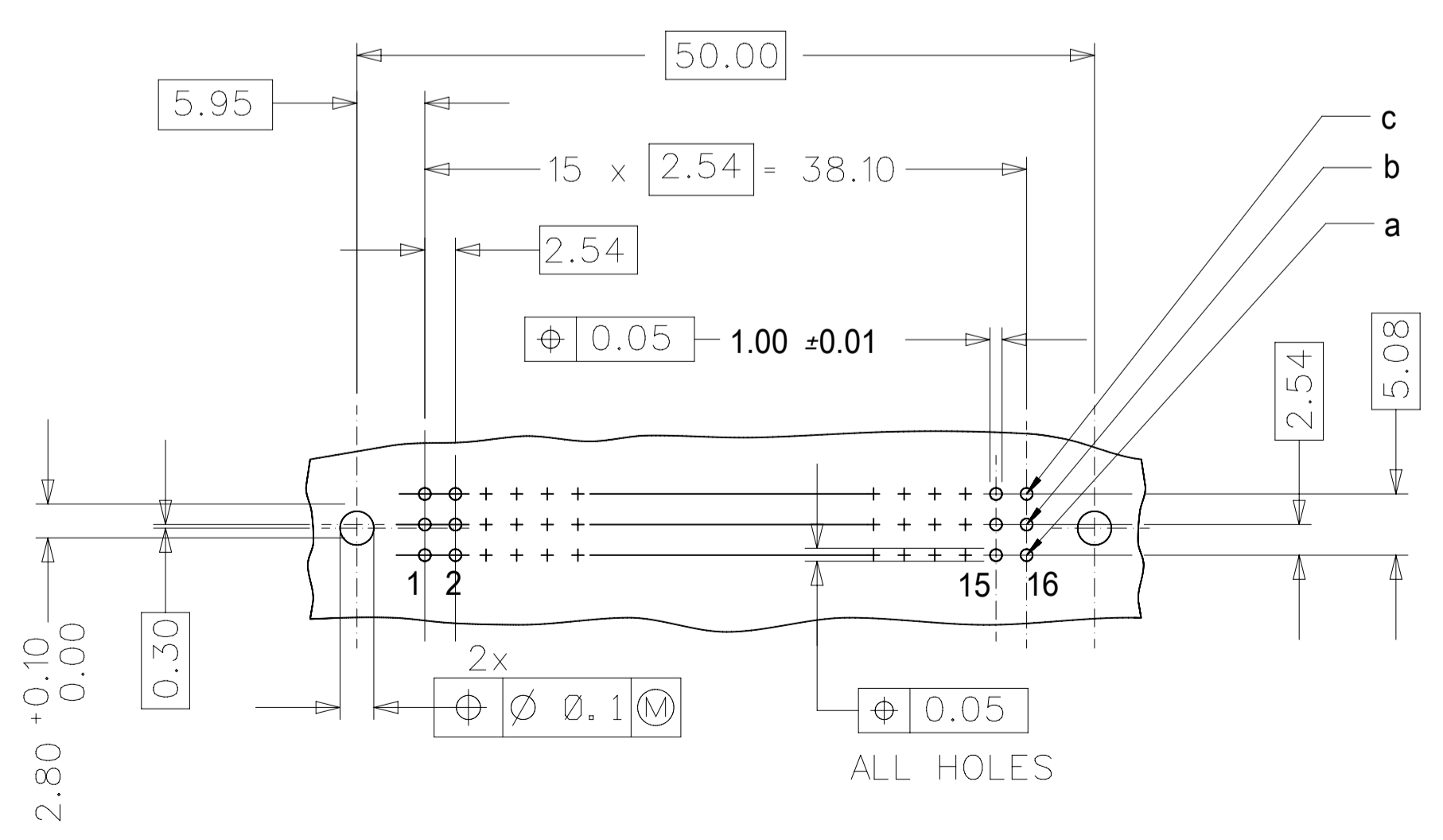


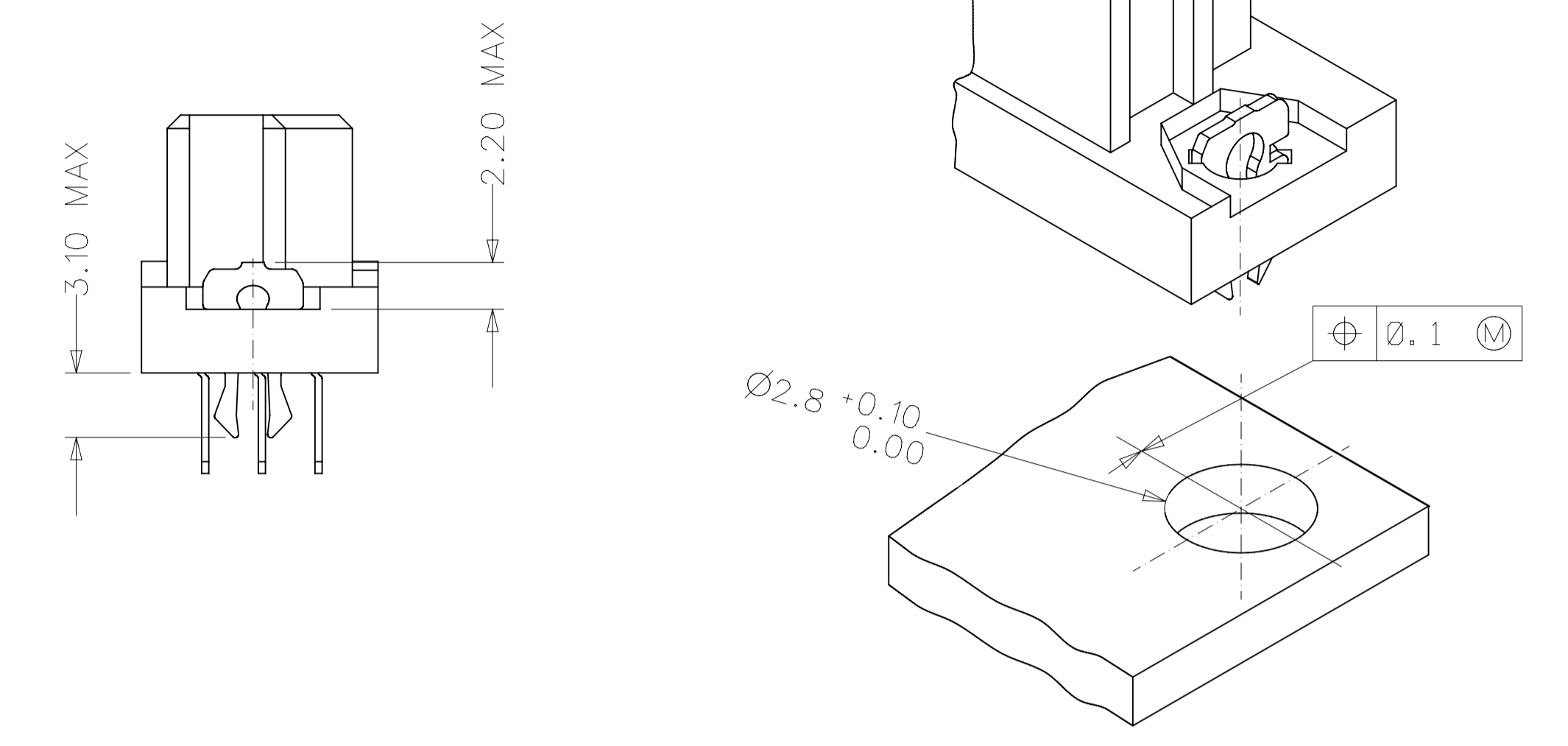
ENTER DESCRIPTION EC NO: 12009-008Z 2008/08/20 DRWNS:J CHKD:KPRASAD 2008/08/25 APPR:KPRASAD 2008/08/26	QUALITY SYMBOLS ▽=0 ▽=0	GENERAL TOLERANCES (UNLESS SPECIFIED)		DIMENSION STYLE MM ONLY	SCALE ---	DESIGN UNITS METRIC	THIRD ANGLE PROJECTION
		4 PLACES ±--- ±--- 3 PLACES ±--- ±--- 2 PLACES ±--- ±--- 1 PLACE ±--- ±--- ANGULAR ±---°	mm INCH ±--- ±--- ±--- ±--- ±--- ±--- ±--- ±---	DRAWN BY SUMESH DATE 2008/08/13	TITLE 48 POS. FEMALE CONNECTOR DIN 41612, STYLE C/2 DIMENSIONS	MOLEX INCORPORATED	SHEET NO. 1 OF 1
DRAFT WHERE APPLICABLE MUST REMAIN WITHIN DIMENSIONS	MATERIAL NO. 850426115	DOCUMENT NO. SD-85042-0002	THIS DRAWING CONTAINS INFORMATION THAT IS PROPRIETARY TO MOLEX INCORPORATED AND SHOULD NOT BE USED WITHOUT WRITTEN PERMISSION				



RECOMMENDED PCB LAYOUT
COMPONENT SIDE



WITH MOUNTING CLIPS



- NOTES:
- MATERIALS: THERMOPLASTIC POLYESTER, GLASS FILLED, UL94V-0. COLOUR: PEBBLE GREY RAL 7032
TERMINAL - PHOSPHOR BRONZE
MOUNTING CLIP: STEEL
 - FINISH: TERMINAL:-
CONTACT AREA
1. PERFORMANCE LEVEL 1: SELECTIVE GOLD (Au), THICKNESS = 1.1 MICROMETER OVER NICKEL, THICKNESS = 1.5 MICROMETER
2. PERFORMANCE LEVEL 2: SELECTIVE GOLD (Au), THICKNESS = 0.6 MICROMETER OVER NICKEL, THICKNESS = 1.5 MICROMETER
3. PERFORMANCE LEVEL 3: SELECTIVE GOLD (Au), THICKNESS = 0.3 MICROMETER OVER NICKEL, THICKNESS = 1.5 MICROMETER
TERMINATION AREA:
SELECTIVE TIN, THICKNESS = 5 MICROMETER OVER NICKEL, THICKNESS = 1.5 MICROMETER OVERALL
 - MOUNTING CLIP:-
TIN (Sn), THICKNESS = 5-10 MICROMETER, OVER NICKEL (Ni), THICKNESS = 2.5 MICROMETER
 - FOR NON MOUNTING CLIP OPTION, CONNECTOR TO BE SECURED WITH RIVETS: 2 TUBULAR RIVETS 2.5 x 0.3 ... DIN 7340
SCREWS: 2 CHEESEHEAD SCREWS M2.5 x DIN 84 AND 2 HEXAGONAL NUTS M2.5 DIN 934
 - MATERIAL No, BATCH CODE, UL AND CSA MARKING TO BE PRINTED ON THE CONNECTOR.
 - CUT FACES OF TIP WITHOUT PLATING PERMITTED.
 - PRODUCT SPECIFICATION PS-85042-0001

RoHS COMPLIANT

THIS DRAWING CONTAINS INFORMATION THAT IS PROPRIETARY TO MOLEX ELECTRONIC TECHNOLOGIES, LLC AND SHOULD NOT BE USED WITHOUT WRITTEN PERMISSION												
DIMENSION UNITS		SCALE		CURRENT REV DESC:								
mm		1:1										
GENERAL TOLERANCES (UNLESS SPECIFIED)				EC NO: 624787		2019/05/17		ASSY DIN41612 C/2 FEMALE 48 POS 1.0MM PCB DIA				
4 PLACES ±		±		DRWN: RPRABHUM		2019/11/11		PRODUCT CUSTOMER DRAWING				
3 PLACES ±		0.005 ±		CHK'D: GGA		2019/11/11		DOCUMENT NUMBER				
2 PLACES ±		0.1 ±		APPR: GGA		2019/11/11		SD-85042-002		PSD	001	B2
1 PLACE ±		0.15 ±		INITIAL REVISION:				DOC TYPE DOC PART REVISION				
0 PLACES ±		±		DRWN: SHANKAR		2006/04/25		MATERIAL NUMBER		CUSTOMER		SHEET NUMBER
ANGULAR TOL ±		2.0°		APPR: SSUDHIR		2006/04/25		SEE SHEET 2		GENERAL MARKET		1 OF 2
DRAFT WHERE APPLICABLE MUST REMAIN WITHIN DIMENSIONS				THIRD ANGLE PROJECTION		DRAWING		SERIES		MATERIAL NUMBER		SHEET NUMBER
						A1-SIZE		85042				

MATERIAL No	MOLEX ENG No	PERF LEVEL	PLATING	CONTACT SEQUENCE/ROW	DIM "L" mm	MOUNTING CLIP	FLUX PROOF
850424294	85042-4294	2	Au+Ni	1,2,3....16 a+b+c	2.9	YES	NO
850429025	85042-9025	2	Au+Ni	1,2,3....16 a+b+c	4.5	YES	NO
850420048	85042-0048	2	Au+Ni	1,2,3....16 a+c	4.5	NO	NO
850420086	85042-0086	2	Au+Ni	1,2,3....16 a+b+c	4.5	NO	NO
850421330	85042-1330	1	Au+Ni	1,2,3....16 a+b+c	4.5	NO	NO
850424268	85042-4268	2	Au+Ni	1,2,3....16 a+b+c	2.9	NO	NO
850424282	85042-4282	2	Au+Ni	1,2,3....16 a+c	2.9	YES	NO
850426098	85042-6098	3	Au+Ni	1,2,3....16 a+b+c	2.9	NO	NO
850429022	85042-9022	2	Au+Ni	1,2,3....16 a+c	2.9	YES	NO

View on mating side

o	A	A	A	A	A	A	A	A	A	A	A	A	A	A	A	
D																
o	A	A	A	A	A	A	A	A	A	A	A	A	A	A	A	
	1	2	3	4	5	6	7	8	9	10	11	12	13	14	15	16

View on mating side

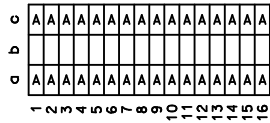
o	A	A	A	A	A	A	A	A	A	A	A	A	A	A	A	
D	A	A	A	A	A	A	A	A	A	A	A	A	A	A	A	
o	A	A	A	A	A	A	A	A	A	A	A	A	A	A	A	
	1	2	3	4	5	6	7	8	9	10	11	12	13	14	15	16

RoHS COMPLIANT

THIS DRAWING CONTAINS INFORMATION THAT IS PROPRIETARY TO MOLEX ELECTRONIC TECHNOLOGIES, LLC AND SHOULD NOT BE USED WITHOUT WRITTEN PERMISSION									
DIMENSION UNITS mm		SCALE 1:1		CURRENT REV DESC:				molex	
GENERAL TOLERANCES (UNLESS SPECIFIED)				EC NO: 624787					
		MM	INCH	DRWN: RPRABHUM		2019/05/17		ASSY DIN41612 C/2 FEMALE	
4 PLACES ±		±	±	CHK'D: GGA		2019/11/11		48 POS 1.0MM PCB DIA	
3 PLACES ±		0.005	±	APPR: GGA		2019/11/11		PRODUCT CUSTOMER DRAWING	
2 PLACES ±		0.1	±	INITIAL REVISION:				DOCUMENT NUMBER	
1 PLACE ±		0.15	±	DRWN: SHANKAR				SD-85042-002	
0 PLACES ±		±	±	APPR: SSUDHIR				PSD 001 B2	
ANGULAR TOL ±		2.0 °		THIRD ANGLE PROJECTION		DRAWING		SHEET NUMBER	
DRAFT WHERE APPLICABLE MUST REMAIN WITHIN DIMENSIONS				A1-SIZE		SERIES		CUSTOMER	
				85042		SEE SHEET 2		GENERAL MARKET	
DOCUMENT STATUS		P1	RELEASE DATE	2019/11/11 02:36:06		2 OF 2			

MATERIAL No	MOLEX ENG No	PERF LEVEL	PLATING	CONTACT SEQUENCE/ROW	DIM "L" mm	MOUNTING CLIP	FLUX PROOF
850424294	85042-4294	2	Au+Ni	1.2.3....16 a+b+c	2.9	YES	NO
850429025	85042-9025	2	Au+Ni	1.2.3....16 a+b+c	4.5	YES	NO
850420048	85042-0048	2	Au+Ni	1.2.3....16 a+c	4.5	NO	NO
850420086	85042-0086	2	Au+Ni	1.2.3....16 a+b+c	4.5	NO	NO
850421184	85042-1184	1	Au+Ni	1.2.3....16 a+b+c	2.9	NO	YES
850421330	85042-1330	1	Au+Ni	1.2.3....16 a+b+c	4.5	NO	NO
850424268	85042-4268	2	Au+Ni	1.2.3....16 a+b+c	2.9	NO	NO
850424282	85042-4282	2	Au+Ni	1.2.3....16 a+c	2.9	YES	NO
850426098	85042-6098	3	Au+Ni	1.2.3....16 a+b+c	2.9	NO	NO
850429022	85042-9022	2	Au+Ni	1.2.3....16 a+c	2.9	YES	NO

View on mating side



View on mating side



RoHS COMPLIANT

ENTER DESCRIPTION IEC NO: 2090-0293 DRAWN BY: DRWNRKUMAR 2009/12/04 CHECKED BY: CHKDKPRASAD 2010/01/27 APPROVED BY: APPR:KPRASAD 2010/03/11	QUALITY SYMBOLS ▽=0 ▽=0	GENERAL TOLERANCES (UNLESS SPECIFIED)		DIMENSION STYLE MM ONLY		SCALE ---	DESIGN UNITS METRIC	<input checked="" type="checkbox"/> THIRD ANGLE PROJECTION	
		4 PLACES ±--- ±--- 3 PLACES ±--- ±--- 2 PLACES ±--- ±--- 1 PLACE ±--- ±---	mm INCH	DRAWN BY SHANKAR	DATE 2006/04/25	TITLE ASSY DIN41612 C/2 FEMALE 48 POS 1.0MM PCB DIA			
		DRAFT WHERE APPLICABLE MUST REMAIN WITHIN DIMENSIONS		SEE CHART		MATERIAL NO. SD-85042-002			
				APPROVED BY SSUDHIR		DATE 2006/04/25		MOLEX INCORPORATED DOCUMENT NO.	
REV B1				SHEET NO. 2 OF 2		THIS DRAWING CONTAINS INFORMATION THAT IS PROPRIETARY TO MOLEX INCORPORATED AND SHOULD NOT BE USED WITHOUT WRITTEN PERMISSION			

View on mating side

o	A	A	A	A	A	A	A	A	A	A	A	A	A	A	A	A	A	A	A
o	A	A	A	A	A	A	A	A	A	A	A	A	A	A	A	A	A	A	A
o	A	A	A	A	A	A	A	A	A	A	A	A	A	A	A	A	A	A	A

1 2 3 4 5 6 7 8 9 10 11 12 13 14 15 16 17 18 19 20 21 22 23 24 25 26 27 28 29 30 31 32 33 34 35 36 37 38 39 40 41 42 43 44 45 46 47 48 49 50 51 52 53 54 55 56 57 58 59 60 61 62 63 64 65 66 67 68 69 70 71 72 73 74 75 76 77 78 79 80 81 82 83 84 85 86 87 88 89 90 91 92 93 94 95 96 97 98 99 100

A = 48 standard contacts L=2,9

Marking	Standard
Performance level	G2/0 = Contact area level2 / Termination tin
Flux proof	no
Fixing clip	yes
Dimensions	SDA-85042-0002 sht.1
Technical Data	PS-85042-0001

A	G2/0	a1-l6	b1-l6	c1-l6
Contact symbol	Perform. level	Contact position number		

ECN MG1998-2748 first release	REVISIONS		FOR PREVIOUS REVISIONS SEE MRI LIST		REVISE ONLY ON CAD SYSTEM	SH.	REV.
	LTR		SCALE				
UNLESS OTHERWISE SPECIFIED TOLERANCES: ANGULAR ±.2°		DRWG BY	SIGN	CAD/CAM PROJECT NAME	THIS DRAWING CONTAINS INFORMATION THAT IS PROPRIETARY TO MOLEX INC. & SHOULD NOT BE USED WITHOUT WRITTEN PERMISSION		
3 PLACE ± .	INCH	KN	KN	s8504242	s91		
2 PLACE ± .	METRIC	CHK'D BY	CHK'D	TITLE			
1 PLACE ± .		Ca	Ca	48 pos. female connector			
DRAFT WHERE APPLICABLE MUST REMAIN WITHIN DIMENSIONS		APP'D BY	APP'D	DIN 41612, style C/2			
DESIGN DIMENSION	<input type="checkbox"/> MM <input type="checkbox"/> IN.	JB	JB	contacts arrangement			
EQUIVALENT DIMENSION	<input type="checkbox"/> MM <input type="checkbox"/> IN.	SCALE		MOLEX EUROPE		SHEET NO.	DATE
IF TWO DIMENSIONS ARE SHOWN THE UPPER IS THE DESIGN DIMENSION, LOWER IS SECONDARY				85042-4294		1 OF 1	98/03/09
				PART NO.		SIZE	
				SD-85042-4294		A	