

PART NO.
DWG. NO.

F

E

D

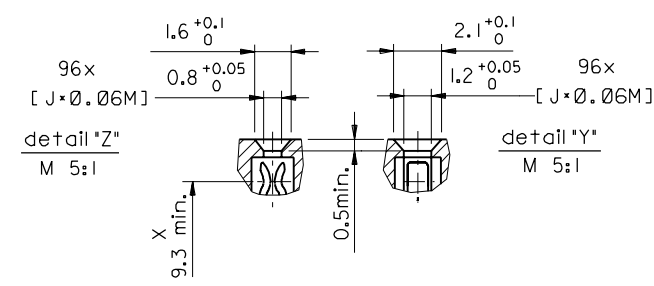
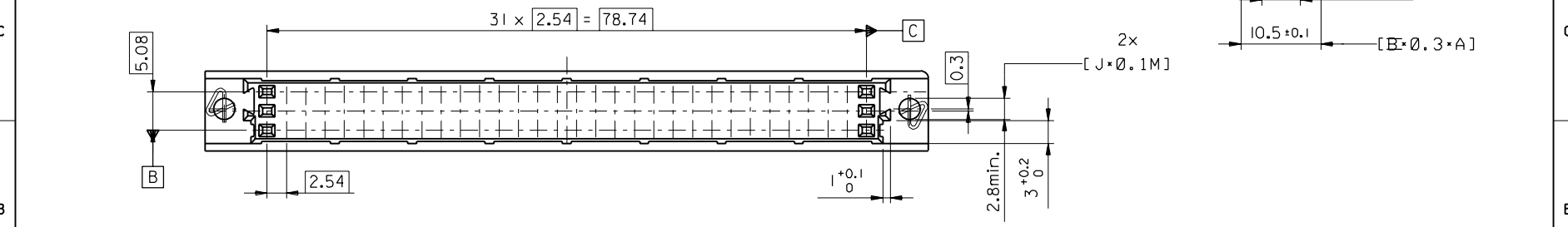
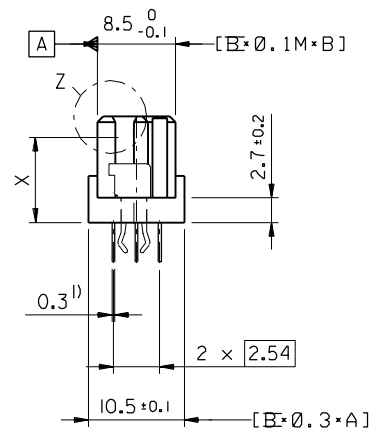
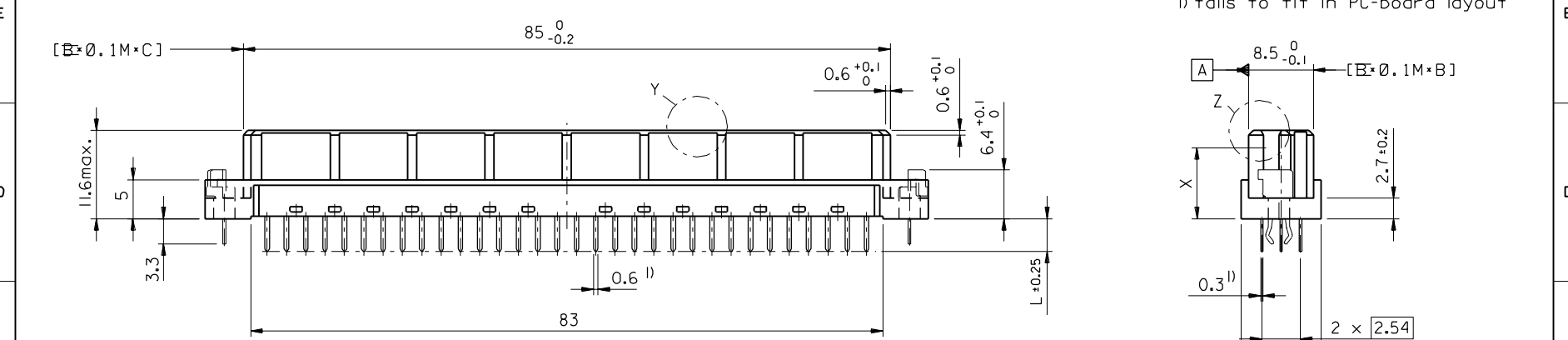
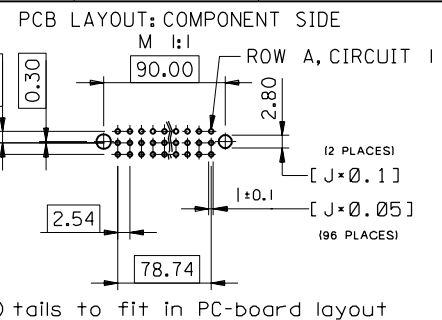
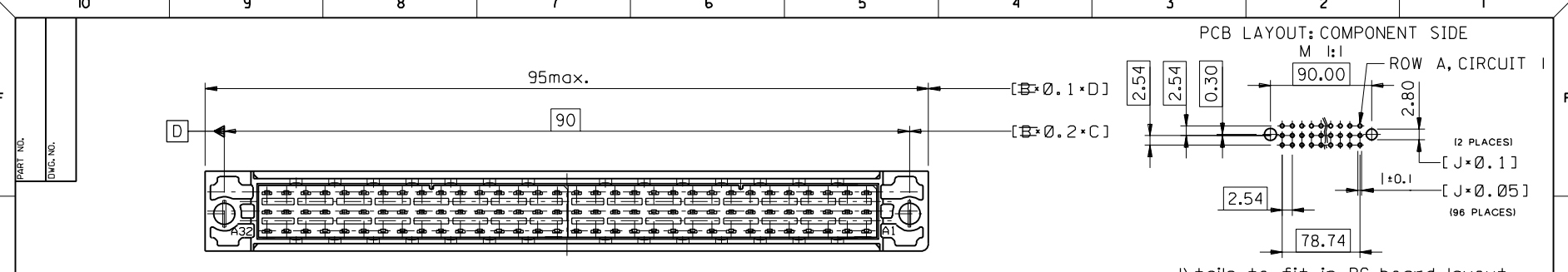
C

B

A

7132-1283

10 9 8 7 6 5 4 3 2 1



ECN MG1998-2583 Schraube, Lochbild 97-09-17 KN	REVISIONS FOR PREVIOUS REVISIONS SEE MRI LIST	UNLESS OTHERWISE SPECIFIED TOLERANCES: ANGULAR ±2°	DRWG BY KN	SIGN	CAD/CAM PROJECT NAME 85042000 611	THIS DRAWING CONTAINS INFORMATION THAT IS PROPRIETARY TO MOLEX INC. & SHOULD NOT BE USED WITHOUT WRITTEN PERMISSION
		INCH METRIC	CHK'D BY Ca	SIGN	TITLE 96 pos. female connector DIN 41612 style C + clip Dimensions	
B	LTR	3 PLACE ±	APP'D BY JB	SIGN	MOLEX EUROPE	
		2 PLACE ±	SCALE 2:1	SIGN	SHEET NO. DATE 1 of 2 96/04/25	PART NO. SDA-85042-0001
		DRAFT WHERE APPLICABLE MUST REMAIN WITHIN DIMENSIONS			DWG NO. SIZE B	
		DESIGN DIMENSION <input checked="" type="checkbox"/> MM				
		EQUIVALENT DIMENSION <input type="checkbox"/> MM				
		IF TWO DIMENSIONS ARE SHOWN THE UPPER IS THE DESIGN DIMENSION, LOWER IS SECONDARY				

10 9 8 7 6 5 4 3 2 1

