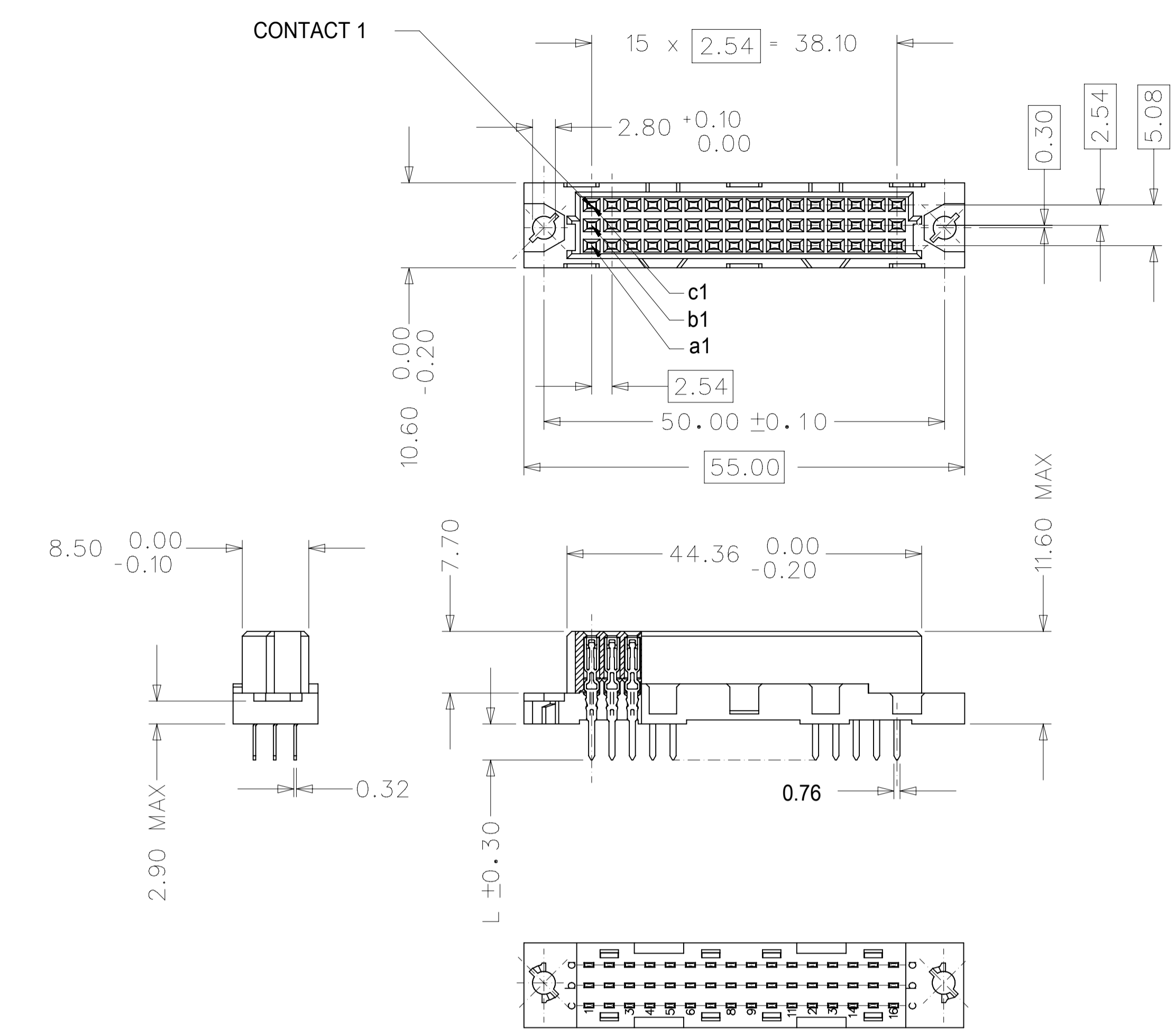
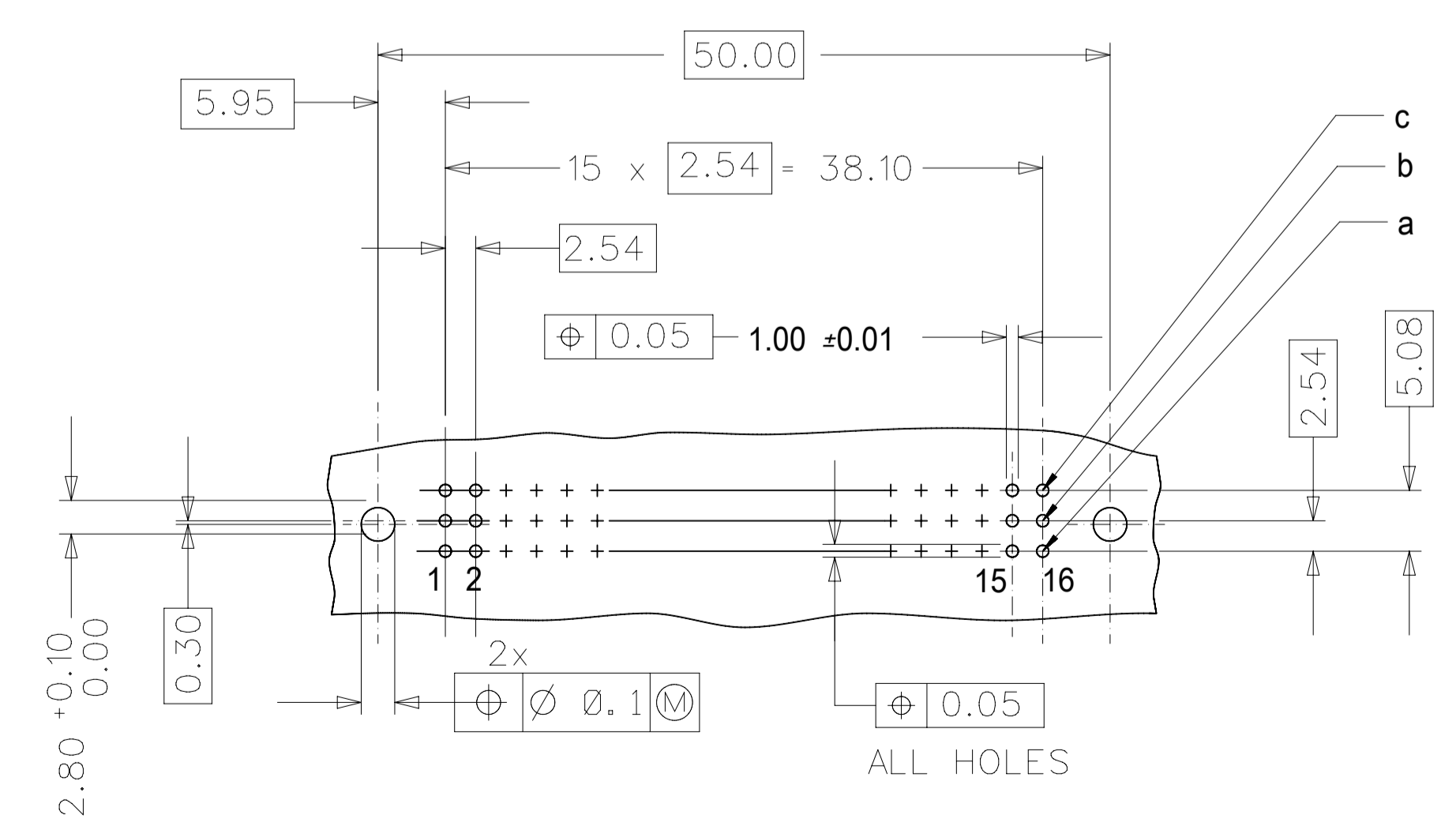


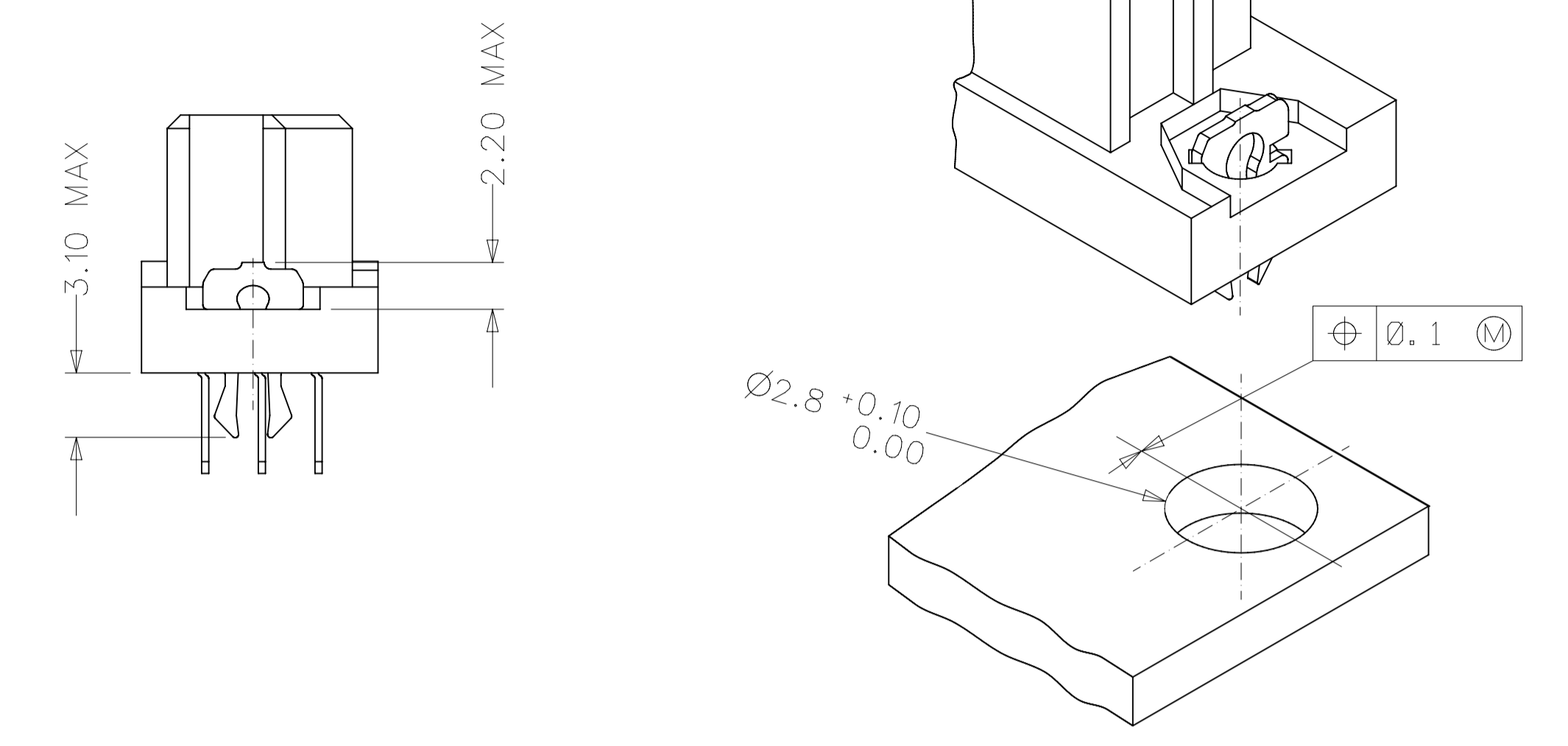
ENTER DESCRIPTION EC NO: 12009-008Z 2008/08/20 DRWNS:J CHKD:KPRASAD 2008/08/25 APPR:KPRASAD 2008/08/26	QUALITY SYMBOLS ▽=0 ▽=0	GENERAL TOLERANCES (UNLESS SPECIFIED)		DIMENSION STYLE MM ONLY	SCALE ---	DESIGN UNITS METRIC	THIRD ANGLE PROJECTION
		4 PLACES ±--- ±--- 3 PLACES ±--- ±--- 2 PLACES ±--- ±--- 1 PLACE ±--- ±--- ANGULAR ±---°	mm INCH ±--- ±--- ±--- ±--- ±--- ±--- ±--- ±---	DRAWN BY SUMESH DATE 2008/08/13 CHECKED BY KPRASAD DATE 2008/08/13 APPROVED BY KPRASAD DATE 2008/08/13 MATERIAL NO. 850426115	TITLE 48 POS. FEMALE CONNECTOR DIN 41612, STYLE C/2 DIMENSIONS MOLEX INCORPORATED DOCUMENT NO. SD-85042-0002	SHEET NO. 1 OF 1	
DRAFT WHERE APPLICABLE MUST REMAIN WITHIN DIMENSIONS		THIS DRAWING CONTAINS INFORMATION THAT IS PROPRIETARY TO MOLEX INCORPORATED AND SHOULD NOT BE USED WITHOUT WRITTEN PERMISSION					



RECOMMENDED PCB LAYOUT
COMPONENT SIDE



WITH MOUNTING CLIPS



- NOTES:
- MATERIALS: THERMOPLASTIC POLYESTER, GLASS FILLED, UL94V-0. COLOUR: PEBBLE GREY RAL 7032
TERMINAL - PHOSPHOR BRONZE
MOUNTING CLIP: STEEL
 - FINISH: TERMINAL:-
CONTACT AREA
1. PERFORMANCE LEVEL 1: SELECTIVE GOLD (Au), THICKNESS = 1.1 MICROMETER OVER NICKEL, THICKNESS = 1.5 MICROMETER
2. PERFORMANCE LEVEL 2: SELECTIVE GOLD (Au), THICKNESS = 0.6 MICROMETER OVER NICKEL, THICKNESS = 1.5 MICROMETER
3. PERFORMANCE LEVEL 3: SELECTIVE GOLD (Au), THICKNESS = 0.3 MICROMETER OVER NICKEL, THICKNESS = 1.5 MICROMETER
TERMINATION AREA:
SELECTIVE TIN, THICKNESS = 5 MICROMETER OVER NICKEL, THICKNESS = 1.5 MICROMETER OVERALL
 - MOUNTING CLIP:-
TIN (Sn), THICKNESS = 5-10 MICROMETER, OVER NICKEL (Ni), THICKNESS = 2.5 MICROMETER
 - FOR NON MOUNTING CLIP OPTION, CONNECTOR TO BE SECURED WITH RIVETS: 2 TUBULAR RIVETS 2.5 x 0.3 ... DIN 7340
SCREWS: 2 CHEESEHEAD SCREWS M2.5 x DIN 84 AND 2 HEXAGONAL NUTS M2.5 DIN 934
 - MATERIAL No, BATCH CODE, UL AND CSA MARKING TO BE PRINTED ON THE CONNECTOR.
 - CUT FACES OF TIP WITHOUT PLATING PERMITTED.
 - PRODUCT SPECIFICATION PS-85042-0001

RoHS COMPLIANT

THIS DRAWING CONTAINS INFORMATION THAT IS PROPRIETARY TO MOLEX ELECTRONIC TECHNOLOGIES, LLC AND SHOULD NOT BE USED WITHOUT WRITTEN PERMISSION											
DIMENSION UNITS		SCALE		CURRENT REV DESC:							
mm		1:1									
GENERAL TOLERANCES (UNLESS SPECIFIED)				EC NO: 624787		2019/05/17		ASSY DIN41612 C/2 FEMALE			
4 PLACES		±		DRWN: RPRABHUM		2019/11/11		48 POS 1.0MM PCB DIA			
3 PLACES		± 0.005		CHK'D: GGA		2019/11/11		PRODUCT CUSTOMER DRAWING			
2 PLACES		± 0.1		APPR: GGA		2019/11/11		DOCUMENT NUMBER		DOC TYPE DOC PART REVISION	
1 PLACE		± 0.15		INITIAL REVISION:				SD-85042-002		PSD 001 B2	
0 PLACES		±		DRWN: SHANKAR		2006/04/25		MATERIAL NUMBER		CUSTOMER	
ANGULAR TOL		± 2.0°		APPR: SSUDHIR		2006/04/25		SEE SHEET 2		GENERAL MARKET	
DRAFT WHERE APPLICABLE MUST REMAIN WITHIN DIMENSIONS				THIRD ANGLE PROJECTION		DRAWING		SERIES		SHEET NUMBER	
						A1-SIZE		85042		1 OF 2	

MATERIAL No	MOLEX ENG No	PERF LEVEL	PLATING	CONTACT SEQUENCE/ROW	DIM "L" mm	MOUNTING CLIP	FLUX PROOF
850424294	85042-4294	2	Au+Ni	1,2,3....16 a+b+c	2.9	YES	NO
850429025	85042-9025	2	Au+Ni	1,2,3....16 a+b+c	4.5	YES	NO
850420048	85042-0048	2	Au+Ni	1,2,3....16 a+c	4.5	NO	NO
850420086	85042-0086	2	Au+Ni	1,2,3....16 a+b+c	4.5	NO	NO
850421330	85042-1330	1	Au+Ni	1,2,3....16 a+b+c	4.5	NO	NO
850424268	85042-4268	2	Au+Ni	1,2,3....16 a+b+c	2.9	NO	NO
850424282	85042-4282	2	Au+Ni	1,2,3....16 a+c	2.9	YES	NO
850426098	85042-6098	3	Au+Ni	1,2,3....16 a+b+c	2.9	NO	NO
850429022	85042-9022	2	Au+Ni	1,2,3....16 a+c	2.9	YES	NO

View on mating side

A	A	A	A	A	A	A	A	A	A	A	A	A	A	A	A	A	A
A	A	A	A	A	A	A	A	A	A	A	A	A	A	A	A	A	A
1	2	3	4	5	6	7	8	9	10	11	12	13	14	15	16		

View on mating side

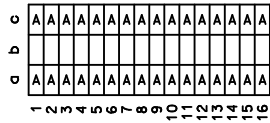
A	A	A	A	A	A	A	A	A	A	A	A	A	A	A	A	A	A
A	A	A	A	A	A	A	A	A	A	A	A	A	A	A	A	A	A
A	A	A	A	A	A	A	A	A	A	A	A	A	A	A	A	A	A
1	2	3	4	5	6	7	8	9	10	11	12	13	14	15	16		

RoHS COMPLIANT

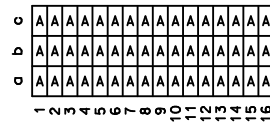
THIS DRAWING CONTAINS INFORMATION THAT IS PROPRIETARY TO MOLEX ELECTRONIC TECHNOLOGIES, LLC AND SHOULD NOT BE USED WITHOUT WRITTEN PERMISSION									
DIMENSION UNITS mm		SCALE 1:1		CURRENT REV DESC:				molex	
GENERAL TOLERANCES (UNLESS SPECIFIED)				EC NO: 624787					
		MM		INCH		DRWN: RPRABHUM 2019/05/17		ASSY DIN41612 C/2 FEMALE 48 POS 1.0MM PCB DIA	
4 PLACES ±		±		±		CHK'D: GGA 2019/11/11		PRODUCT CUSTOMER DRAWING	
3 PLACES ±		0.005		±		APPR: GGA 2019/11/11		DOCUMENT NUMBER	
2 PLACES ±		0.1		±		INITIAL REVISION:		SD-85042-002	
1 PLACE ±		0.15		±		DRWN: SHANKAR 2006/04/25		PSD 001 B2	
0 PLACES ±				±		APPR: SSUDHIR 2006/04/25		DOC TYPE DOC PART REVISION	
ANGULAR TOL		± 2.0 °						SEE SHEET 2	
DRAFT WHERE APPLICABLE MUST REMAIN WITHIN DIMENSIONS				THIRD ANGLE PROJECTION		DRAWING		SHEET NUMBER	
						A1-SIZE		2 OF 2	
						SERIES		CUSTOMER	
						85042		GENERAL MARKET	
								SHEET NUMBER	
								2 OF 2	

MATERIAL No	MOLEX ENG No	PERF LEVEL	PLATING	CONTACT SEQUENCE/ROW	DIM "L" mm	MOUNTING CLIP	FLUX PROOF
850424294	85042-4294	2	Au+Ni	1.2.3....16 a+b+c	2.9	YES	NO
850429025	85042-9025	2	Au+Ni	1.2.3....16 a+b+c	4.5	YES	NO
850420048	85042-0048	2	Au+Ni	1.2.3....16 a+c	4.5	NO	NO
850420086	85042-0086	2	Au+Ni	1.2.3....16 a+b+c	4.5	NO	NO
850421184	85042-1184	1	Au+Ni	1.2.3....16 a+b+c	2.9	NO	YES
850421330	85042-1330	1	Au+Ni	1.2.3....16 a+b+c	4.5	NO	NO
850424268	85042-4268	2	Au+Ni	1.2.3....16 a+b+c	2.9	NO	NO
850424282	85042-4282	2	Au+Ni	1.2.3....16 a+c	2.9	YES	NO
850426098	85042-6098	3	Au+Ni	1.2.3....16 a+b+c	2.9	NO	NO
850429022	85042-9022	2	Au+Ni	1.2.3....16 a+c	2.9	YES	NO

View on mating side



View on mating side



RoHS COMPLIANT

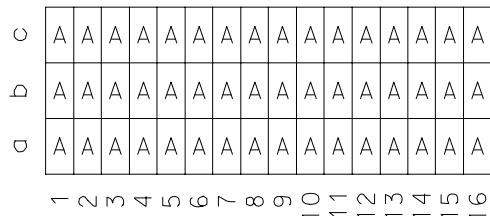
ENTER DESCRIPTION IEC NO: 2090-0293 2009/12/04 DRWNR:KUMAR 2010/01/27 CHKDR:PRASAD 2010/03/11 APPR:KPRASAD	QUALITY SYMBOLS ▽=0 ▽=0	GENERAL TOLERANCES (UNLESS SPECIFIED)		DIMENSION STYLE MM ONLY		SCALE ---	DESIGN UNITS METRIC	<input checked="" type="checkbox"/> THIRD ANGLE PROJECTION	
		4 PLACES ±--- ±--- 3 PLACES ±--- ±--- 2 PLACES ±--- ±--- 1 PLACE ±--- ±---	mm INCH	DRAWN BY SHANKAR	DATE 2006/04/25	TITLE ASSY DIN41612 C/2 FEMALE 48 POS 1.0MM PCB DIA			
		DRAFT WHERE APPLICABLE MUST REMAIN WITHIN DIMENSIONS		SEE CHART		MATERIAL NO. SD-85042-002			
		SIZE A 1		THIS DRAWING CONTAINS INFORMATION THAT IS PROPRIETARY TO MOLEX INCORPORATED AND SHOULD NOT BE USED WITHOUT WRITTEN PERMISSION					

7 6 5 4 3 2 1

E

E

View on mating side



D

D

A = 48 standard contacts L=2,9

C

C

Marking	Standard
Performance level	G3/0= Contact area Level3 / Termination Tin
Flux proof	no
Fixing clip	no
Dimensions	SD-36501-0001 Sht 1
Technical Data	PS-36500-001

B

B

A	G3/0	a1-16	b1-16	c1-16
Contact symbol	Perform. level	Contact position number		

A

A

EC NO: I2006-0283 DRWN:SSUDHIR 2005/11/19 CHKD:KPRASAD 2005/11/21 APPR:KPRASAD 2005/11/21	DESCRIPTION REV	QUALITY SYMBOLS	GENERAL TOLERANCES (UNLESS SPECIFIED)		DIMENSION STYLE MM ONLY		SCALE ---	DESIGN UNITS METRIC	THIRD ANGLE PROJECTION	
		▼=0 □=0	mm	INCH	DRAWN BY SSUDHIR	DATE 2005/10/19	TITLE 48 POS FEMALE CONNECTOR DIN 41612, STYLE C/2 CONTACTS ARRANGEMENT			
			4 PLACES ±---	±---	CHECKED BY KPRASAD	DATE 2005/10/19				
			3 PLACES ±---	±---	APPROVED BY KPRASAD	DATE 2005/10/19	MOLEX INCORPORATED			
A1			1 PLACE ±---	±---	MATERIAL NO. 85042-6098	DOCUMENT NO. SD-85042-6098	SHEET NO. 1 OF 1			
			ANGULAR ±---°		THIS DRAWING CONTAINS INFORMATION THAT IS PROPRIETARY TO MOLEX INCORPORATED AND SHOULD NOT BE USED WITHOUT WRITTEN PERMISSION					
DRAFT WHERE APPLICABLE MUST REMAIN WITHIN DIMENSIONS										

6

5

4

3

2

1