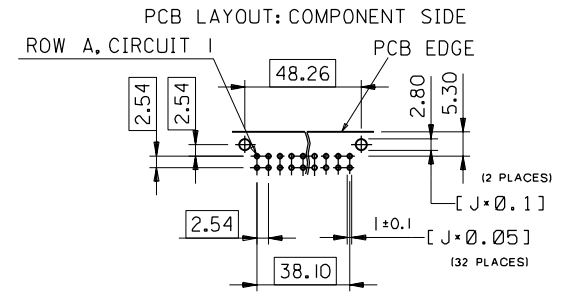
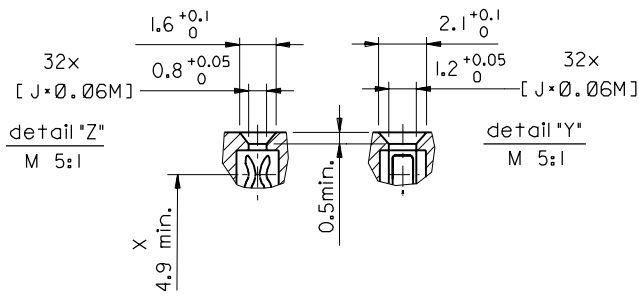
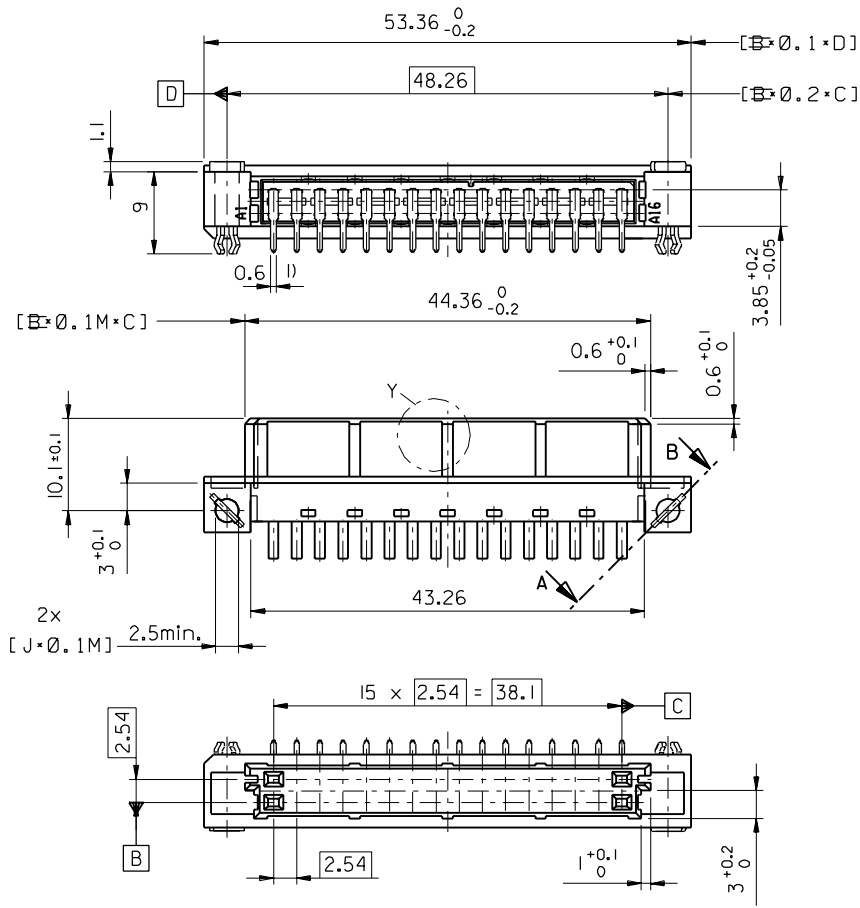
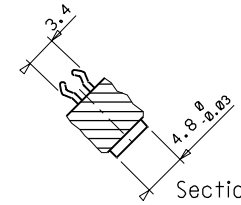
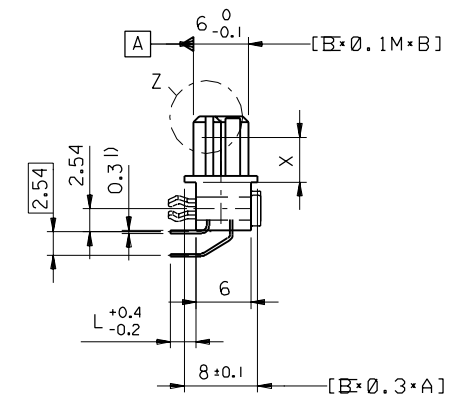




PART NO.  
DWG. NO.



1) tails to fit in PC-board layout



FIRST ANGLE PROJECTION		REVISE ONLY ON CAD SYSTEM		SH.	REV.
UNLESS OTHERWISE SPECIFIED TOLERANCES: ANGULAR ±2°		DRWG BY	SIGN	CAD/CAM PROJECT NAME	
INCH METRIC		KN		85050000	
3 PLACE ± ±		CHK'D BY	SIGN	THIS DRAWING CONTAINS INFORMATION THAT IS PROPRIETARY TO MOLEX INC. & SHOULD NOT BE USED WITHOUT WRITTEN PERMISSION	
2 PLACE ± ±		Ca		TITLE	
1 PLACE ± ±		APP'D BY	SIGN	32 pos. female connector	
DRAFT WHERE APPLICABLE MUST REMAIN WITHIN DIMENSIONS		JB		DIN 41612 style Q/2+ clip	
DESIGN DIMENSION <input checked="" type="checkbox"/> MM		SCALE		Dimensions	
EQUIVALENT DIMENSION <input type="checkbox"/> MM		2:1		MOLEX EUROPE	
IF TWO DIMENSIONS ARE SHOWN THE UPPER IS THE DESIGN DIMENSION, LOWER IS SECONDARY				SHEET NO. DATE	
				1 of 1 96/04/25	
				PART NO. DWG NO. SIZE	
				SDA-85050-0002 B	