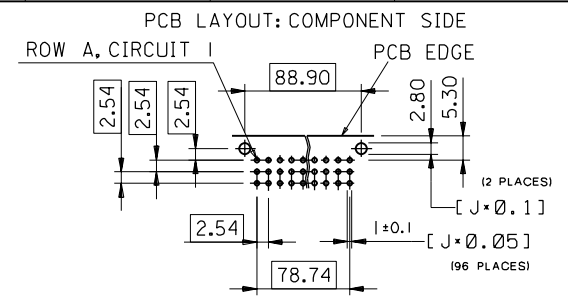
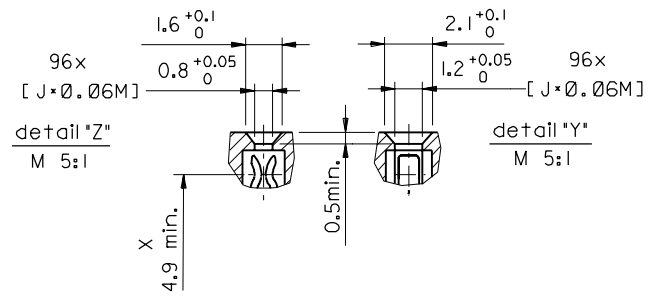
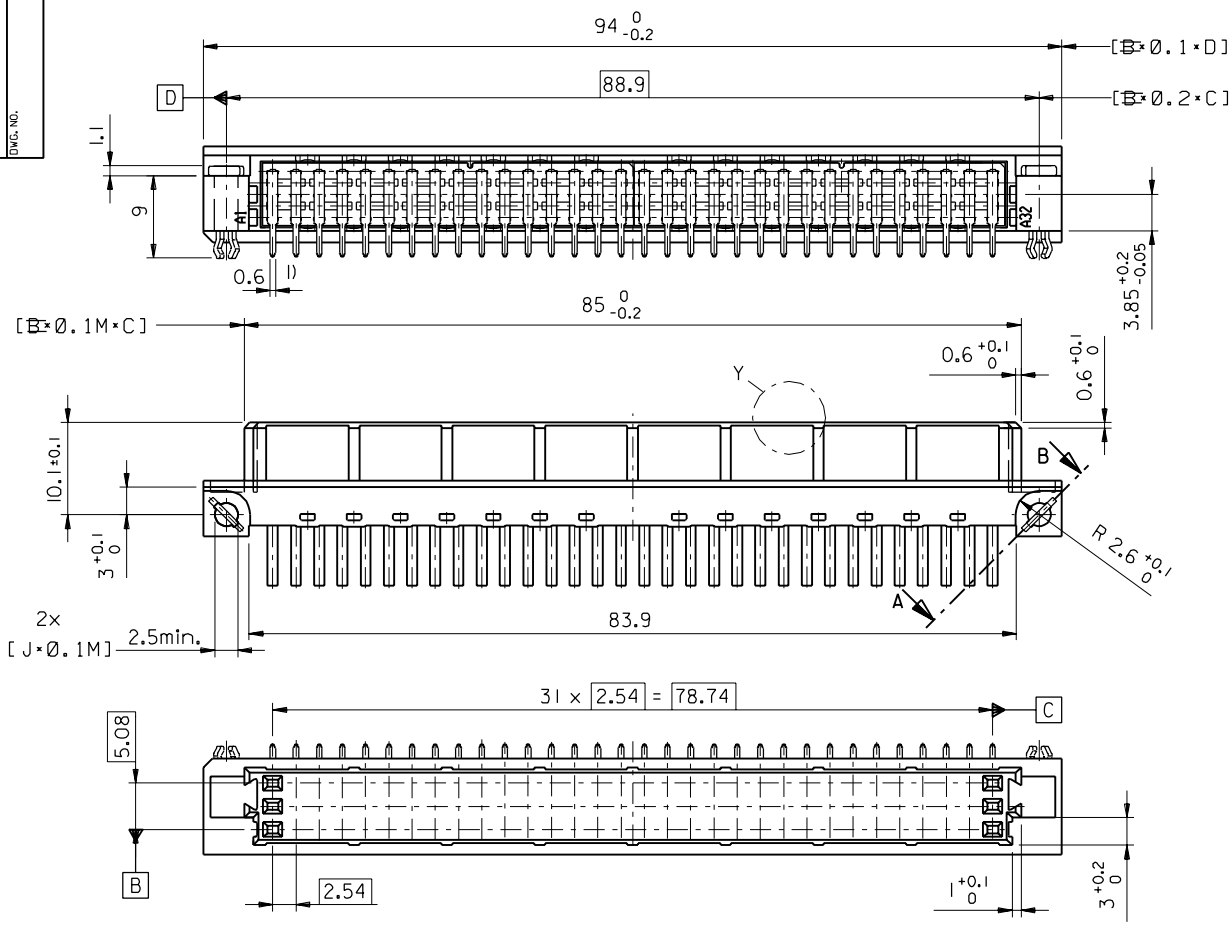
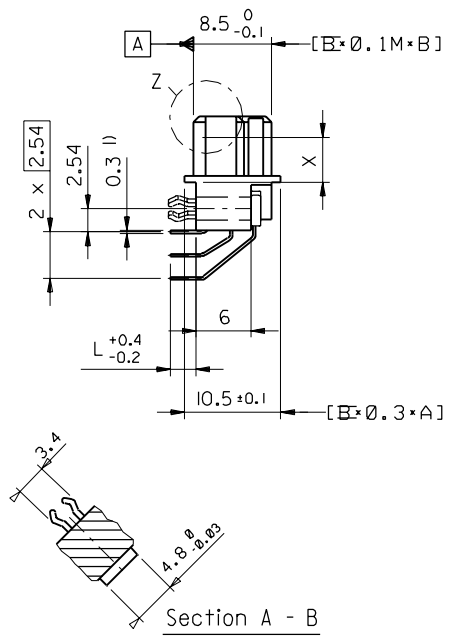


PART NO.
DWG. NO.



1) tails to fit in PC-board layout



ECN MG1998-2586 hole pattern/L+0.4-0.2 97-09-15 KN	REVISIONS FOR PREVIOUS REVISIONS SEE MRL LIST	FIRST ANGLE PROJECTION		REVISE ONLY ON CAD SYSTEM		2	B1
		UNLESS OTHERWISE SPECIFIED TOLERANCES: ANGULAR ±2°	DRWG BY KN	SIGN	CAD/CAM PROJECT NAME 85052000 611	SH.	REV.
		INCH			THIS DRAWING CONTAINS INFORMATION THAT IS PROPRIETARY TO MOLEX INC. & SHOULD NOT BE USED WITHOUT WRITTEN PERMISSION		
		METRIC			TITLE 96 pos. female connector DIN 41612 style R + clip Dimensions		
		3 PLACE ±			MOLEX EUROPE		
		2 PLACE ±			SHEET NO. DATE 1 OF 2 96/04/25		
		1 PLACE ±			PART NO. DWG NO. SDA-85052-0001		
		DESIGN DIMENSION <input checked="" type="checkbox"/> MM			SIZE B		
		<input type="checkbox"/> IN.					
		EQUIVALENT DIMENSION <input type="checkbox"/> MM					
		<input type="checkbox"/> IN.					
		IF TWO DIMENSIONS ARE SHOWN THE UPPER IS THE DESIGN DIMENSION, LOWER IS SECONDARY					
			SCALE 2:1				

