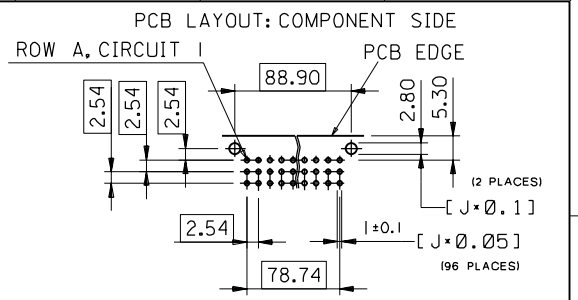
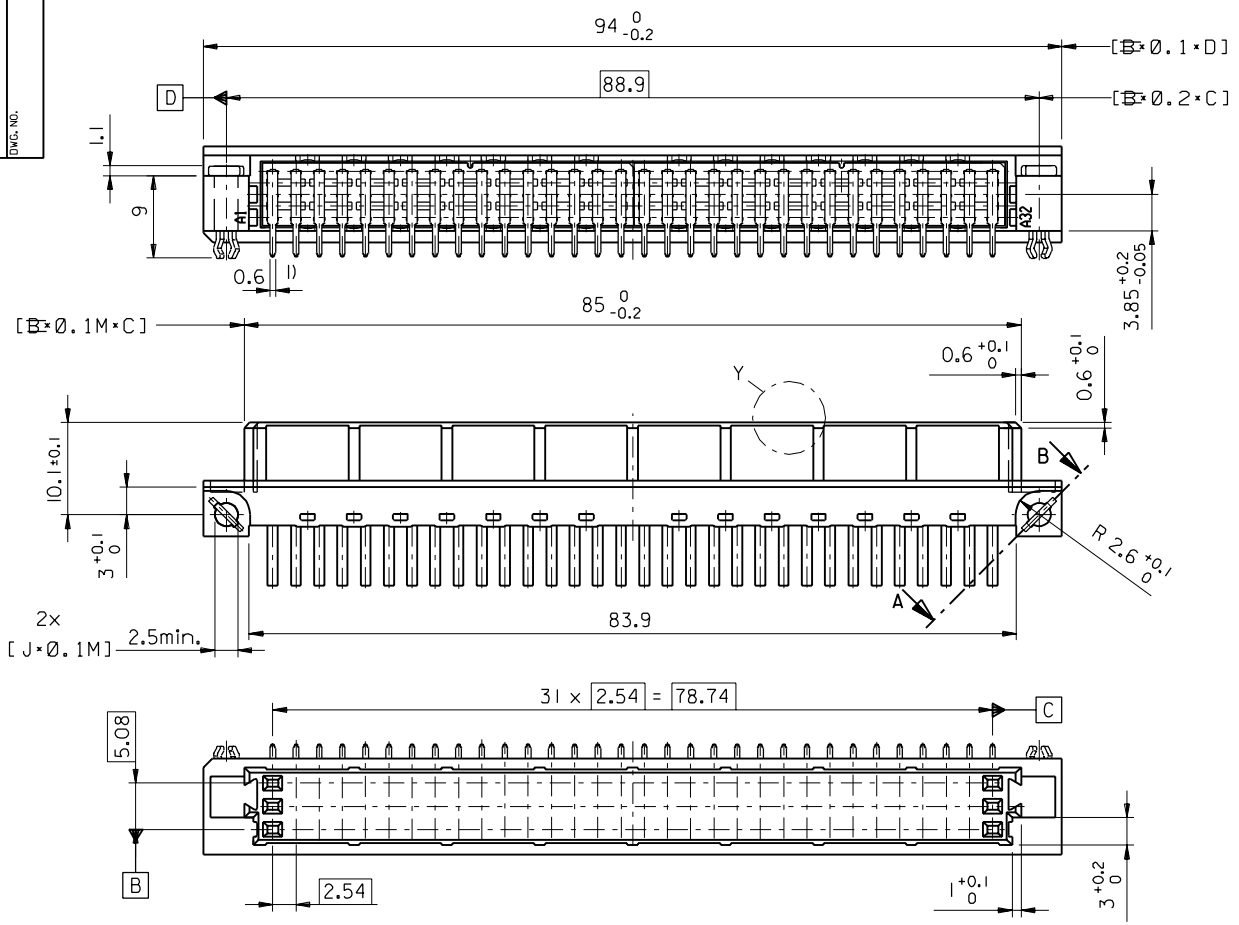
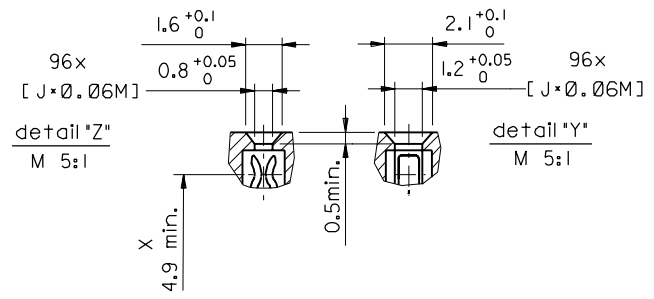
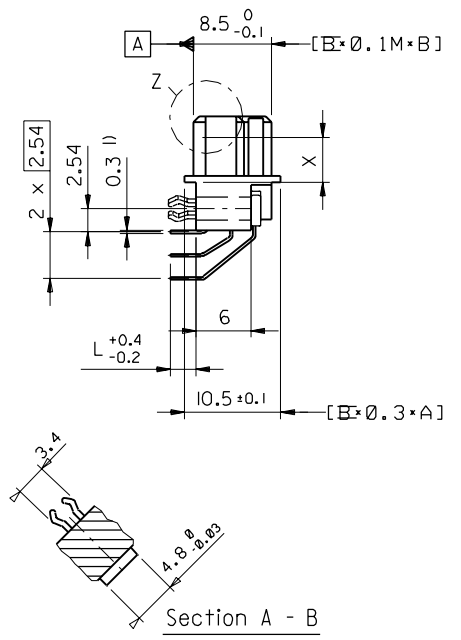




PART NO.  
DWG. NO.



1) tails to fit in PC-board layout



FIRST ANGLE PROJECTION

DRWG BY	KN
CHK'D BY	Ca
APP'D BY	JB
SCALE	2:1

UNLESS OTHERWISE SPECIFIED TOLERANCES: ANGULAR ±2°

3 PLACE ±	±
2 PLACE ±	±
1 PLACE ±	±

DRAFT WHERE APPLICABLE MUST REMAIN WITHIN DIMENSIONS

DESIGN DIMENSION	<input checked="" type="checkbox"/> MM
	<input type="checkbox"/> IN.
EQUIVALENT DIMENSION	<input type="checkbox"/> MM
	<input type="checkbox"/> IN.

IF TWO DIMENSIONS ARE SHOWN THE UPPER IS THE DESIGN DIMENSION, LOWER IS SECONDARY

2	B1
SH.	REV.
REVISIONS	
ECN MG1998-2586 hole pattern/L+0.4-0.2 97-09-15 KN	
FOR PREVIOUS REVISIONS SEE MRL LIST	
L/TR	
CAD/CAM PROJECT NAME 85052000 611	
THIS DRAWING CONTAINS INFORMATION THAT IS PROPRIETARY TO MOLEX INC. & SHOULD NOT BE USED WITHOUT WRITTEN PERMISSION	
TITLE 96 pos. female connector DIN 41612 style R + clip Dimensions	
MOLEX MOLEX EUROPE	
SHEET NO. DATE 1 OF 2 96/04/25	
PART NO. DWG NO. SDA-85052-0001	
SIZE B	