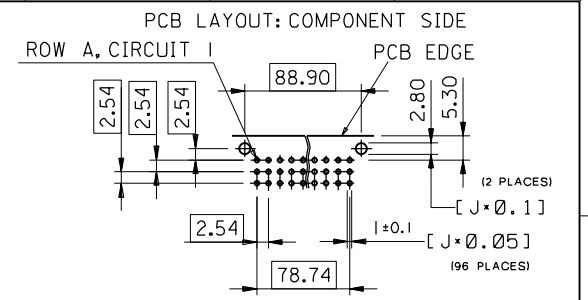
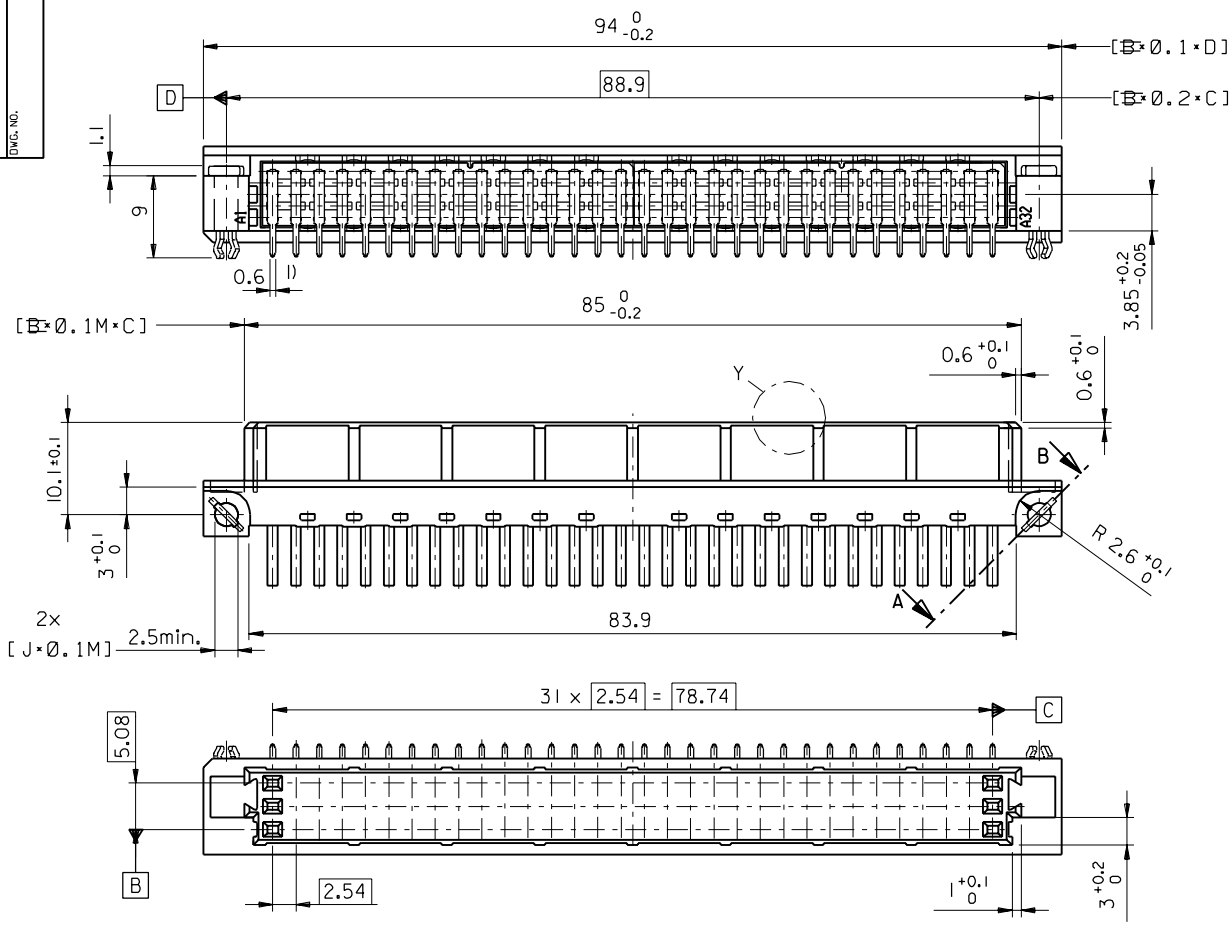
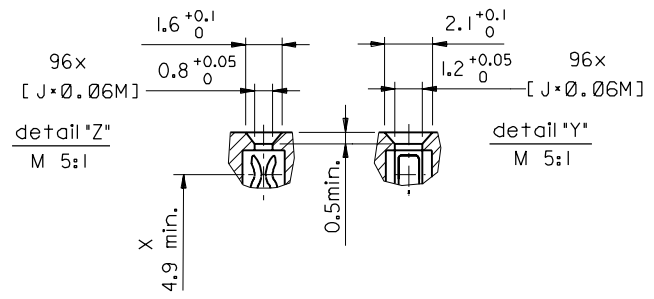
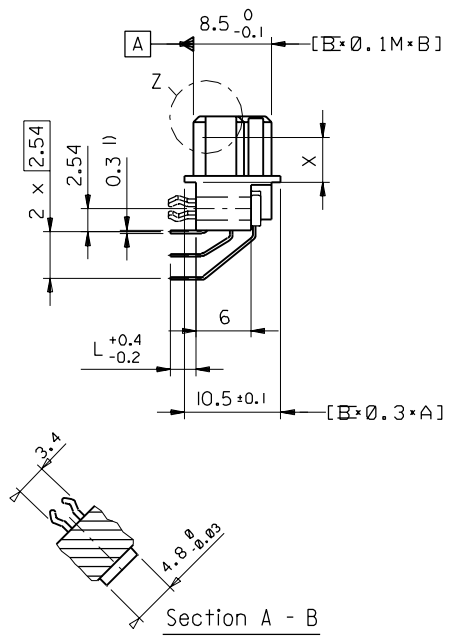


PART NO.
DWG. NO.



1) tails to fit in PC-board layout



FIRST ANGLE PROJECTION		DRWG BY	SIGN
UNLESS OTHERWISE SPECIFIED TOLERANCES: ANGULAR ±2°		KN	
INCH		CHK'D BY	SIGN
METRIC		Ca	
3 PLACE ±		APP'D BY	SIGN
2 PLACE ±		JB	
1 PLACE ±		SCALE	
DRAFT WHERE APPLICABLE MUST REMAIN WITHIN DIMENSIONS		2:1	
DESIGN DIMENSION <input checked="" type="checkbox"/> MM			
EQUIVALENT DIMENSION <input type="checkbox"/> IN.			
IF TWO DIMENSIONS ARE SHOWN THE UPPER IS THE DESIGN DIMENSION, LOWER IS SECONDARY			

2		B1	
SH.		REV.	
CAD/CAM PROJECT NAME 85052000 611		THIS DRAWING CONTAINS INFORMATION THAT IS PROPRIETARY TO MOLEX INC. & SHOULD NOT BE USED WITHOUT WRITTEN PERMISSION	
TITLE 96 pos. female connector DIN 41612 style R + clip Dimensions			
MOLEX MOLEX EUROPE		SHEET NO. DATE 1 OF 2 96/04/25	
PART NO.		DWG NO.	
SDA-85052-0001		SIZE B	

