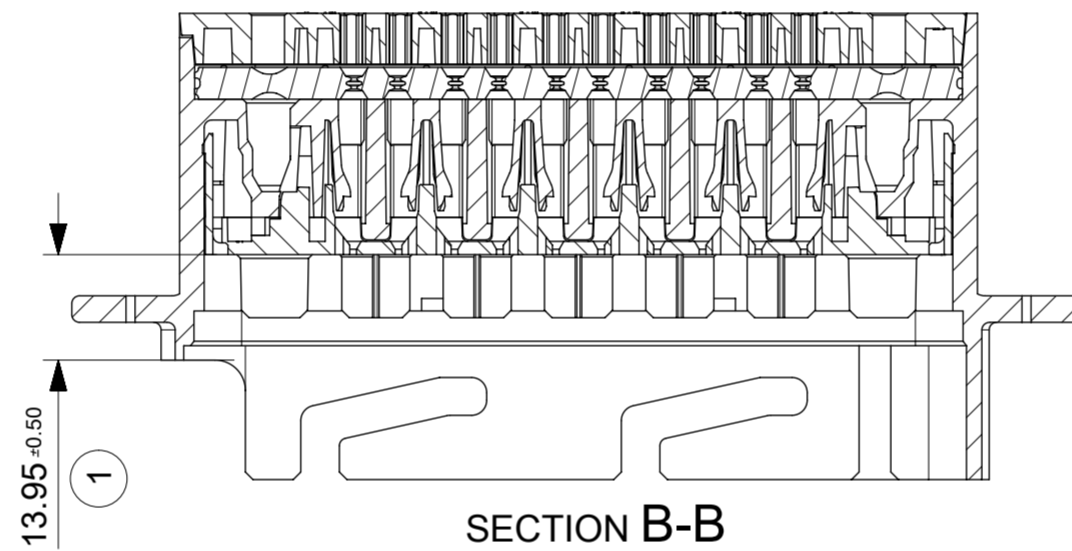
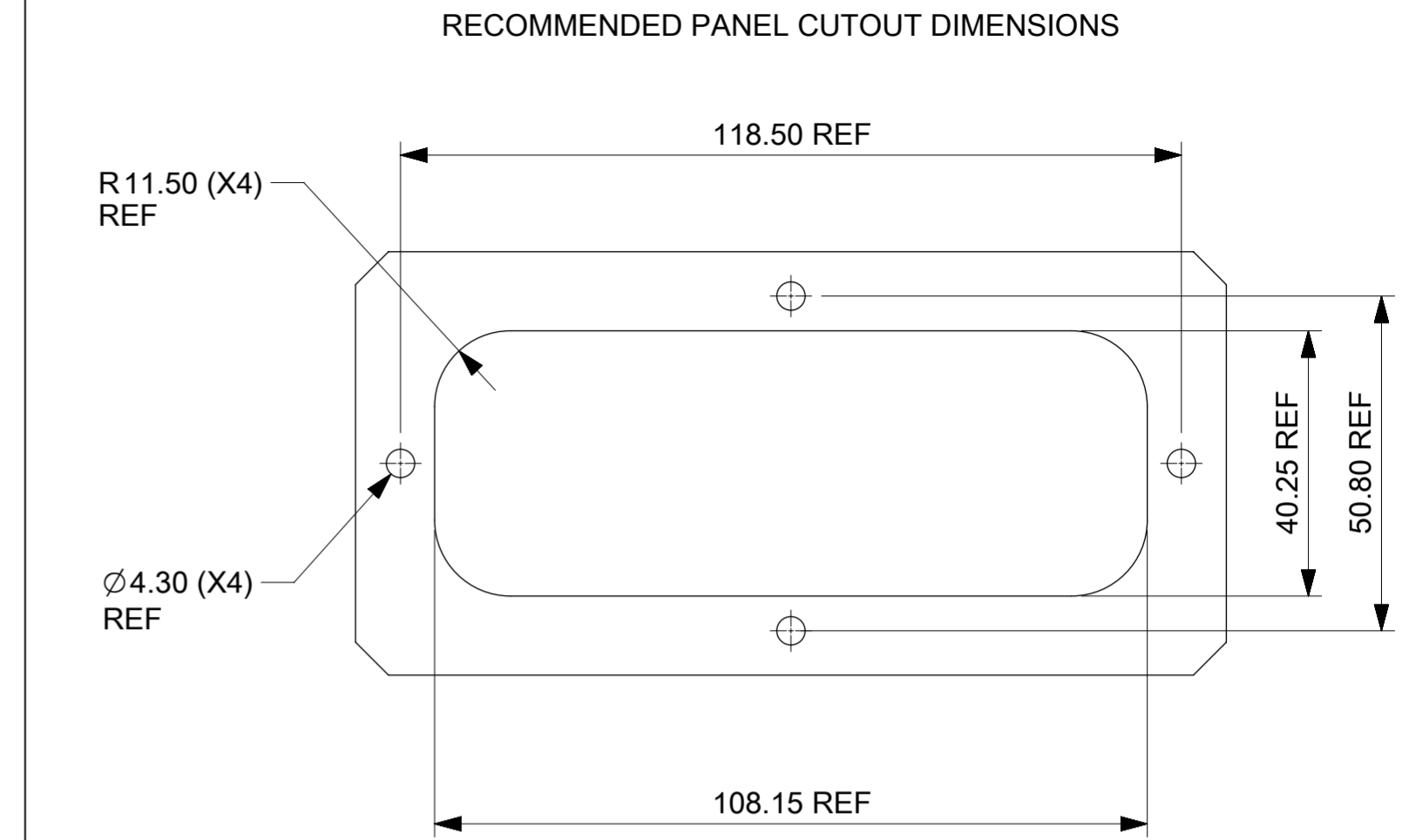
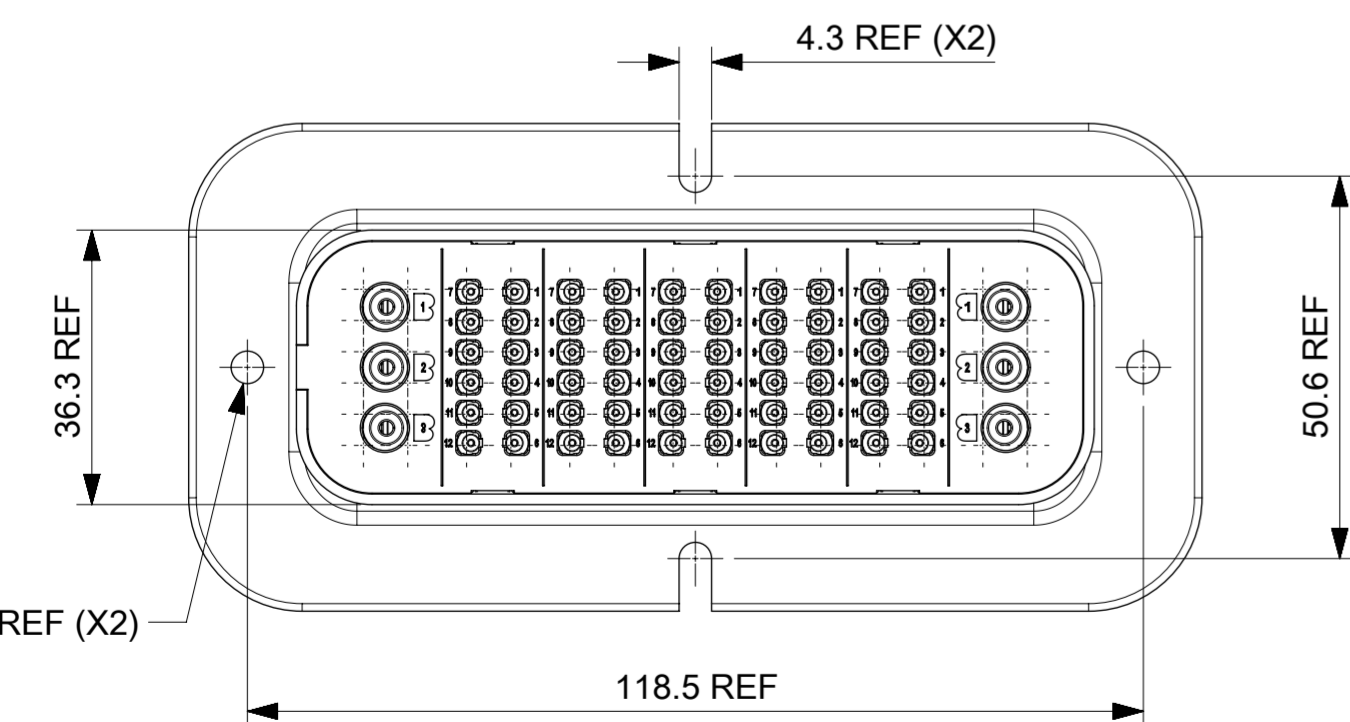
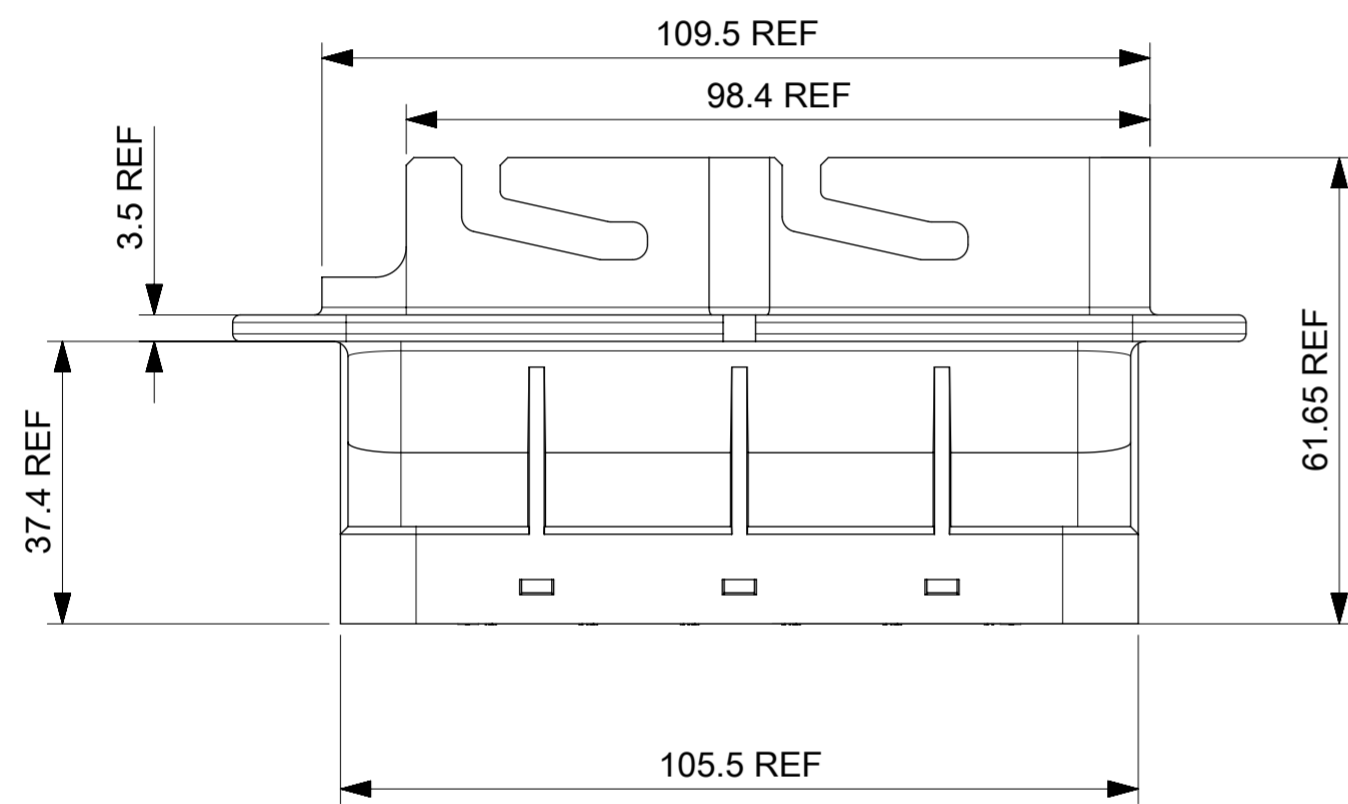


SECTION A-A

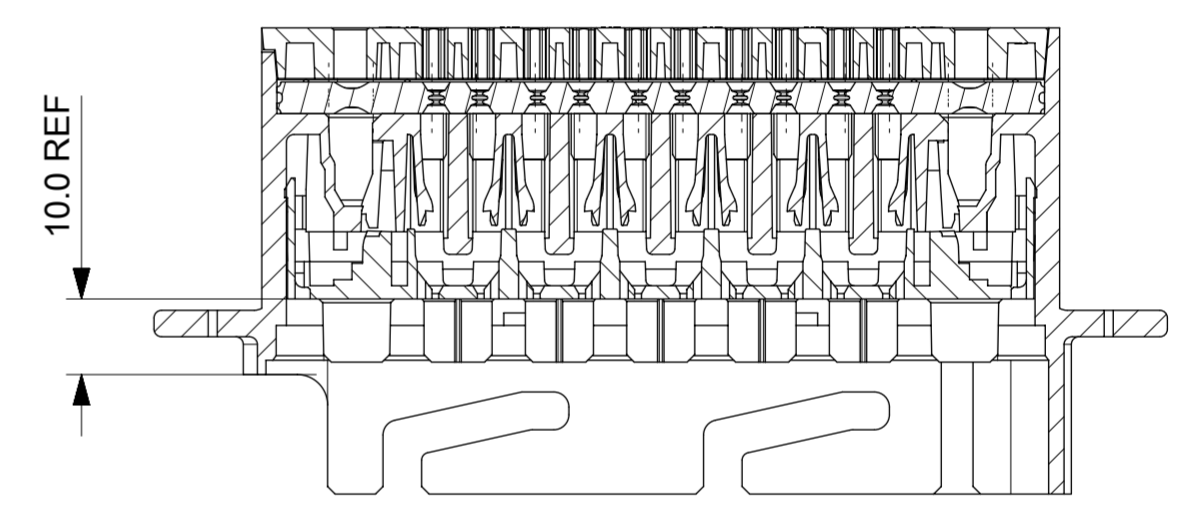
TPA IN CLOSED (AS SHIPPED) POSITION



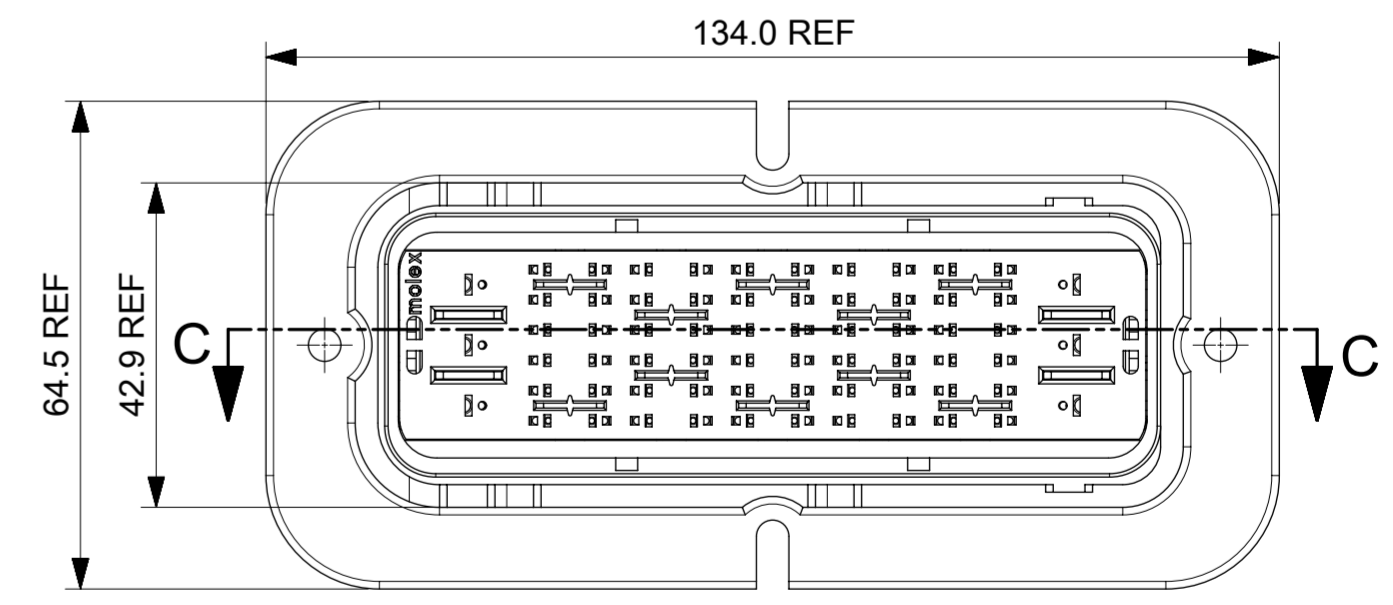
SECTION B-B



TPA IN PRE-LOAD POSITION

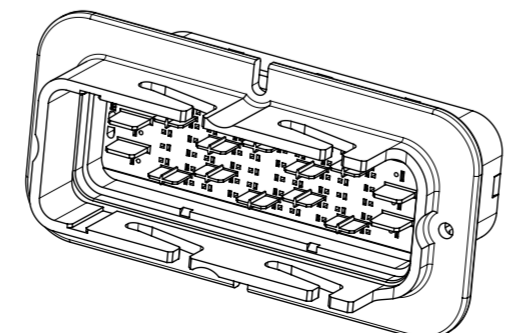


SECTION C-C



- NOTES:
- MATERIALS:  
HOUSINGS: SPS/NYLON BLEND, GLASS FILLED, UL 94 HB  
SEAL: SILICONE RUBBER
  - MX150 BLADE TERMINALS PER SD-33000-001 TO BE USED WITH THIS ASSEMBLY IN CAVITIES B, C, D, E & F, CRIMPED WITH CABLE INSULATION OUTER DIAMETER IN THE RANGE 1.5mm TO 2.7mm
  - MX150L BLADE TERMINALS PER SD-19431-00\* TO BE USED WITH THIS ASSEMBLY IN CAVITIES A & G, CRIMPED WITH CABLE INSULATION OUTER DIAMETER IN THE RANGE 3.0mm TO 5.0mm
  - PRODUCT SPECIFICATION: 850830010 PSP
  - PACKAGING SPECIFICATION: 850710010 PSK
  - MATES WITH: SRC 60+6AG POWER RECEPTACLE HOUSING ASSEMBLY PART NUMBER 850840700 PER 850840700 PSD
  - APPLICATION SPECIFICATION: 850830010 PSA
  - FLANGE GASKET OPTION: REFER TO 850710017 PSD

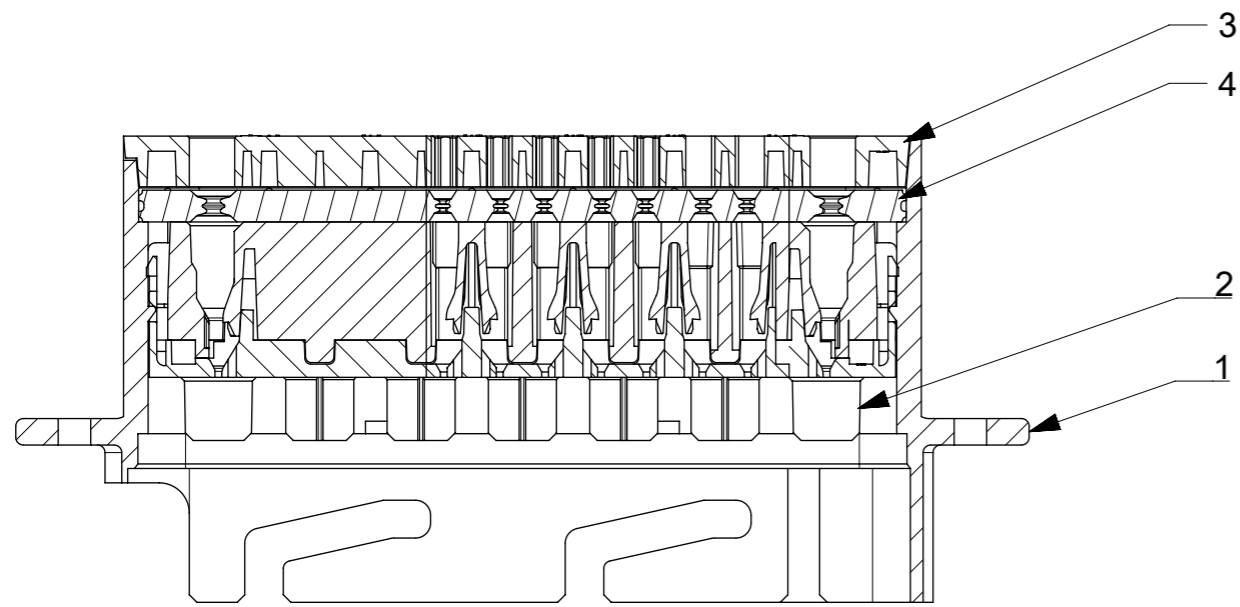
INSPECTION NUMBERS RESERVED FOR SHEET 1: 1-50  
LAST INSPECTION NUMBER USED: 1



No.	DESCRIPTION	QTY.	COLOUR
4	MALE BACK SEAL	1	RUST RED
3	MALE REAR COVER	1	BLACK
2	MALE FRONT COVER (TPA)	1	GREEN
1	MALE HOUSING	1	BLACK
No.	DESCRIPTION	QTY.	COLOUR

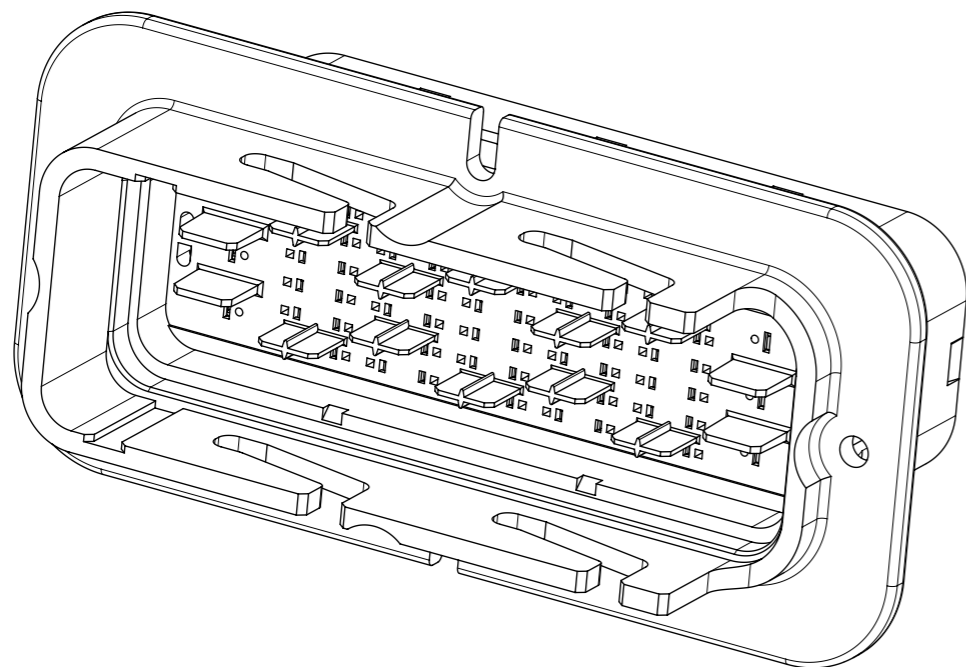
BILL OF MATERIAL

QUALITY SYMBOLS				THIS DRAWING CONTAINS INFORMATION THAT IS PROPRIETARY TO MOLEX ELECTRONIC TECHNOLOGIES, LLC AND SHOULD NOT BE USED WITHOUT WRITTEN PERMISSION			
▽ = 0	▽ = 0	▽ = 0	▽ = 0	REPLACE SD-85083-300	EC NO: 102579	DRWN: AJOBRIEN	CHKD: JDWALLACE
▽ = 0	▽ = 0	▽ = 0	▽ = 0	2016/01/21	2016/01/26	2016/01/26	2016/01/26
▽ = 0	▽ = 0	▽ = 0	▽ = 0	GENERAL TOLERANCES (UNLESS SPECIFIED)	DIMENSION UNITS	SCALE	
▽ = 0	▽ = 0	▽ = 0	▽ = 0	mm	1:1		
▽ = 0	▽ = 0	▽ = 0	▽ = 0	ANGULAR TOL ± 0.5 °	DRWN BY	DATE	
▽ = 0	▽ = 0	▽ = 0	▽ = 0	4 PLACES ±	AJOBRIEN	2016/01/21	
▽ = 0	▽ = 0	▽ = 0	▽ = 0	3 PLACES ±	CHK'D BY	DATE	
▽ = 0	▽ = 0	▽ = 0	▽ = 0	2 PLACES ± 0.2	SMCGREEVY		
▽ = 0	▽ = 0	▽ = 0	▽ = 0	1 PLACE ± 0.5	APPR BY	DATE	
▽ = 0	▽ = 0	▽ = 0	▽ = 0	0 PLACES ±	JDWALLACE	2016/01/26	
▽ = 0	▽ = 0	▽ = 0	▽ = 0	DRAFT WHERE APPLICABLE MUST REMAIN WITHIN DIMENSIONS	DRAWING SIZE	THIRD ANGLE PROJECTION	
▽ = 0	▽ = 0	▽ = 0	▽ = 0	A2			
				<b>molex</b>			
				SRC MALE 60+6AG ASSY/ 60+6AG WITH 2.5MM <sup>2</sup>			
				PRODUCT CUSTOMER DRAWING			
		SERIES		MATERIAL NUMBER		CUSTOMER	
		85083		SEE NOTES		GENERAL MARKET	
RELEASE STATUS		RELEASE DATE		DOCUMENT NUMBER		DOC TYPE	
P1		2016/01/26 09:47:47		850830300		PSD	
				DOC PART		SHEET NUMBER	
				000		1 OF 2	



SECTION M-M

4	MALE BACK SEAL	1	RUST RED
3	MALE REAR COVER	1	BLACK
2	MALE FRONT COVER (TPA)	1	GREEN
1	MALE HOUSING	1	BLACK
No.	DESCRIPTION	QTY.	COLOUR
BILL OF MATERIAL			

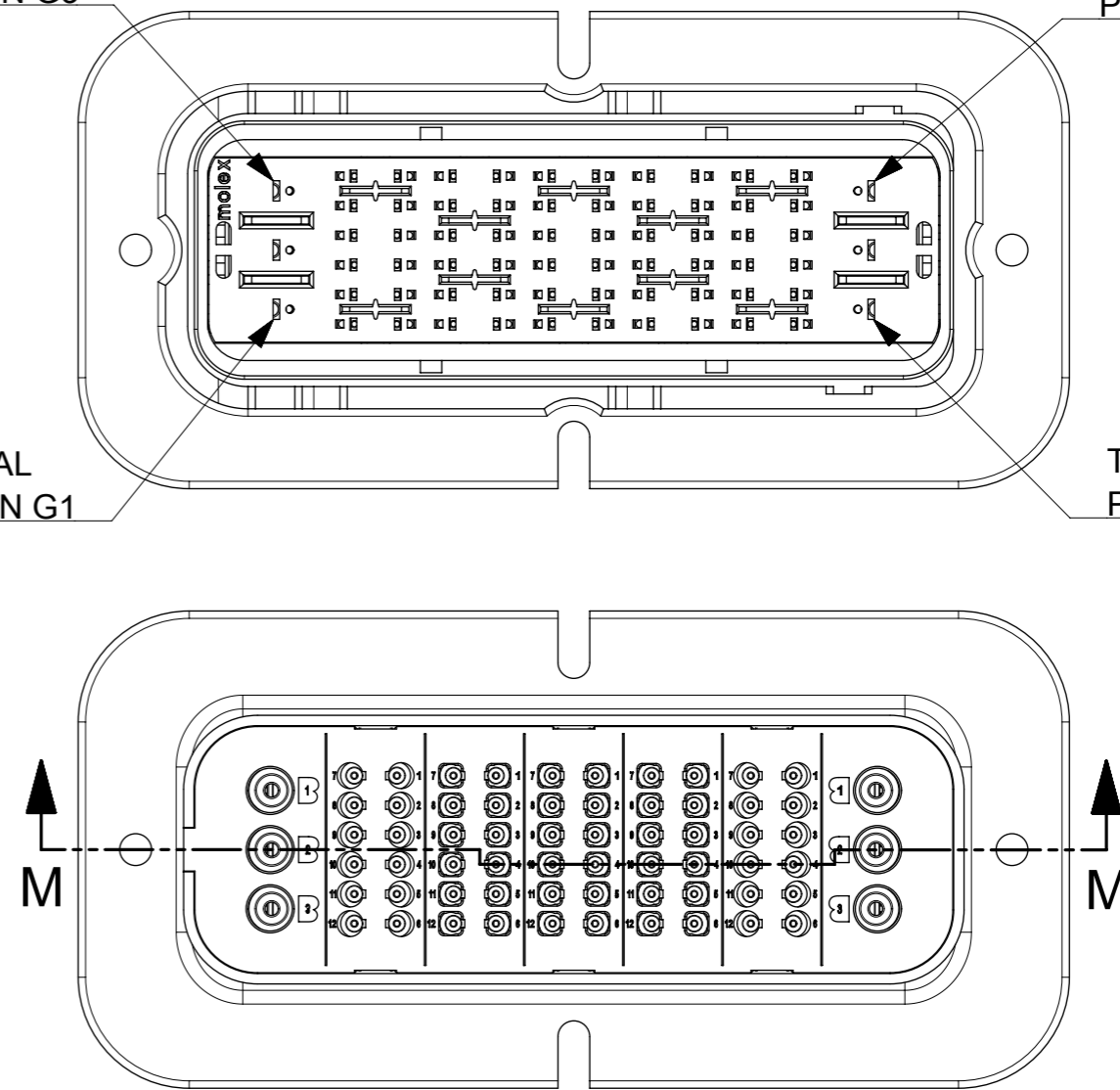


TERMINAL POSITION G3

TERMINAL POSITION A3

TERMINAL POSITION G1

TERMINAL POSITION A1



NOTES:

1. REFERENCE SHEET 1 FOR UNSPECIFIED NOTES AND DIMENSIONS
2. MX150 BLADE TERMINALS PER SD-33000-001 TO BE USED WITH THIS ASSEMBLY IN CAVITIES C, D AND E, CRIMPED WITH CABLE INSULATION OUTER DIAMETER IN THE RANGE 1.5mm TO 2.7mm
3. SRC BLADE TERMINALS PER 936420010 PSD MAY BE USED WITH THIS ASSEMBLY IN CAVITIES B AND F, CRIMPED WITH 2.5mm<sup>2</sup> (13AWG) CABLE INSULATION OUTER DIAMETER IN THE RANGE 2.7mm TO 3.0mm
4. MX150L BLADE TERMINALS PER SD-19431-00\* TO BE USED WITH THIS ASSEMBLY IN CAVITIES A AND G, CRIMPED WITH CABLE INSULATION OUTER DIAMETER IN THE RANGE 3.0mm TO 5.0mm
5. MATES WITH: SRC 60+6AG POWER 2.5 RECEPTACLE HOUSING ASSEMBLY PART NUMBER 850846025 PER 850840700 PSD

QUALITY SYMBOLS ▽ = 0 ▽ = 0 ▽ = 0 ▽ = 0 ▽ = 0 ▽ = 0 ▽ = 0 ▽ = 0 ▽ = 0 ▽ = 0	THIS DRAWING CONTAINS INFORMATION THAT IS PROPRIETARY TO MOLEX ELECTRONIC TECHNOLOGIES, LLC AND SHOULD NOT BE USED WITHOUT WRITTEN PERMISSION				DIMENSION UNITS <b>mm</b>		SCALE <b>1:1</b>					
	REPLACE SD-85083-300 EC NO: 102579 DRWN: AJOBRIEN CHK'D: JDWALLACE APPR: JDWALLACE	2016/01/21	2016/01/26	GENERAL TOLERANCES (UNLESS SPECIFIED) ANGULAR TOL ± 0.5 °		DRWN BY	DATE					
4 PLACES ±		3 PLACES ±	4 PLACES ± 3 PLACES ± 2 PLACES ± 0.2 1 PLACE ± 0.5 0 PLACES ±		AJOBRIEN	2016/01/21		PRODUCT CUSTOMER DRAWING				
DRAFT WHERE APPLICABLE MUST REMAIN WITHIN DIMENSIONS		4 PLACES ± 3 PLACES ± 2 PLACES ± 0.2 1 PLACE ± 0.5 0 PLACES ±		CHK'D BY	DATE		SERIES					MATERIAL NUMBER
		4 PLACES ± 3 PLACES ± 2 PLACES ± 0.2 1 PLACE ± 0.5 0 PLACES ±		SMCGREEVY	2016/01/26		85083	SEE NOTES	GENERAL MARKET			
		4 PLACES ± 3 PLACES ± 2 PLACES ± 0.2 1 PLACE ± 0.5 0 PLACES ±		JDWALLACE	2016/01/26		DOCUMENT NUMBER		DOC TYPE	DOC PART	SHEET NUMBER	
		4 PLACES ± 3 PLACES ± 2 PLACES ± 0.2 1 PLACE ± 0.5 0 PLACES ±		DRAWING SIZE <b>A3</b>		THIRD ANGLE PROJECTION 		850830300		PSD	000	2 OF 2