

Distributed by:

JAMECO[®]
ELECTRONICS

www.Jameco.com ♦ 1-800-831-4242

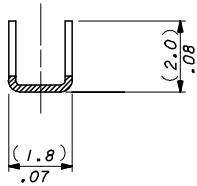
The content and copyrights of the attached
material are the property of its owner.

Jameco Part Number 1297758

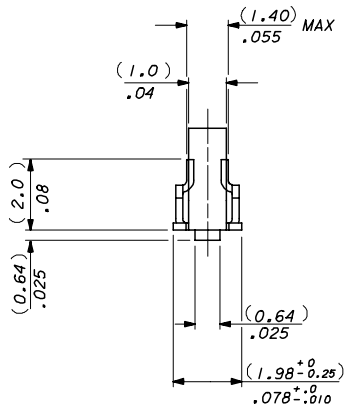
NOTES*

1. MATERIAL: (0.2)/.008 THICK BRASS 70/30, FOR MATL. SPEC SEE SHEET 2.
2. SUITABLE FOR 22-30 GA WIRE, (1.57)/.062 MAX INSULATION.
3. CODE LETTER PRECEDING PART No DESIGNATES MANUFG. LOCATION, I=IRELAND.
4. TERMINAL MUST MEET BEND SPEC. SDES-219.
5. THIS PART CONFORMS TO PROD. SPEC.99020-0088

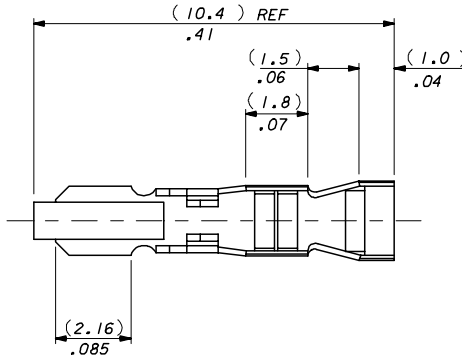
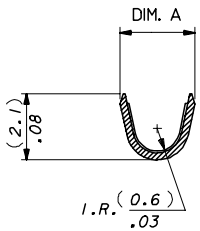
SECTION D-D
(4809-1T ONLY)



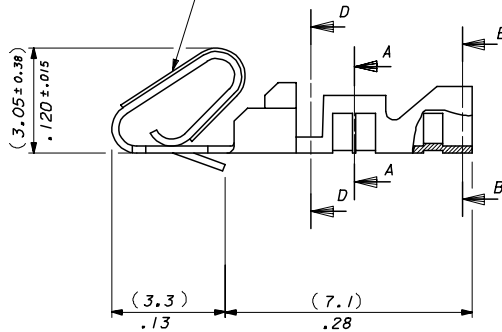
SECTION B-B



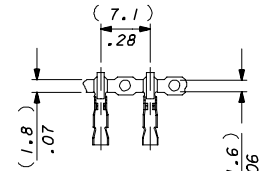
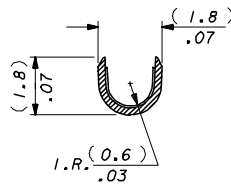
SECTION A-A



SELECTIVE PLATING AREA,
SEE CHART AND SDES-186



SECTION A-A



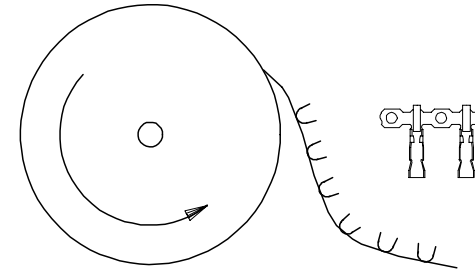
CARRIER STRIP DETAIL
SCALE 2:1

- 4809-(*)**
- BLANK : DIM. A = (2.45-1.75) / .096-.069
 - M: DIM A = (2.35-2.05) / .093-.081
 - BLANK-CHAIN FORM TOP FEEDING REEL
 - L-LOOSE FORM
 - BF-CHAIN FORM, BOTTOM FEEDING REEL
- PLATING CODE

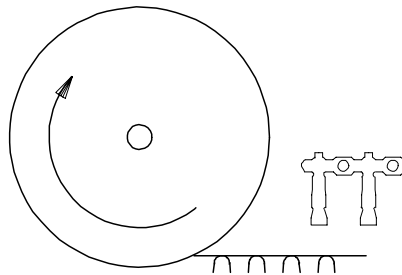
DIM CORRECTION EC NO. E2007-0218 DRAWN: JDENNEHY 2006/09/15 CHKD: DMOR IARTY 2006/09/15 APPR: JDENNEHY 2006/10/11	QUALITY SYMBOLS ▽=0 ▽=0	GENERAL TOLERANCES (UNLESS SPECIFIED)		DIMENSION STYLE	SCALE	DESIGN UNITS	THIRD ANGLE PROJECTION
		mm	INCH	MM/IN	10:1	METRIC	
AL	DESCRIPTION	4 PLACES ± .005 ± .005	3 PLACES ± .010 ± .010	DRAWN BY	DATE	TITLE	
		2 PLACES ± 0.25 ± .014	1 PLACE ± 0.35 ± .014	MCC	1986/07/30	ANTI-FISH HOOKING TERMINAL KK.(2.50)/.100	
		ANGULAR ± ---°		CHECKED BY	DATE	MOLEX INCORPORATED	
		DRAFT WHERE APPLICABLE MUST REMAIN WITHIN DIMENSIONS		DMOR IARTY	2004/10/18	DOCUMENT NO. SD-4809-*	
		SEE CHART		APPROVED BY	DATE	SHEET NO. 1 OF 2	
		THIS DRAWING CONTAINS INFORMATION THAT IS PROPRIETARY TO MOLEX INCORPORATED AND SHOULD NOT BE USED WITHOUT WRITTEN PERMISSION		JDENNEHY	2004/10/19		

FINISH NOTES*

- (P902) HOT TIN DIP 1.0- 2.5UM/(.000040 - .000100)
- (999) UNPLATED
- (109) ELECTRO TIN PLATE (7.6-10UM)/.000300-.000400 OVER (1.25-2.0UM)/.000050-.000080 COPPER.
- (505) GOLD PLATE (1.25-1.5UM)/.000050-.000060 OVER (1.25-2.0UM)/.000050-.000080 NICKEL.
- (506) GOLD PLATE (1.25-1.5UM)/.000050-.000060 OVER (2.5-3.25UM)/.000100-.000130 NICKEL.
- (507) GOLD PLATE (2.5-2.75UM)/.000100-.000110 OVER (1.25-2.0UM)/.000050-.000080 NICKEL.
- (509) GOLD PLATE (1.25-1.5UM)/.000050-.000060 OVER (0.76-2.0UM)/.000030-.000080 NICKEL.
- (550) GOLD PLATE (0.38-0.63UM)/.000015-.000025 OVER (0.76-1.5UM)/.000030-.000060 NICKEL IN CONTACT AREA WITH (0.12UM)/.000005 MIN. GOLD FLASH OVERALL.
- (555) SELECTIVE GOLD (0.38UM)/.000015 OVER (0.76UM)/.000030 IN CONTACT AREA ONLY.
- (558) GOLD PLATE (0.76-1.5UM)/.000030-.000060 OVER (1.25-2.0UM)/.000050-.000080 NICKEL IN CONTACT AREA WITH (0.12UM)/.000005 MIN. GOLD FLASH OVERALL.



TERMINALS FEEDING FROM THE TOP OF THE REEL ARE STANDARD WOUND



TERMINALS FEEDING FROM THE BOTTOM OF THE REEL ARE REVERSE WOUND SEE NOTE 5

I	08-50-0022	4809-(109)BF	CHAIN	(109)	(2.1),083 REF
I	40-01-0831	↑ -(999)BF	↑	(999)	(2.1),083 REF
	NT	-(505)BF		(505)	(2.1),083 REF
	NT	-(507)BF		(507)	(2.1),083 REF
I	08-55-0119	↓ -(555)BF	↓	(555)	(2.1),083 REF
I	08-56-0155	↓ -(550)BF	↓	(550)	(2.1),083 REF
I	08-50-0021	4809-(P902)BF	CHAIN	(P902)	(2.1),083 REF
	PART No	ENG No	FORM	FINISH	DIM . A

BOTTOM FEEDING REELS ONLY

	NT	4809-(506)	CHAIN	(506)	ES-99001-0014	(2.1),083 REF
	NT	↑ -(506)JL	LOOSE	(506)		(2.1),083 REF
I	08-56-0158	↓ -(558)JL	CHAIN	(558)		(2.1),083 REF
	NT	-(558)JL	LOOSE	(558)		(2.1),083 REF
	NT	-(509)JL	CHAIN	(509)		(2.1),083 REF
	NT	-(509)JL	LOOSE	(509)		(2.1),083 REF
	NT	-(109)JL	CHAIN	(109)		(2.1),083 REF
	NT	-(109)JL	LOOSE	(109)		(2.1),083 REF
I	40-01-0829	↓ -(999)JL	CHAIN	(999)		(2.1),083 REF
I	40-01-0830	↓ -(999)JL	LOOSE	(999)		(2.1),083 REF
	NT	-(505)JL	CHAIN	(505)		(2.1),083 REF
	NT	-(505)JL	LOOSE	(505)		(2.1),083 REF
	NT	-(507)JL	CHAIN	(507)		(2.1),083 REF
	NT	-(507)JL	LOOSE	(507)		(2.1),083 REF
I	08-55-0110	↓ -(555)JL	CHAIN	(555)		(2.1),083 REF
I	08-55-0111	↓ -(555)JL	LOOSE	(555)		(2.1),083 REF
	08-56-0120	↓ -(550)JL	CHAIN	(550)	ES-99001-0014	(2.1),083 REF
	08-56-0115	↓ -(550)JL	LOOSE	(550)		(2.1),083 REF
I	08-50-0135	↓ -(P902)JL	CHAIN	(P914)	ES-99001-0015	(2.1),083 REF
I	08-50-0136	4809-(P902)JL	LOOSE	(P914)	ES-99001-0015	(2.1),083 REF
	PART No	ENG No	FORM	FINISH	MATL. SPEC.	DIM . A

TOP FEEDING REELS ONLY

ADDED PART OPTION ECC No: E2005-0286 DRWNG: GSWEN 2004/11/03 CHKD: DMOR IART 2004/11/03 APPR: JDEWNEY 2004/11/04 REV	DESCRIPTION	QUALITY SYMBOLS ▽=0 ▽=0	GENERAL TOLERANCES (UNLESS SPECIFIED) mm INCH 4 PLACES ± --- ± --- 3 PLACES ± --- ± .010 2 PLACES ± 0.25 ± .014 1 PLACE ± 0.35 ± --- ANGULAR ± --- °	DIMENSION STYLE MM/IN	SCALE NTS	DESIGN UNITS METRIC	THIRD ANGLE PROJECTION	TITLE ANTI-FISH HOOKING TERMINAL KK,(2.50)/.100

THIS DRAWING CONTAINS INFORMATION THAT IS PROPRIETARY TO MOLEX INCORPORATED AND SHOULD NOT BE USED WITHOUT WRITTEN PERMISSION