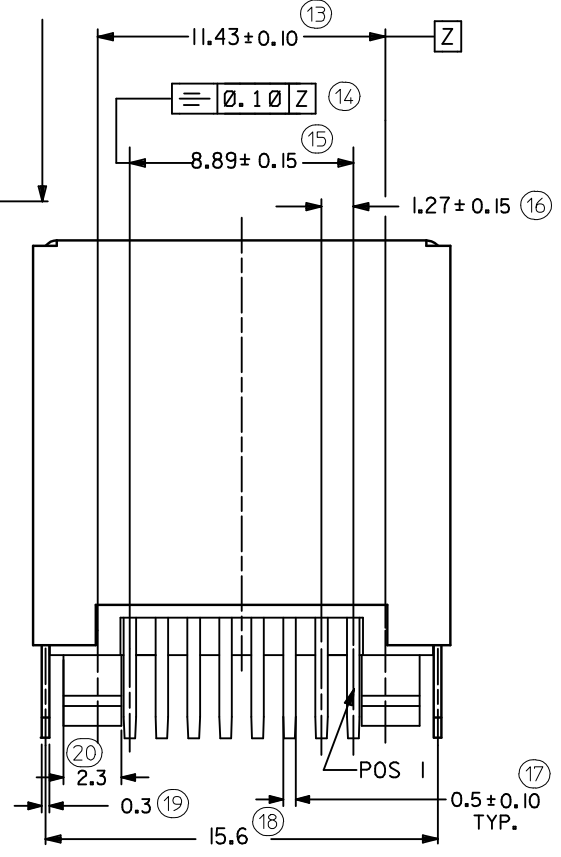
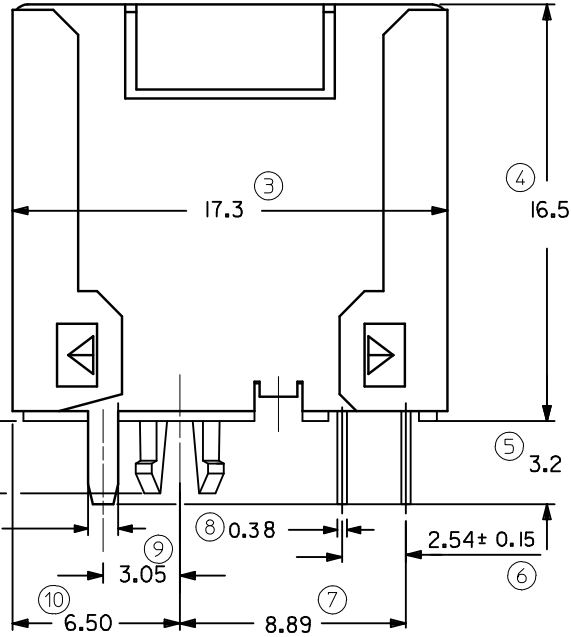
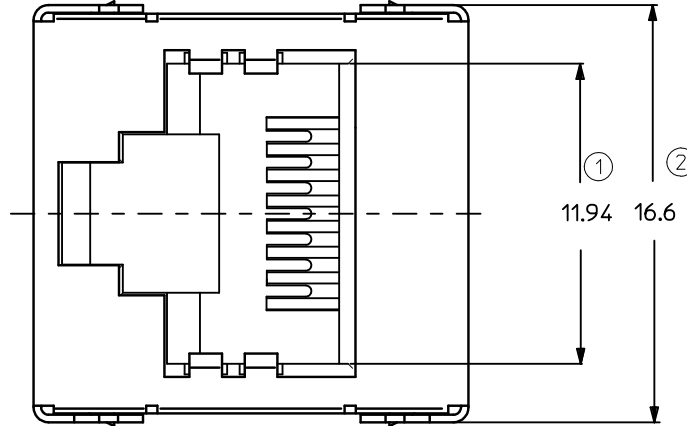
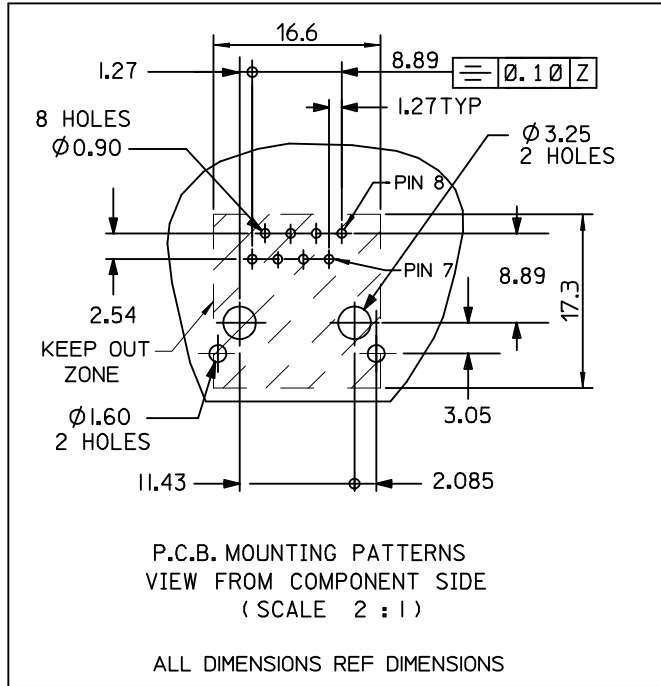


TECHNICAL SPECIFICATIONS:

1- MATERIAL: HOUSING: LCP G.F. UL94V0 COLOR : BLACK
 TERMINAL : PHOSPHOR BRONZE PLATED WITH
 BASE FINISH: NICKEL
 CONTACT SURFACE FINISH:
 GOLD
 OR
 GOLD FLASH OVER PALLADIUM NICKEL.
 EXCEEDS PRODUCT REQUIREMENTS BASED ON PS-85508-001
 SHIELD : BRASS PLATED WITH 0.0020 MIN TIN

PART NUMBER	TOOLED	PCB THICKNESS
85508-5001	YES	1.57



NOTES :

- 1- JACK FOR MATING WITH F.C.C. 68 PLUGS 95043 MOLEX SERIES.
 - 2- PRODUCT SPECIFICATION: MOLEX PS-85508-001.
 - 3- APPLICATION SPECIFICATION: AS-85513-001
 - 4- PACKAGING SPECIFICATION: MOLEX PK-95123.
 - 5- EXCEEDS CATEGORY 5E PERFORMANCE.
- LAST INSPECTION NUMBER: 20

SHIELD UPDATED	EC NO: IPG2016-0363	DRWN:DBYRNES	CHKD:	APPR:STGRIFFIN	2015/04/08	2016/03/25	QUALITY SYMBOLS	GENERAL TOLERANCES (UNLESS SPECIFIED)		DIMENSION STYLE MM ONLY		SCALE 5:1	DESIGN UNITS METRIC	THIRD ANGLE PROJECTION
	mm		INCH		DRAWN BY DBYRNES		DATE 2006/11/14		TITLE CAT 5E MODULAR JACK TOP ENTRY 8 CKTS THROUGH HOLE VERSION		MOLEX MOLEX INCORPORATED		DOCUMENT NO. SD-85508-501	
	4 PLACES ± --- ± ---		3 PLACES ± --- ± ---		2 PLACES ± 0.25 ± ---		1 PLACE ± 0.35 ± ---		APPROVED BY FSMITH		DATE 2010/04/09		SHEET NO. 1 OF 1	
	ANGULAR ± 2 °		DRAFT WHERE APPLICABLE MUST REMAIN WITHIN DIMENSIONS		SIZE A3		THIS DRAWING CONTAINS INFORMATION THAT IS PROPRIETARY TO MOLEX INCORPORATED AND SHOULD NOT BE USED WITHOUT WRITTEN PERMISSION							