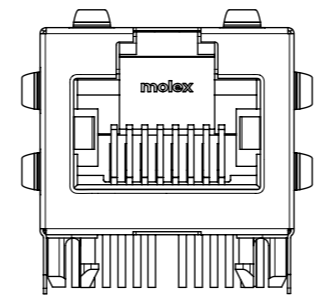
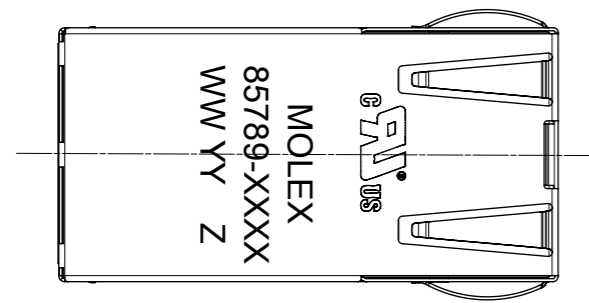
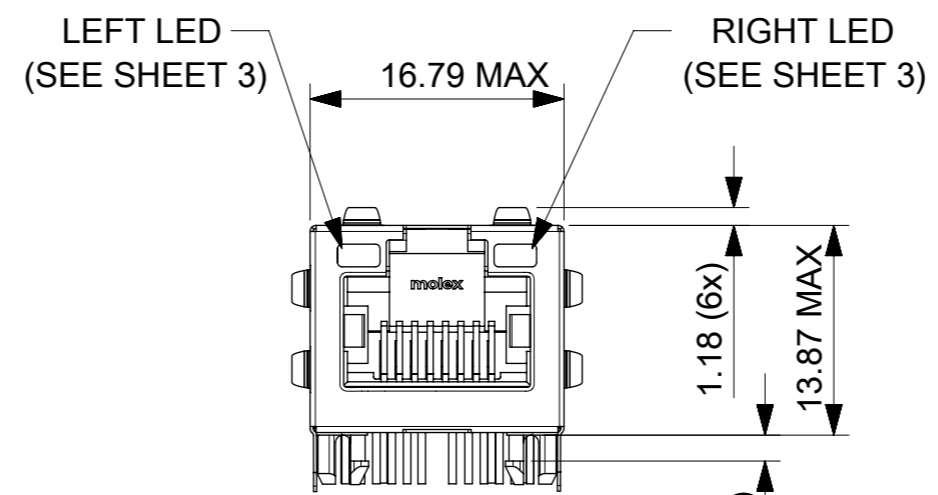
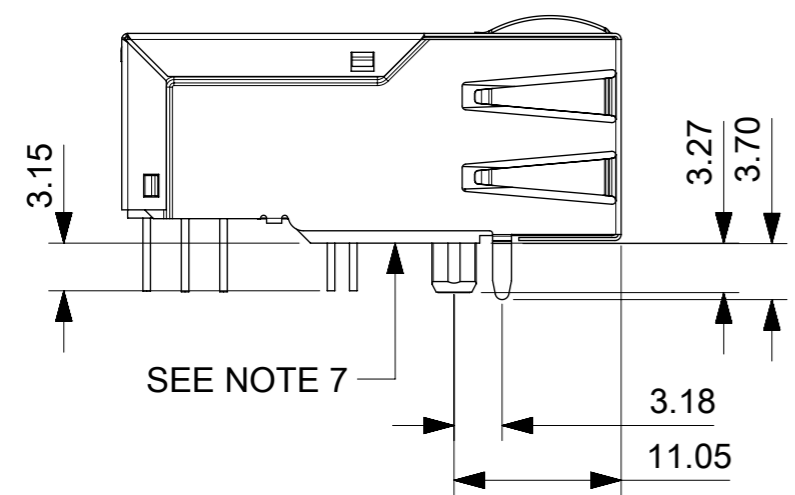


GIGABIT SINGLE PORT MAGNETIC JACK
PoE+ MAGNETICS ACC. TO IEEE802.3at
FOR PSE OR PD APPLICATIONS

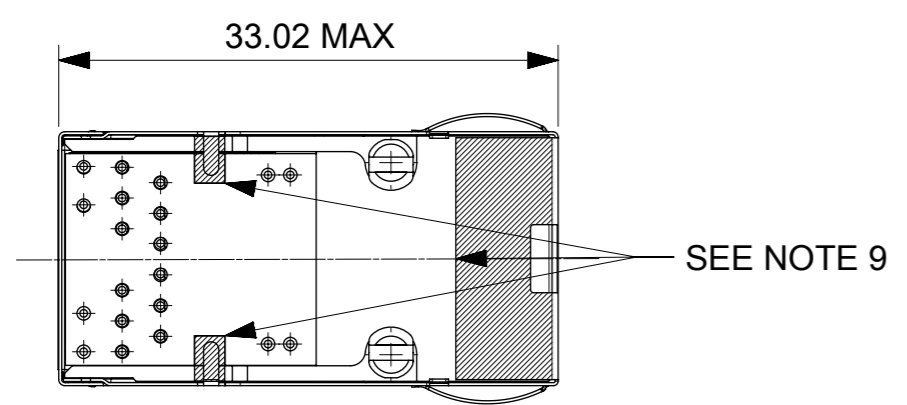
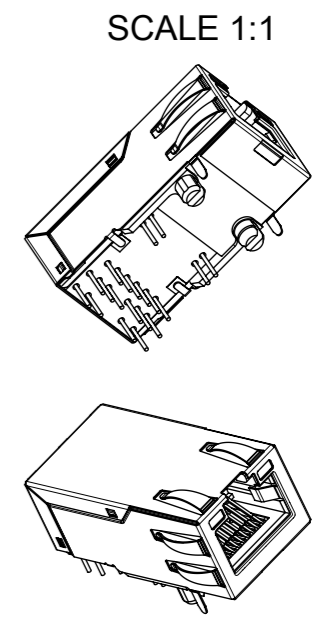
- NOTES:**
- 1 - SHIELD MATERIAL: STAINLESS STEEL
(GROUND PINS ARE SOLDER DIPPED)
 - 2 - PLASTIC MATERIAL: PBT, BLACK, UL 94V-0
 - 3 - RJ45 TERMINALS MATERIAL: COPPER ALLOY
CONTACT PLATING: 0.76 MICROMETER GOLD
PHY TERMINALS: TIN PLATED
 - 4 - MATING INTERFACE ACCORDING TO IEC 60603-7
 - 5 - PRODUCT SPECIFICATION: PS-85789-001
 - 6 - PACKAGING SPECIFICATION: PK-85759-001
 - 7 - STAND OFF TO SYSTEM BOARD
 - 8 - RECOMMENDED PCB THICKNESS: 1.6mm / 0.067inch
 - 9 - SHIELD AND SHIELD LATCHES: AVOID TO ROUTE TRACES OR TO PLACE ANY VIAS OR PADS IN THIS AREA.
 - 10 - INSCRIPTION MARKED BY LASER:
UL LOGO
1st : MOLEX
2st : P/N (SEE BOM)
3rd : DATE CODE(WEEK/YEAR)
Z=> MANUFACTURER CODE



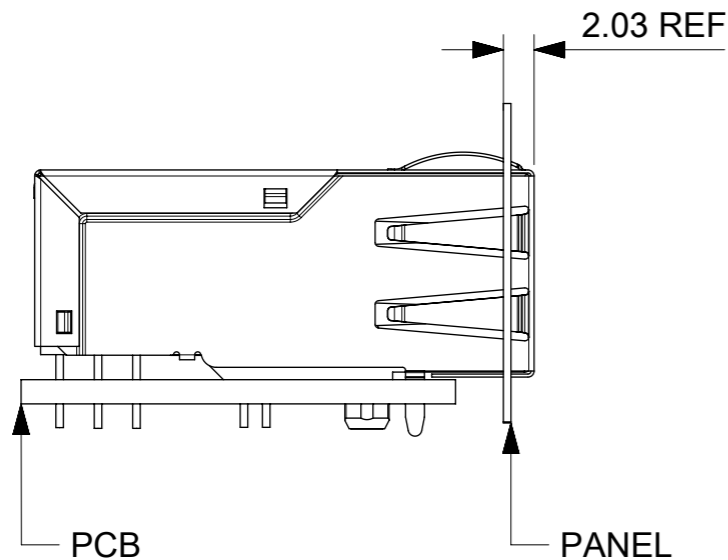
FRONT VIEW
NON LED VERSION
P/N 85789-1020



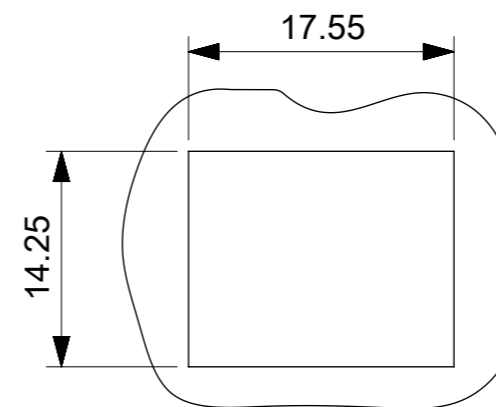
FRONT VIEW
LED VERSION
P/N SEE BOM ON SHEET 3



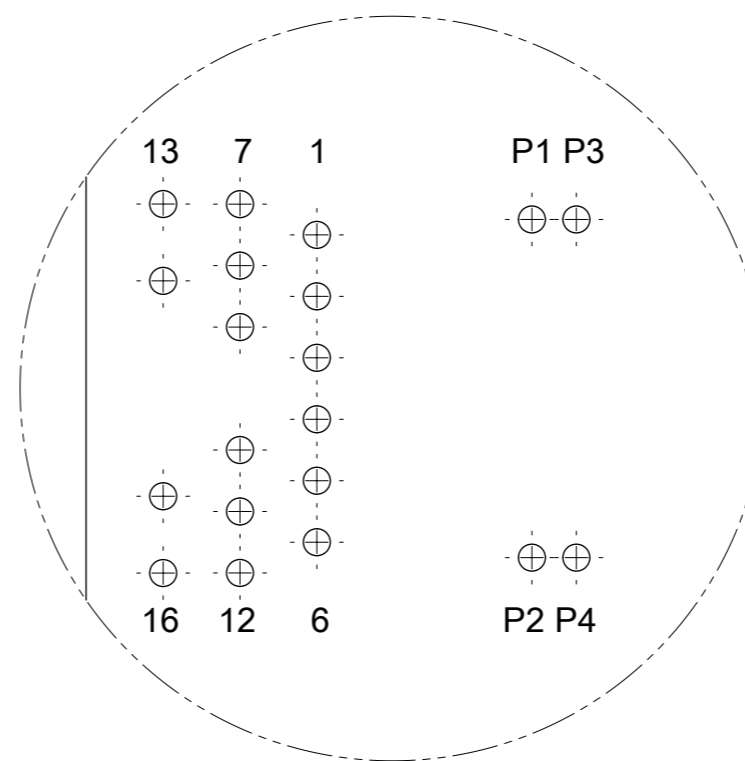
| | | | | | | | | | | |
|---|--|---|---|------------------------|-----------------|--------------------------------------|----------|------------------------------|-----------------|-----------------|
| THIS DRAWING CONTAINS INFORMATION THAT IS PROPRIETARY TO MOLEX INCORPORATED AND SHOULD NOT BE USED WITHOUT WRITTEN PERMISSION | | | | | | | | | | |
| EC DESCRIPTION EC NO: 102890 DRWN: MFURKEL CHK'D: RSILLER APPR: RSILLER | 2015/09/28 2016/02/23 2016/02/23 | QUALITY SYMBOLS ▽ = 0 ▽ = 0 ▽ = 0 ▼ = 0 ▽ = 0 ⊠ = 0 ■ = 0 ▽ = 0 | GENERAL TOLERANCES (UNLESS SPECIFIED) ANGULAR TOL ± 0.5 ° 4 PLACES ± 3 PLACES ± 2 PLACES ± 0.25 1 PLACE ± 0.5 0 PLACES ± DRAFT WHERE APPLICABLE MUST REMAIN WITHIN DIMENSIONS | DIMENSION UNITS mm | SCALE 2:1 | | | | | |
| | DRWN BY MFURKEL | DATE 2015/06/15 | GIGABIT MAGNETIC JACK POE PLUS ENABLED | | | | | | | |
| | CHK'D BY RSILLER | DATE 2016/02/23 | PRODUCT CUSTOMER DRAWING | | | | | | | |
| | APPR BY RSILLER | DATE 2016/02/23 | DRAWING SIZE A3 | THIRD ANGLE PROJECTION | SERIES 85789 | MATERIAL NUMBER SEE BOM/SHEET 3/4 | CUSTOMER | DOCUMENT NUMBER 857891001 | DOC TYPE PSD | DOC PART 000 |



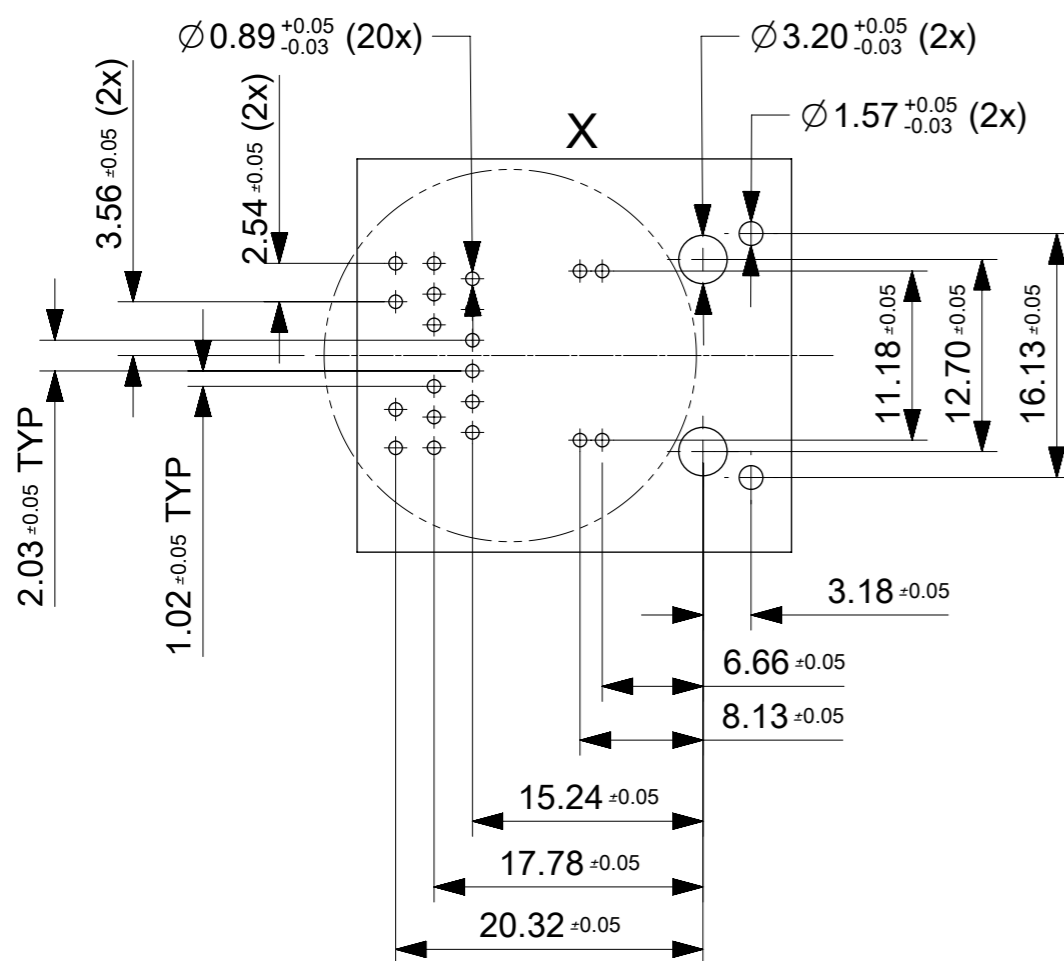
SUGGESTED PANEL CUTOUT



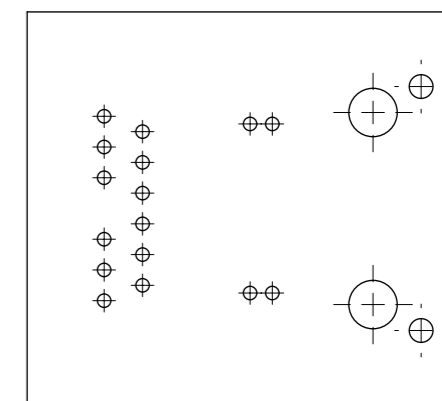
DETAIL X
SCALE 4:1
PIN CONFIGURATION



SUGGESTED BOARD LAYOUT- COMPONENT SIDE

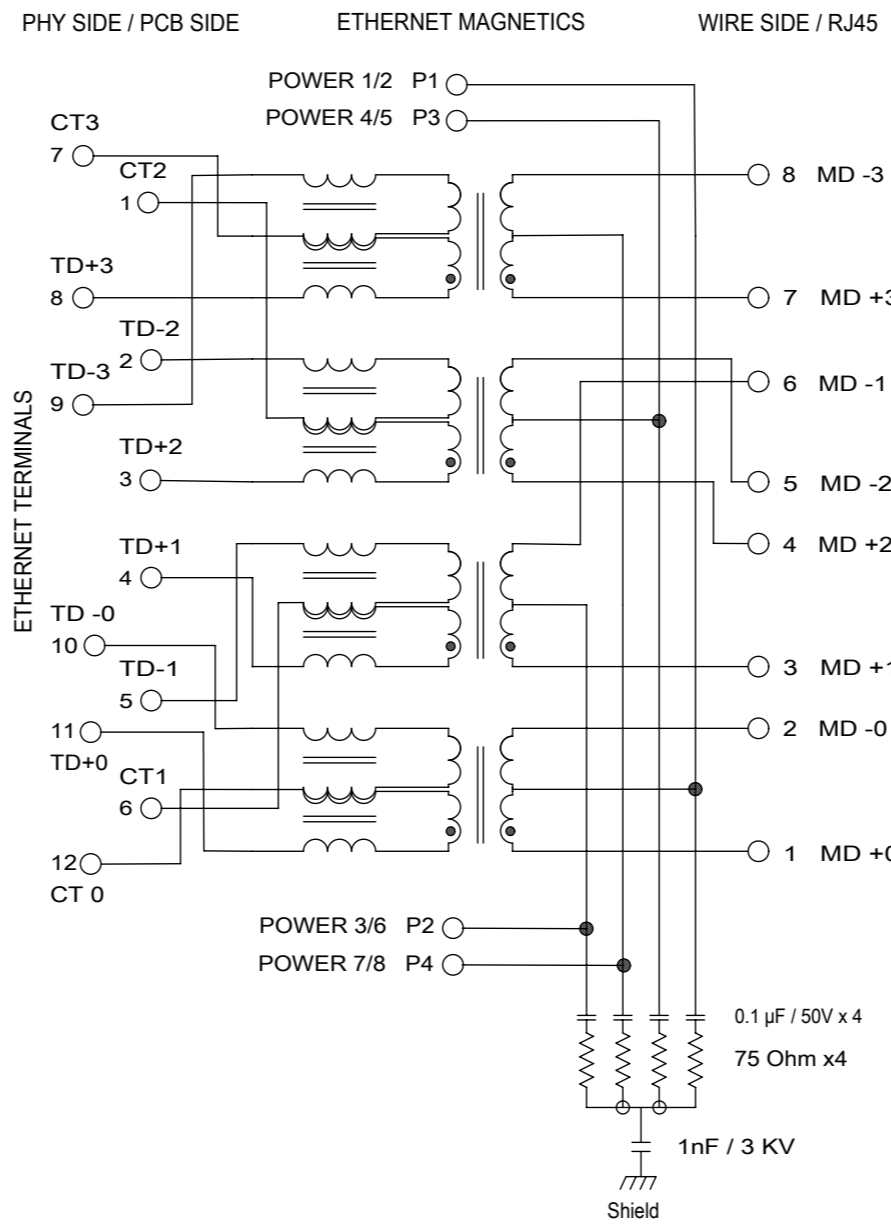


SUGGESTED BOARD LAYOUT FOR NON LED VERSION



| THIS DRAWING CONTAINS INFORMATION THAT IS PROPRIETARY TO MOLEX INCORPORATED AND SHOULD NOT BE USED WITHOUT WRITTEN PERMISSION | | | | | | | | | | |
|---|------------|------------|-----------------|---|---------------------------------------|------------------------|---------------------------|-----------------------------------|--------------|---------------------|
| EC DESCRIPTION EC NO: 102890 DRWN: MFURKEL CHK'D: RSILLER APPR: RSILLER | 2015/09/28 | 2016/02/23 | 2016/02/23 | QUALITY SYMBOLS ▽ = 0 ▽ = 0 ▽ = 0 ▼ = 0 ▽ = 0 ☒ = 0 ■ = 0 ▽ = 0 | GENERAL TOLERANCES (UNLESS SPECIFIED) | | DIMENSION UNITS | SCALE | | |
| | | | | | ANGULAR TOL ± 0.5 ° | | mm | 2:1 | | |
| | | | | | 4 PLACES ± | DRWN BY MFURKEL | | DATE 2015/06/15 | | |
| | | | | | 3 PLACES ± | CHK'D BY | | DATE | | |
| | | | 2 PLACES ± 0.25 | APPR BY RSILLER | | DATE 2016/02/23 | PRODUCT CUSTOMER DRAWING | | | |
| | | | 1 PLACE ± 0.5 | DRAWING SIZE | | THIRD ANGLE PROJECTION | SERIES 85789 | MATERIAL NUMBER SEE BOM/SHEET 3/4 | CUSTOMER | |
| | | | 0 PLACES ± | DRAFT WHERE APPLICABLE MUST REMAIN WITHIN DIMENSIONS | | A3 | DOCUMENT NUMBER 857891001 | DOC TYPE PSD | DOC PART 000 | SHEET NUMBER 2 OF 4 |

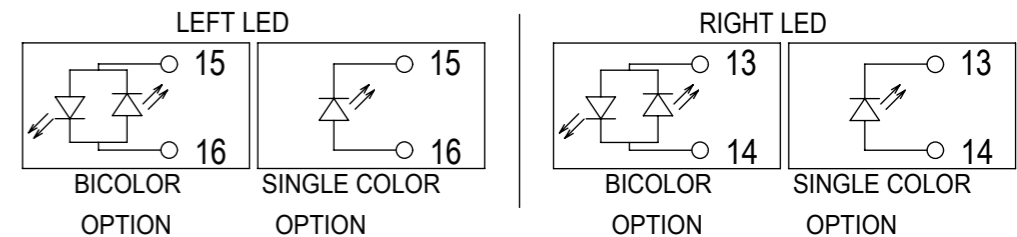
| Electrical Specifications @25°C | | |
|--|--------------------|--------------------------|
| Operating temperature (0°C to +70°C) | | |
| Description | VALUE | |
| OCL POE+TRANSF. 20mA bias (0°C to +70°C) | 350µH min. | |
| OCL NONPOE TRANSF. 8mA bias (0°C to +70°C) | 350µH min. | |
| Turns Ratio | 1CT:1CT | |
| Insertion Loss | | |
| Frequency (MHz) | Limits (dB max.) | Typical Values (dB max.) |
| 1.0-9.9 MHz | 0.4+0.1*log(F) | 0.5 @ 10MHz |
| 10-49.9 MHz | 0.5+0.3*log(F/10) | 0.7 @ 50MHz |
| 50-79.9 MHz | 1+1.4*log(F/80) | 1.0 @ 80MHz |
| 80-100 MHz | 1.3+3*log(F/100) | 1.3 @ 100MHz |
| Return Loss | Limits (dB min.) | TYPICAL Values (dB min.) |
| 1-9.9 MHz | 27dB min. | 27 @ 10MHz |
| 10-100 MHz | 27-17*log(F/10) | 10 @ 100MHz |
| CMR | Limits (dB min.) | TYPICAL Values (dB min.) |
| 1-9.9 MHz | 34dB min. | 34 @ 10MHz |
| 10-79.9 MHz | 27dB min. | 27 @ 80MHz |
| 80-199.9 MHz | 27-14.5*log(F/80) | 21.5 @ 200MHz |
| 200-399.9 MHz | 21.5-39*log(F/200) | 10 @ 400MHz |
| 400-1000 MHz | 10 | 10 @ 1000MHz |
| NEXT | Limits (dB min.) | TYPICAL Values (dB min.) |
| 1-5.9 MHz | 50 | 50 @ 6MHz |
| 6-49.9 MHz | 45-16*log(F/10) | 34 @ 50MHz |
| 50-100 MHz | 25-30*log(F/100) | 25 @ 100MHz |
| Isolation PHY to Wire side | 2.25kVDC/60sec | |



| PART NUMBER | LED1 POLARITY | | | LED2 POLARITY | | |
|-------------|---------------|-------|-------|---------------|-------|-------|
| | LEFT LED | | COLOR | RIGHT LED | | COLOR |
| | PIN15 | PIN16 | | PIN13 | PIN14 | |
| 857891001 | - | + | GRN | - | + | GRN |
| 857891003 | - | + | GRN | - | + | GRN |
| 857891006 | - | + | GRN | - | + | YW |
| 857891007 | - | + | GRN | - | + | GRN |
| 857891012 | - | + | YW | - | + | GRN |
| 857891013 | - | + | YW | - | + | YW |
| 857891014 | - | + | GRN | - | + | GRN |
| 857891015 | - | + | GRN | - | + | GRN |
| 857891017 | - | + | GRN | - | + | YW |
| 857891020 | NON LED | | | | | |

ADDITIONAL LED COLORS AND CONFIGURATIONS ARE AVAILABLE ON REQUEST

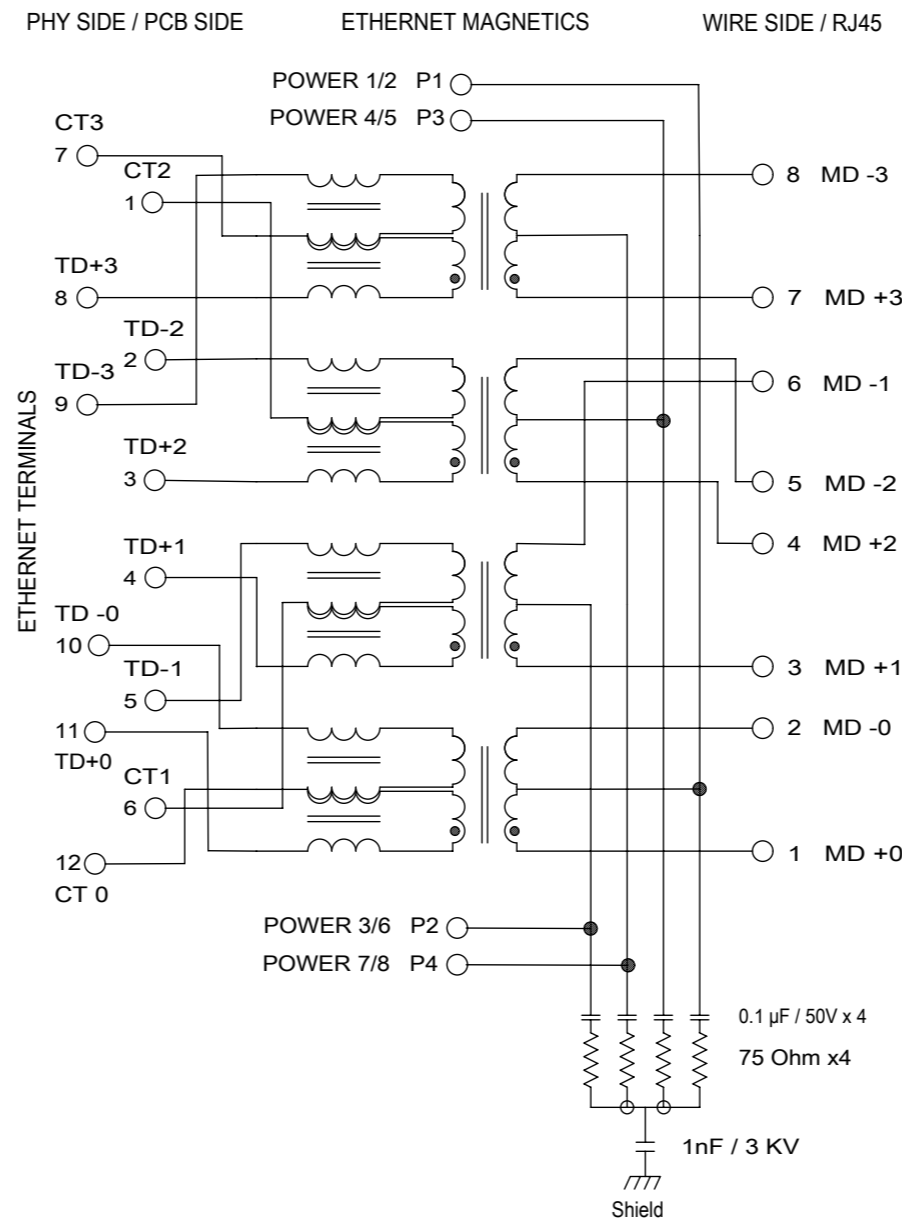
SEE TABLE FOR LED OPTIONS



THIS DRAWING CONTAINS INFORMATION THAT IS PROPRIETARY TO MOLEX INCORPORATED AND SHOULD NOT BE USED WITHOUT WRITTEN PERMISSION

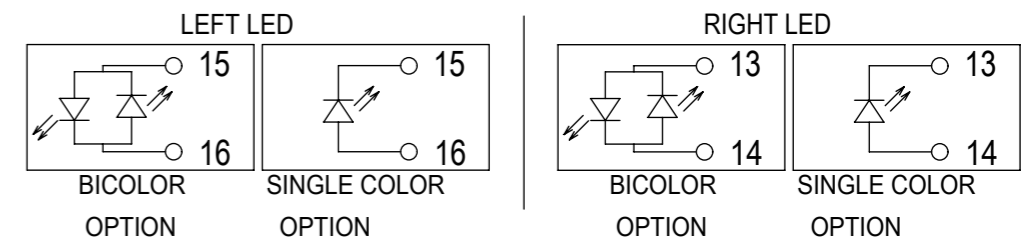
| | | | | | |
|---|--|---|--|--|--|
| EC DESCRIPTION EC NO: 102890 DRWN: MFURKEL CHK'D: RSILLER APPR: RSILLER | 2015/09/28 2016/02/23 2016/02/23 | QUALITY SYMBOLS ▽ = 0 ▽ = 0 ▽ = 0 ▼ = 0 ▽ = 0 ☒ = 0 ■ = 0 ▽ = 0 | GENERAL TOLERANCES (UNLESS SPECIFIED) ANGULAR TOL ± 0.5 ° 4 PLACES ± 3 PLACES ± 2 PLACES ± 0.25 1 PLACE ± 0.5 0 PLACES ± DRAFT WHERE APPLICABLE MUST REMAIN WITHIN DIMENSIONS | DIMENSION UNITS: mm SCALE: 5:1 DRWN BY: MFURKEL DATE: 2015/06/15 CHK'D BY: RSILLER DATE: 2016/02/23 APPR BY: RSILLER DATE: 2016/02/23 DRAWING SIZE: A3 THIRD ANGLE PROJECTION | |
| | GIGABIT MAGNETIC JACK POE PLUS ENABLED | | | PRODUCT CUSTOMER DRAWING | |
| | SERIES: 85789 MATERIAL NUMBER: SEE BOM/SHEET 3/4 CUSTOMER: | | DOCUMENT NUMBER: 857891001 DOC TYPE: PSD DOC PART: 000 SHEET NUMBER: 3 OF 4 | | |

| Electrical Specifications @25°C | | |
|--|--------------------|--------------------------|
| Operating temperature (-40°C to +85°C) | | |
| Description | VALUE | |
| OCL POE+TRANSF. 20mA bias (-40°C to +85°C) | 350µH min. | |
| OCL NONPOE TRANSF. 8mA bias (-40°C to +85°C) | 350µH min. | |
| Turns Ratio | 1CT:1CT | |
| Insertion Loss | | |
| Frequency (MHz) | Limits (dB max.) | Typical Values (dB max.) |
| 1.0-9.9 MHz | 0.4+0.1*log(F) | 0.5 @ 10MHz |
| 10-49.9 MHz | 0.5+0.3*log(F/10) | 0.7 @ 50MHz |
| 50-79.9 MHz | 1+1.4*log(F/80) | 1.0 @ 80MHz |
| 80-100 MHz | 1.3+3*log(F/100) | 1.3 @ 100MHz |
| Return Loss | Limits (dB min.) | TYPICAL Values (dB min.) |
| Frequency (MHz) | | |
| 1-9.9 MHz | 27dB min. | 27 @ 10MHz |
| 10-100 MHz | 27-17*log(F/10) | 10 @ 100MHz |
| CMR | Limits (dB min.) | TYPICAL Values (dB min.) |
| Frequency (MHz) | | |
| 1-9.9 MHz | 34dB min. | 34 @ 10MHz |
| 10-79.9 MHz | 27dB min. | 27 @ 80MHz |
| 80-199.9 MHz | 27-14.5*log(F/80) | 21.5 @ 200MHz |
| 200-399.9 MHz | 21.5-39*log(F/200) | 10 @ 400MHz |
| 400-1000 MHz | 10 | 10 @ 1000MHz |
| NEXT | Limits (dB min.) | TYPICAL Values (dB min.) |
| Frequency (MHz) | | |
| 1-5.9 MHz | 50 | 50 @ 6MHz |
| 6-49.9 MHz | 45-16*log(F/10) | 34 @ 50MHz |
| 50-100 MHz | 25-30*log(F/100) | 25 @ 100MHz |
| Isolation PHY to Wire side | 2.25kVDC/60sec | |



| PART NUMBER | LED1 POLARITY | | | LED2 POLARITY | | |
|-------------|---------------|-------|-------|---------------|-------|-------|
| | LEFT LED | | | RIGHT LED | | |
| | PIN15 | PIN16 | COLOR | PIN13 | PIN14 | COLOR |
| 857893006 | - | + | GRN | - | + | YW |
| 857893016 | - | + | GRN | - | + | GRN |
| | + | - | YW | | | |

ADDITIONAL LED COLORS AND CONFIGURATIONS ARE AVAILABLE ON REQUEST

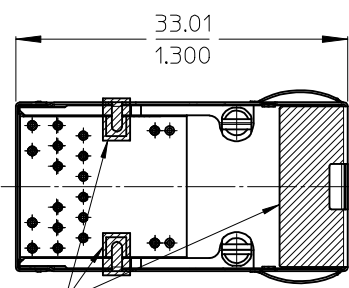
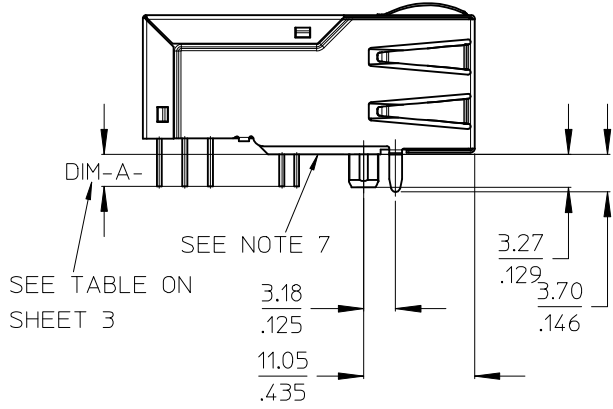
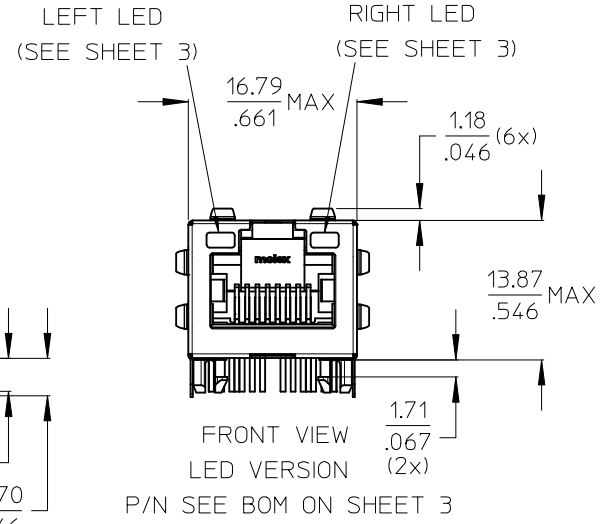
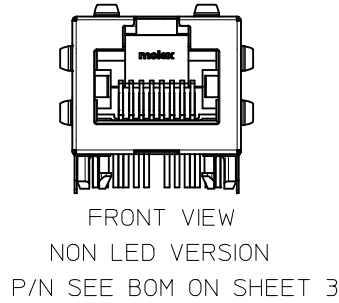
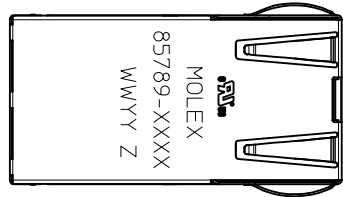


SEE TABLE FOR LED OPTIONS

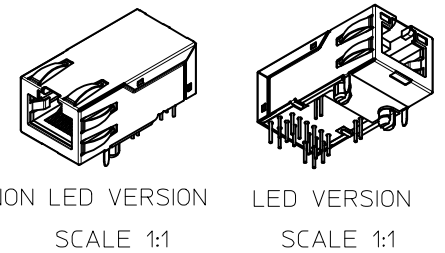
THIS DRAWING CONTAINS INFORMATION THAT IS PROPRIETARY TO MOLEX INCORPORATED AND SHOULD NOT BE USED WITHOUT WRITTEN PERMISSION

| | | | | | | | | | | |
|---|---------------|---|---------------------------------------|----------|-----------------|--------------|--|------------|-----|--------|
| EC DESCRIPTION EC NO: 102890 DRWN: MFURKEL CHK'D: RSILLER APPR: RSILLER | 2015/09/28 | QUALITY SYMBOLS ▽ = 0 ▽ = 0 ▽ = 0 ▼ = 0 ▽ = 0 ☒ = 0 ■ = 0 ▽ = 0 | GENERAL TOLERANCES (UNLESS SPECIFIED) | | DIMENSION UNITS | SCALE | | | | |
| | 2016/02/23 | | ANGULAR TOL ± 0.5 ° | | mm | 5:1 | | | | |
| | 2016/02/23 | | 4 PLACES ± | DRWN BY | DATE | MFURKEL | | 2015/06/15 | | |
| | | | 3 PLACES ± | CHK'D BY | DATE | | | | | |
| | | 2 PLACES ± 0.25 | APPR BY | DATE | RSILLER | 2016/02/23 | PRODUCT CUSTOMER DRAWING SERIES: 85789 MATERIAL NUMBER: SEE BOM/SHEET 3/4 CUSTOMER: | | | |
| | 1 PLACE ± 0.5 | DRAWING SIZE | THIRD ANGLE PROJECTION | A3 | | | | | | |
| | 0 PLACES ± | DRAFT WHERE APPLICABLE MUST REMAIN WITHIN DIMENSIONS | | | | | | | | |
| | | | DOCUMENT NUMBER | DOC TYPE | DOC PART | SHEET NUMBER | 857891001 | PSD | 000 | 4 OF 4 |

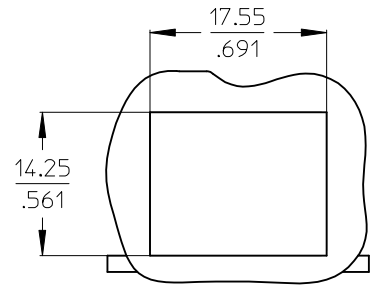
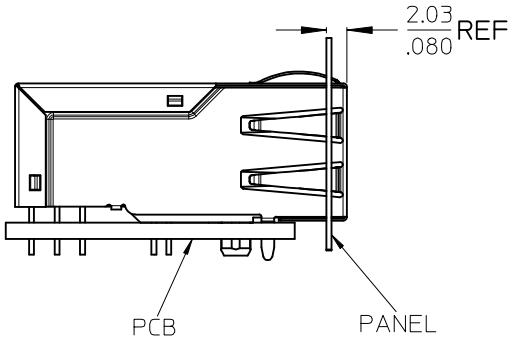
GIGABIT SINGLE PORT MAGNETIC JACK
PoE+ MAGNETICS ACC. TO IEEE802.3at
FOR PSE OR PD APPLICATIONS



- NOTES:
- SHIELD MATERIAL: STAINLESS STEEL
(GROUND PINS ARE SOLDER DIPPED)
 - PLASTIC MATERIAL: PBT, BLACK, UL 94V-0
 - TERMINALS MATERIAL: PHOSPOR BRONZE
RJ45 CONTACTS PLATING: 0.76 MICROMETER GOLD
OVER 1.9 MICROMETER NICKEL ON MATING AREA
SOLDER TERMINALS: 3 MICROMETER TIN
 - MATING INTERFACE ACCORDING TO IEC 60603-7
 - PRODUCT SPECIFICATION: PS-85789-001
 - PACKAGING SPECIFICATION: PK-85759-001
 - STAND OFF TO SYSTEM BOARD
 - RECOMMENDED PCB THICKNESS: 1.6mm / 0.067inch
 - SHIELD AND SHIELD LATCHES: AVOID TO ROUTE TRACES OR TO PLACE ANY VIAS OR PADS IN THIS AREA.
 - INSCRIPTION MARKED BY LASER:
 UL LOGO
 1st : MOLEX
 2st : P/N (SEE BOM)
 3rd : DATE CODE(WEEK/YEAR)
 Z=> MANUFACTURER CODE

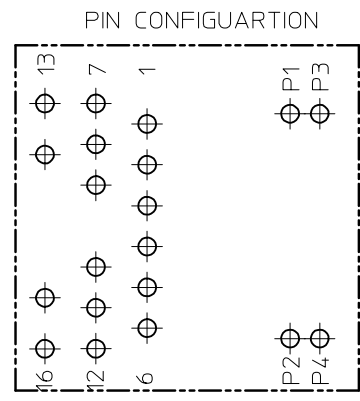
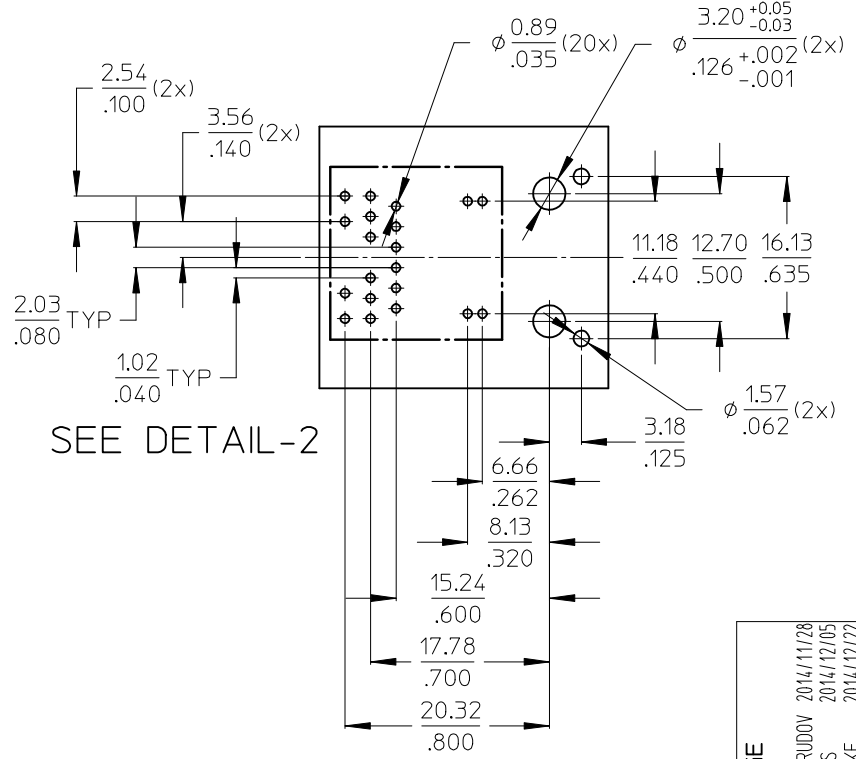


| | | | | | | |
|--|---|---|--|--|--|--|
| NOTES UPDATE IEC NO: DRWN:MMANGARUDOV 2014/11/28 CH'KD:DBYRNES 2014/12/05 APPR:SSSTE INKE 2014/12/22 | QUALITY SYMBOLS ▽=0 ▽=0 | GENERAL TOLERANCES (UNLESS SPECIFIED) mm INCH 4 PLACES ± --- ± --- 3 PLACES ± --- ± .010 2 PLACES ± 0.25 ± .020 1 PLACE ± 0.5 ± --- 0 PLACE ± ± ANGULAR ± .5 ° DRAFT WHERE APPLICABLE MUST REMAIN WITHIN DIMENSIONS | DIMENSION STYLE MM/IN DRAWN BY DATE JBADER 2014/04/25 CHECKED BY DATE MMANGARUDOV 2014/05/05 APPROVED BY DATE SSTE INKE 2014/06/11 MATERIAL NO. SEE SHEET 3 | SCALE 2:1 DESIGN UNITS METRIC THIRD ANGLE PROJECTION | TITLE GIGABIT MAGNETIC JACK POE PLUS ENABLED 1X1 molex DOCUMENT NO. SD-85789-401 SHEET NO. 1 OF 3 | |
| | THIS DRAWING CONTAINS INFORMATION THAT IS PROPRIETARY TO MOLEX INCORPORATED AND SHOULD NOT BE USED WITHOUT WRITTEN PERMISSION | | | | | |
| | | | | | | |
| | | | | | | |



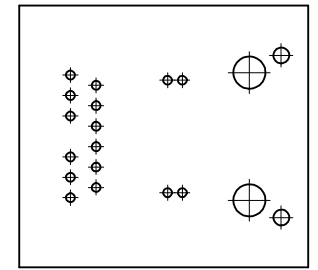
SUGGESTED PANEL CUTOUT

SUGGESTED BOARD LAYOUT - COMPONENT SIDE



DETAIL-2
SCALE 4:1

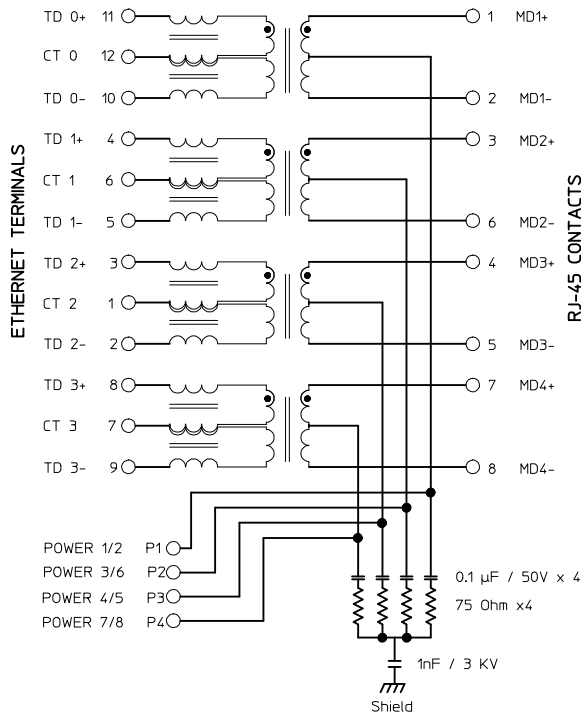
SUGGESTED BOARD LAYOUT
NON LED VERSION



| | | | | | | |
|---|-----------------|---|--|------------------------------|---|------------------------|
| NO CHANGE EC NO: DRW:MMANGARUDOV 2014/11/28 CHKD:DBYRNES 2014/12/05 APPR:SSSTEINKE 2014/12/22 | QUALITY SYMBOLS | GENERAL TOLERANCES (UNLESS SPECIFIED) | DIMENSION STYLE | SCALE | DESIGN UNITS | THIRD ANGLE PROJECTION |
| | ▽=0 ∇=0 | mm INCH | MM/IN | 2:1 | METRIC | |
| | | 4 PLACES ± --- ± --- 3 PLACES ± --- ± .010 2 PLACES ± 0.25 ± .020 1 PLACE ± 0.5 ± --- 0 PLACE ± ± | DRAWN BY DATE JBADER 2014/04/25 CHECKED BY DATE MMANGARUDOV 2014/05/05 APPROVED BY DATE SSTEINKE 2014/06/11 | TITLE | GIGABIT MAGNETIC JACK POE PLUS ENABLED 1X1 | |
| | | ANGULAR ± .5 ° DRAFT WHERE APPLICABLE MUST REMAIN WITHIN DIMENSIONS | MATERIAL NO. SEE SHEET 3 | DOCUMENT NO. SD-85789-401 | SHEET NO. 2 OF 3 | |
| B | REV | SIZE | THIS DRAWING CONTAINS INFORMATION THAT IS PROPRIETARY TO MOLEX INCORPORATED AND SHOULD NOT BE USED WITHOUT WRITTEN PERMISSION | | | |

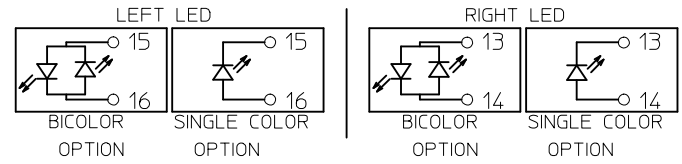
| Electrical Specifications @25°C | | |
|--|--------------------|--------------------------|
| Operating temperature (-40°C to +85°C) | | |
| Description | Value | |
| OCL POE+TRANSF. 20mA bias (-40°C to +85°C) | 350μH min. | |
| OCL NONPOE TRANSF. 8mA bias (-40°C to +85°C) | 350μH min. | |
| Turns Ratio | 1CT:1CT | |
| Insertion Loss | | |
| Frequency (MHz) | Limits (dB max.) | Typical Values (dB max.) |
| 1.0-9.9 MHz | 0.4+0.1*log(F) | 0.5 @ 10MHz |
| 10-49.9 MHz | 0.5+0.3*log(F/10) | 0.7 @ 50MHz |
| 50-79.9 MHz | 1+1.4*log(F/80) | 1.0 @ 80MHz |
| 80-100 MHz | 1.3+3*log(F/100) | 1.3 @ 100MHz |
| Return Loss | | |
| Frequency (MHz) | Limits (dB min.) | TYPICAL Values (dB min.) |
| 1-9.9 MHz | 27dB min. | 27 @ 10MHz |
| 10-100 MHz | 27-17*log(F/10) | 10 @ 100MHz |
| CMR | | |
| Frequency (MHz) | Limits (dB min.) | TYPICAL Values (dB min.) |
| 1-9.9 MHz | 34dB min. | 34 @ 10MHz |
| 10-79.9 MHz | 27dB min. | 27 @ 80MHz |
| 80-199.9 MHz | 27-14.5*log(F/80) | 21.5 @ 200MHz |
| 200-399.9 MHz | 21.5-39*log(F/200) | 10 @ 400MHz |
| 400-1000 MHz | 10 | 10 @ 1000MHz |
| NEXT | | |
| Frequency (MHz) | Limits (dB min.) | TYPICAL Values (dB min.) |
| 1-5.9 MHz | 50 | 50 @ 6MHz |
| 6-49.9 MHz | 45-16*log(F/10) | 34 @ 50MHz |
| 50-100 MHz | 25-30*log(F/100) | 25 @ 100MHz |
| Isolation PHY to Wire side | 2.25kVDC/60sec | |

PHY SIDE / PCB SIDE ETHERNET MAGNETICS WIRE SIDE / RJ45



| PART NUMBER | DIM-A-SHEET 1 | LED1 POLARITY | | | LED2 POLARITY | | |
|-------------|---------------|---------------|-------|--------|---------------|-------|--------|
| | | PIN15 | PIN16 | COLOR | PIN13 | PIN14 | COLOR |
| 85789-4008 | 2.50mm | - | + | GREEN | - | + | GREEN |
| | | + | - | YELLOW | + | - | YELLOW |
| 85789-4020 | 2.50mm | NON LED | | | | | |

ADDITIONAL LED COLORS AND CONFIGURATIONS ARE AVAILABLE ON REQUEST



SEE TABLE FOR LED OPTIONS

| BOM UPDATE EC NO: DRWIN:MANGARUDOV 2014/11/28 CHKD:DBYRNES 2014/12/05 APPR:SSSTEINKE 2014/12/22 | QUALITY SYMBOLS | GENERAL TOLERANCES (UNLESS SPECIFIED) | DIMENSION STYLE | SCALE | DESIGN UNITS | THIRD ANGLE PROJECTION | | | | | | | | | | | | | | | | | | |
|---|--|--|-----------------|---|--------------|------------------------|-------|-------|----------|-------|--------|----------|--------|--------|---------|-------|-------|---------|---|---|-------|-----|--------|--|
| | | <table border="1"> <thead> <tr> <th></th> <th>mm</th> <th>INCH</th> </tr> </thead> <tbody> <tr> <td>4 PLACES</td> <td>± ---</td> <td>± ---</td> </tr> <tr> <td>3 PLACES</td> <td>± ---</td> <td>± .010</td> </tr> <tr> <td>2 PLACES</td> <td>± 0.25</td> <td>± .020</td> </tr> <tr> <td>1 PLACE</td> <td>± 0.5</td> <td>± ---</td> </tr> <tr> <td>0 PLACE</td> <td>±</td> <td>±</td> </tr> </tbody> </table> | | mm | INCH | 4 PLACES | ± --- | ± --- | 3 PLACES | ± --- | ± .010 | 2 PLACES | ± 0.25 | ± .020 | 1 PLACE | ± 0.5 | ± --- | 0 PLACE | ± | ± | MM/IN | 5:1 | METRIC | |
| | | mm | INCH | | | | | | | | | | | | | | | | | | | | | |
| | 4 PLACES | ± --- | ± --- | | | | | | | | | | | | | | | | | | | | | |
| 3 PLACES | ± --- | ± .010 | | | | | | | | | | | | | | | | | | | | | | |
| 2 PLACES | ± 0.25 | ± .020 | | | | | | | | | | | | | | | | | | | | | | |
| 1 PLACE | ± 0.5 | ± --- | | | | | | | | | | | | | | | | | | | | | | |
| 0 PLACE | ± | ± | | | | | | | | | | | | | | | | | | | | | | |
| DESCRIPTION | ANGULAR ± .5 ° | DRAWN BY DATE | TITLE | GIGABIT MAGNETIC JACK POE PLUS ENABLED 1X1 | | | | | | | | | | | | | | | | | | | | |
| REV | DRAFT WHERE APPLICABLE MUST REMAIN WITHIN DIMENSIONS | JBADER 2014/04/25 CHECKED BY DATE MMANGARUDOV 2014/05/05 APPROVED BY DATE SSSTEINKE 2014/06/11 | | | | | | | | | | | | | | | | | | | | | | |
| | | SIZE | MATERIAL NO. | DOCUMENT NO. | SHEET NO. | | | | | | | | | | | | | | | | | | | |
| | | A3 | SEE BOM | SD-85789-401 | 3 OF 3 | | | | | | | | | | | | | | | | | | | |
| | | THIS DRAWING CONTAINS INFORMATION THAT IS PROPRIETARY TO MOLEX INCORPORATED AND SHOULD NOT BE USED WITHOUT WRITTEN PERMISSION | | | | | | | | | | | | | | | | | | | | | | |