

FEATURES AND SPECIFICATIONS

Features and Benefits

- Anti-fishhooking contact design
- 4 points of contact
- Low profile

Reference Information

Packaging: Reel or bag
 Use With: 5102, 5207 and 5209 housings
 Designed In: Millimeters

Electrical

Voltage: 250V
 Current:

AWG	22	24	26	28
Amperes	3.0	2.5	2.0	1.5

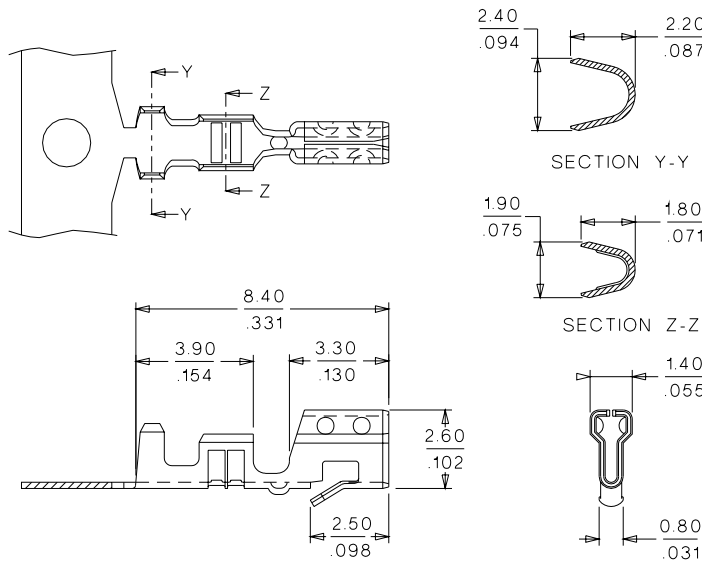
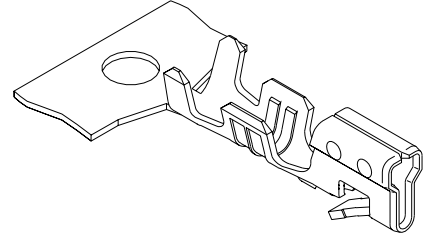
Contact Resistance: 20mΩ max.
 Dielectric Withstanding Voltage: 1000V AC/1 min.
 Insulation Resistance: 1000 MΩ min.

Physical

Contact: See Table
 Plating: See Table
 Temperature: -40 to +105°C
 Wire Range: 22 to 28 AWG
 Strip Length: 2.6 to 3.2mm

molex® 2.50mm (.098") Pitch
SPOX™
Wire-to-Board
Crimp Terminal

5103
Spring Box



ORDERING INFORMATION AND DIMENSIONS

Order No.	Terminal	Wire Gauge AWG	Insulation Diameter	Contact Material
08-70-0056	Reel	22-28	1.90 max.	Tin-Plated Brass
08-70-0057	Bag			
08-70-0058	Reel			Tin-Plated Phosphor Bronze
08-70-0059	Bag			