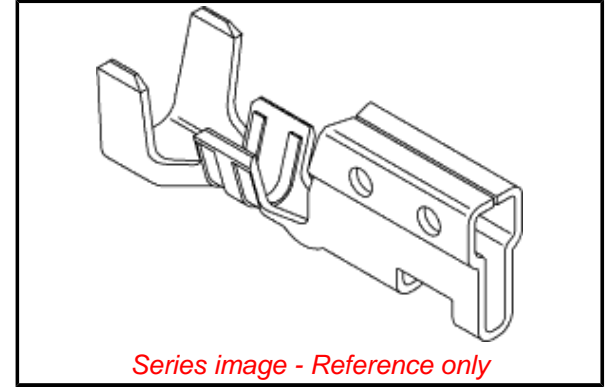
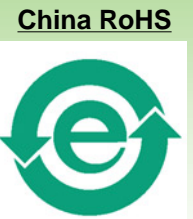


**Part Number:** [0008701030](#)  
**Status:** **Active**  
**Overview:** [SPOX™ BMI](#)  
**Description:** SPOX™ Crimp Terminal 5194, 18-24 AWG, Brass, Bag



**EU RoHS**  
ELV and RoHS  
Compliant



**General**

Product Family	Crimp Terminals
Series	5194
Overview	<a href="#">SPOX™ BMI</a>
Product Name	SPOX™

**Physical**

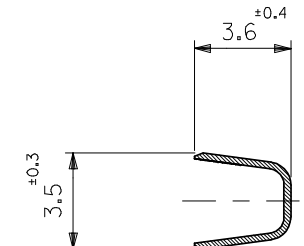
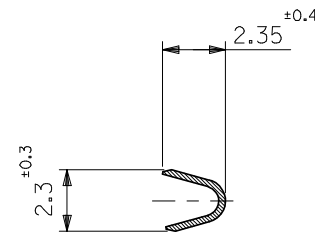
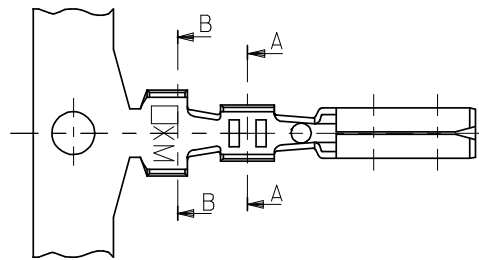
Gender	Female
Material - Metal	Brass
Material - Plating Mating	Tin
Material - Plating Termination	Tin
Packaging Type	Bag
Plating min: Mating (µin)	35
Plating min: Mating (µm)	0.88
Plating min: Termination (µin)	35
Plating min: Termination (µm)	0.88
Termination Interface: Style	Crimp or Compression
Wire Insulation Diameter	1.30-3.20mm (.051-.126")
Wire Size AWG	18
Wire Size AWG	20
Wire Size AWG	22
Wire Size AWG	24
Wire Size mm²	N/A

**Electrical**

CSA	LR19980
-----	---------

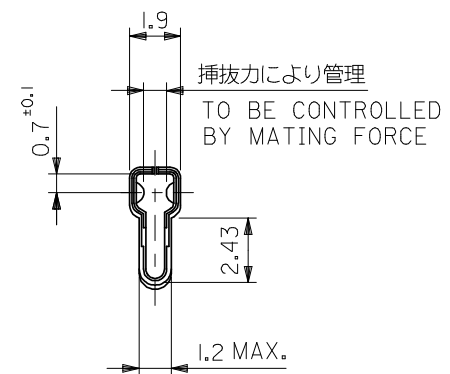
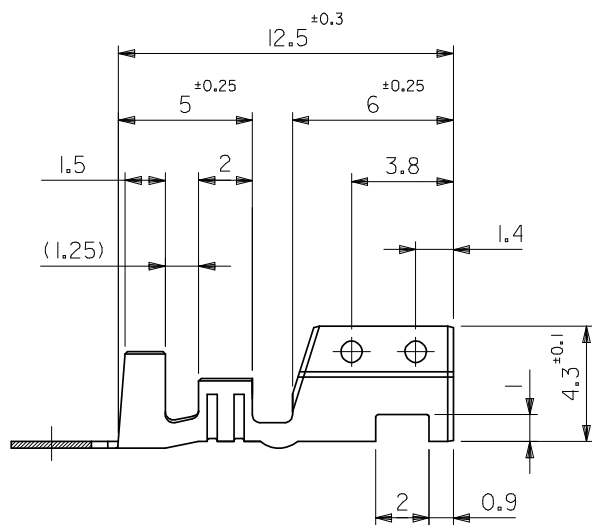
**Material Info**

Old Part Number	5194TL
-----------------	--------



断面 A-A  
SECT.A-A

断面 B-B  
SECT.B-B



注記  
NOTES

1. 適合ハウジング : 5195-N\* , 5196-N\*  
 APPLICABLE HOUSING 5197-N\* , 5198-N\*  
 5199-N\*

錫メッキ済リン青銅 PRE-TINNED PHOSPHOR BRONZE	Sn : 0.9 $\mu$ MIN	39-00-0022	5194PBT	バラ状 LOOSE
		39-00-0021	5194PBT	連鎖状 CHAIN
錫メッキ済黄銅 PRE-TINNED BRASS	Sn : 0.9 $\mu$ MIN, Cu : 0.5 $\mu$ MIN	08-70-1030	5194TL	バラ状 LOOSE
		08-70-1031	5194T	連鎖状 CHAIN
材料 MATERIAL	表面処理 FINISH	EDP NO.	ENG. NO.	端子形状 FORM

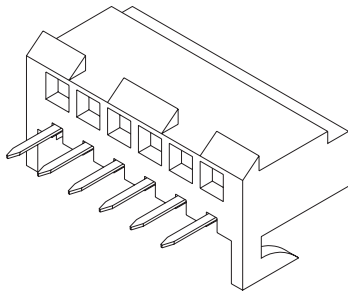
材料 MATERIAL	表参照 SEE TABLE 板厚: 0.254 (t=0.254)
仕上げ FINISH	表参照 SEE TABLE
適用電線範囲 WIRE RANGE	AWG #18-#24
被覆外径 INS. RANGE	$\phi$ 1.3 - $\phi$ 3.2

REVISED EC NO: J2008-3351 DRWN:WABEI 2008/03/24 CHKD:THARUYAMA 2008/03/24 APPR:NUKITA 2008/03/24	GENERAL TOLERANCES (UNLESS SPECIFIED)	10 UNDER $\pm 0.2$	10 OVER 30 UNDER $\pm 0.25$	30 OVER $\pm 0.3$	ANGULAR $\pm 3^\circ$	DRAFT WHERE APPLICABLE MUST REMAIN WITHIN DIMENSIONS
	DIMENSION STYLE MM ONLY					
	DRAWN BY K. HASHIMOTO		DATE '96/05/21		TITLE SPOX CRIMP RECEPTACLE	
	CHECKED BY S. KUNISHI		DATE '98/07/07		APPROVED BY M. FUKUSHIMA	
	DATE 2008/03/24		DATE '98/07/07		DOCUMENT NO. SD-5194-001	

SCALE 5:1	DESIGN UNITS METRIC	THIRD ANGLE PROJECTION
MATERIAL NO. SEE TABLE		
SHEET NO. 1 OF 1		
THIS DRAWING CONTAINS INFORMATION THAT IS PROPRIETARY TO MOLEX INCORPORATED AND SHOULD NOT BE USED WITHOUT WRITTEN PERMISSION		

# 3.96mm (.156") Pitch KK® PC Board Connector

**2145/3215**  
**Bottom Entry**



### Features and Benefits

- Sizes 2 to 15 circuits
- Mating headers must be long enough to accommodate board thickness
- Polarizing key available
- Available without hooks (contact Molex)
- Various tail lengths available

### Reference Information

Packaging: Bag  
 UL File No.: E29179  
 CSA File No.: LR19980  
 Mates With: Molex KK 3.96mm (.156") locking headers or 1.14mm (.045") pins  
 Designed In: Inches

### Electrical

Voltage: 250V AC  
 Current: 5.0A max.\*  
 Contact Resistance: 6 milliohms max.  
 Dielectric Withstanding Voltage: 1500V AC  
 Insulation Resistance: 50K Megohms min.

### Physical

Housing: Nylon, UL 94V-2  
 (see 41815 for polyester, UL 94V-0)  
 Contact: Brass or Phosphor Bronze  
 Plating: See Table  
 Operating Temperature: 0 to +75°C

	Order No.
Polarizing Key	15-04-0297

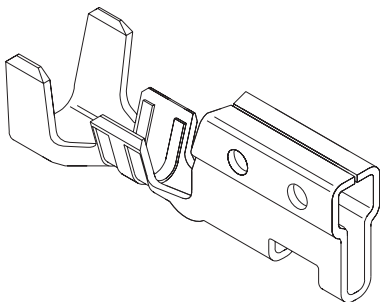
Circuits	Order No.						Center Hook(s) Location
	2145			3215†			
	Tin	Select Gold	Lead-free	Tin	Select Gold	Lead-free	
2	<a href="#">09-62-6024</a>	<a href="#">09-62-3022</a>	Yes				
3	<a href="#">09-62-6034</a>	<a href="#">09-62-3032</a>					
4	<a href="#">09-62-6044</a>	<a href="#">09-62-3042</a>			<a href="#">26-11-6035</a>	<a href="#">26-29-1031</a>	
5	<a href="#">09-62-6054</a>	<a href="#">09-62-3052</a>			<a href="#">26-11-6045</a>	<a href="#">26-29-1041</a>	
6	<a href="#">09-62-6064</a>	<a href="#">09-62-3062</a>			<a href="#">26-11-6055</a>	<a href="#">26-29-1051</a>	
7	<a href="#">09-62-6074</a>	<a href="#">09-62-3072</a>			<a href="#">26-11-6065</a>	<a href="#">26-29-1061</a>	
8	<a href="#">09-62-6084</a>	<a href="#">09-62-3082</a>			<a href="#">26-11-6075</a>	<a href="#">26-29-1071</a>	
9	<a href="#">09-62-6094</a>	<a href="#">09-62-3092</a>			<a href="#">26-11-6085</a>	<a href="#">26-29-1081</a>	(1) between circuits 4-5
10	<a href="#">09-62-6104</a>	<a href="#">09-62-3102</a>			<a href="#">26-11-6095</a>	<a href="#">26-29-1091</a>	(1) between circuits 5-6
11	<a href="#">09-62-6114</a>	<a href="#">09-62-3112</a>			<a href="#">26-11-6105</a>	<a href="#">26-29-1101</a>	
12	<a href="#">09-62-6124</a>	<a href="#">09-62-3122</a>				<a href="#">26-29-1111</a>	
13	<a href="#">09-62-6134</a>	<a href="#">09-62-3132</a>			<a href="#">26-11-6125</a>	<a href="#">26-29-1121</a>	(2) between circuits 4-5 and 8-9
14	<a href="#">09-62-6144</a>	<a href="#">09-62-3142</a>				<a href="#">26-29-1131</a>	
15	<a href="#">09-62-6154</a>	<a href="#">09-62-3152</a>			<a href="#">26-11-6155</a>	<a href="#">26-29-1151</a>	(2) between circuits 5-6 and 10-11

\* Dependent upon PC board

† Preferred version in Europe and the Far East

# 3.96mm (.156") Pitch Macro-SPOX™ Crimp Terminal

**5194/5225**  
**Spring Box**



### Features and Benefits

- Four-point contact
- Anti-fishhooking contact design

### Reference Information

Packaging: Reel or bag  
 Tooling Information: See end of section  
 Use With: 5195-N, 5196-N, 5197-N, 5198-N,  
 5199-N and 43061 housings  
 Designed In: Millimeters

### Electrical

Voltage: 250V  
 Current:  
 5194—7.0A max. (Brass) or 5.0A (Phosphor Bronze)  
 5225—4.0A max.  
 Contact Resistance: 10 milliohms max.  
 Dielectric Withstanding Voltage: 1500V AC/1 min.  
 Insulation Resistance: 1000 Megohms min.

### Physical

Contact: Brass and Phosphor Bronze  
 Plating: Tin  
 Operating Temperature: -40 to +105°C  
 Wire Accommodation: 5194—18 to 24 AWG  
 5225—22 to 28 AWG  
 Strip Length: 3.0 to 3.5mm

Order No.	Contact Material	Terminal	Insulation Diameter	Lead-free
<a href="#">08-70-1031</a>	Tin-Plated Brass	Reel	1.30-3.20mm	Yes
<a href="#">08-70-1030</a>		Bag		
<a href="#">39-00-0021</a>	Tin-Plated Phosphor Bronze	Reel		
<a href="#">39-00-0022</a>		Bag		
<a href="#">08-70-1029</a>	Tin-Plated Brass	Reel	1.20-2.60mm	
<a href="#">08-70-1028</a>		Bag		

Recommended wire range assumes stranded wire

