

PLEASE CHECK WWW.MOLEX.COM FOR LATEST PART INFORMATION

Part Number: [08-70-1039](#)
Status: **Active**
Overview: SPOX™ BMI Connector System
Description: 2.50mm Pitch SPOX™ Wire-to-Board Crimp Terminal, Reel

Documents:

[3D Model](#) [Product Specification PS-5264-001 \(PDF\)](#)
[Drawing \(PDF\)](#) [RoHS Certificate of Compliance \(PDF\)](#)

General

Product Family	Crimp Terminals
Series	5263
Application	Signal
Crimp Quality Equipment	Yes
Overview	SPOX™ BMI Connector System
Packaging Alternative	08-70-1040 (Loose)
Product Name	SPOX™
UPC	800753534902

Physical

Gender	Female
Material - Metal	Phosphor Bronze
Material - Plating Mating	Tin
Material - Plating Termination	Tin
Net Weight	43.200/mg
Packaging Type	Reel
Plating min - Mating	0.889µm
Plating min - Termination	0.914µm
Termination Interface: Style	Crimp or Compression
Wire Insulation Diameter	1.90mm max.
Wire Size AWG	22, 24, 26, 28
Wire Size mm²	N/A

Material Info

Old Part Number 5263PBT

Reference - Drawing Numbers

Crimp Specification	CS-5263
Product Specification	PS-5264-001, RPS-5263-001, RPS-5264-002, RPS-5264-003, RPS-5264-004, RPS-5264-005, RPS-5264-006
Sales Drawing	SD-5263-003

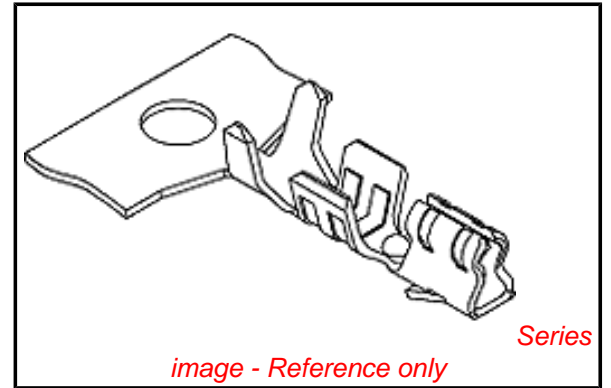


image - Reference only

EU RoHS

**ELV and RoHS
Compliant**
**REACH SVHC
Contains SVHC: No**
**Low-Halogen Status
Low-Halogen**

China RoHS



**Need more information on product
environmental compliance?**

Email productcompliance@molex.com
 For a multiple part number RoHS Certificate of
 Compliance, [click here](#)

Please visit the [Contact Us](#) section for any
 non-product compliance questions.

Search Parts in this Series

5263Series

Use With

5264

Application Tooling | FAQ

*Tooling specifications and manuals are
 found by selecting the products below.
 Crimp Height Specifications are then
 contained in the Application Tooling
 Specification document.*

Global

Description	Product #
Hand Crimp Tool for Crimp Terminals	0638115200
Manual Extraction Tool	0638131400
FineAdjust™ Applicator for 2.50mm Pitch Male Crimp Terminal	0639023100
T2 Terminator for 2.50mm Pitch Male Crimp Terminal	0639123100

Japan

Description

Product #

Applicator for M211A 0011260117

Bench Press, 22-28

AWG Wire

This document was generated on 10/21/2013

PLEASE CHECK WWW.MOLEX.COM FOR LATEST PART INFORMATION