

## FEATURES AND SPECIFICATIONS

### Features and Benefits

- Very low profile
- Anti-fishhooking design
- Box protects pin contact area from contamination during handling

### Reference Information

Packaging: Bag or reel  
 Tooling Information: See end of section  
 Use With: [5264](#) housings  
 Designed In: Millimeters

### Electrical

Voltage: 250V  
 Current:

AWG	22	24	26	28
Amperes	3.0	2.5	2.0	1.5

Contact Resistance: 20mΩ max.  
 Dielectric Withstanding Voltage: 1000V AC/1 min.  
 Insulation Resistance: 1000 MΩ min.

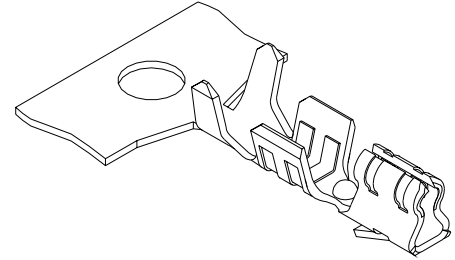
### Physical

Contact: Phosphor Bronze  
 Plating: Tin  
 Operating Temperature: -40 to +105°C

**molex**® 2.50mm (.098") Pitch  
**SPOX™**

**Wire-to-Board  
 Crimp Terminal**

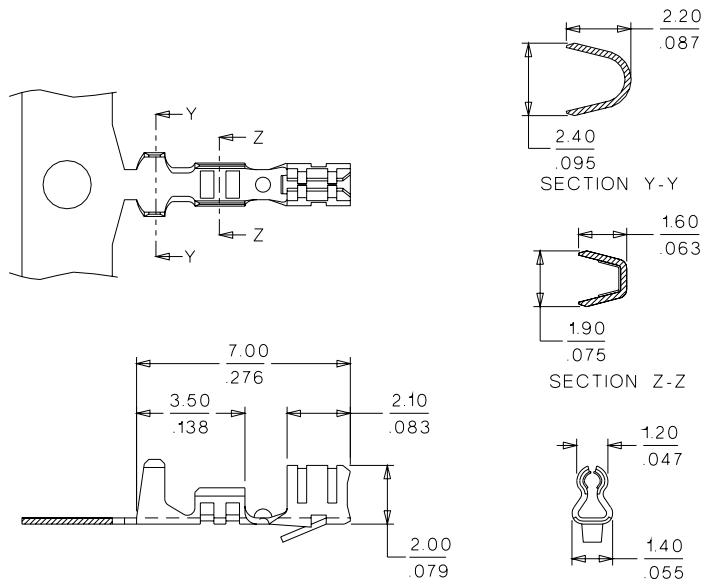
**5263  
 Spring Box**



**B**

2.00 to 2.50mm (.079 to .098") Pitch

## CATALOG DRAWING (FOR REFERENCE ONLY)



## ORDERING INFORMATION AND DIMENSIONS

Order No.	Terminal	Engineering No.	Wire Range AWG	Insulation Diameter
08-70-1039	Reel	5263PBT	22-28	1.90 (.075) max.
08-70-1040	Bag	5263PBTL		