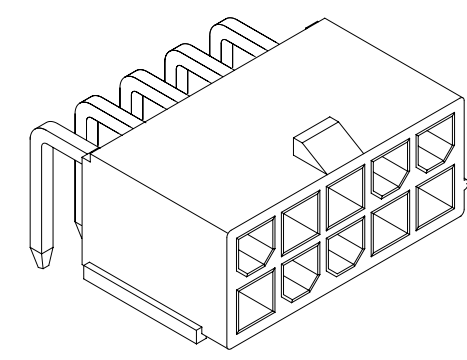
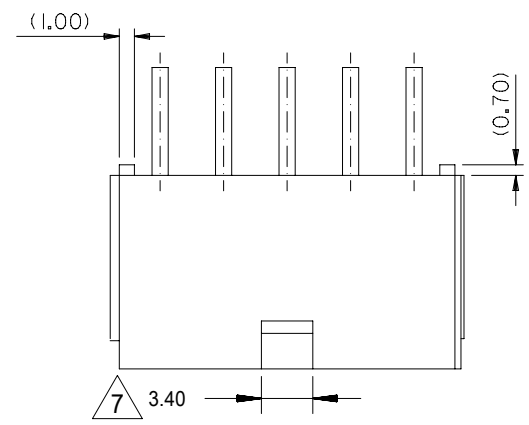


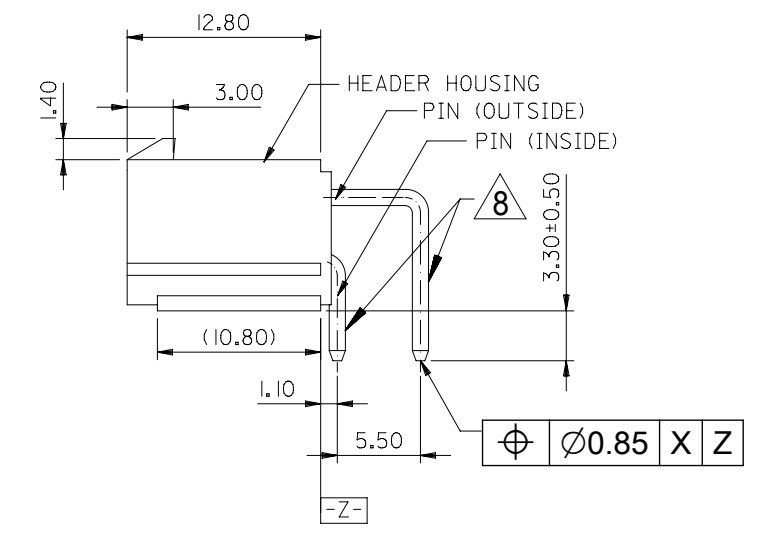
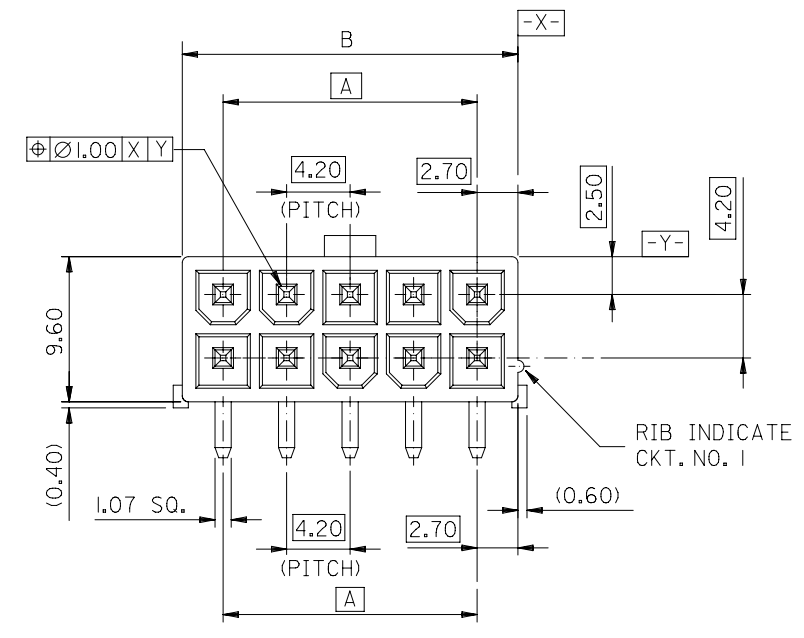
51.60±0.55	46.20	24
47.40±0.55	42.00	22
43.20±0.50	37.80	20
39.00±0.45	33.60	18
34.80±0.35	29.40	16
30.60±0.30	25.20	14
26.40±0.30	21.00	12
22.20±0.30	16.80	10
18.00±0.30	12.60	8
13.80±0.25	8.40	6
9.60±0.25	4.20	4
5.40±0.20	--	2
B	A	CKT. SIZE



ISOMETRIC VIEW

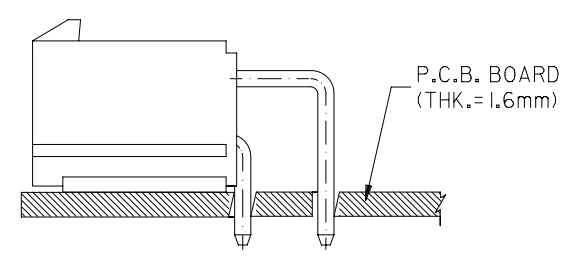
LEGEND

- 87427-****
- CKT. SIZE (SEE SHEET 2).
- PLATING OPTIONS
 2 = NOTE/2.2
 4 = NOTE/2.2
- PACKAGING & COLOR OPTIONS 4
 0 = TRAY PACKED - COLOR BEIGE
 2 = TUBE PACKED - COLOR BEIGE
 3 = TAPE & REEL PACKED - COLOR BEIGE
 7 = TRAY PACKED - COLOR BLACK

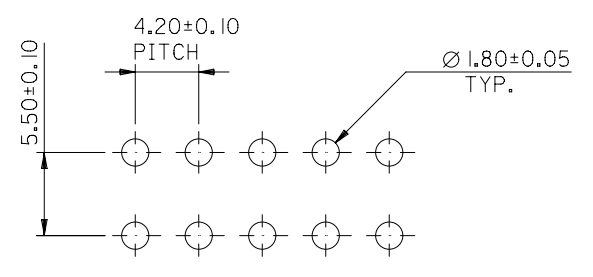


NOTES

- MATERIALS:
 - HEADER: NYLON 46, UL94V-0, COLOR SEE LEGEND.
 - PIN: BRASS
- FINISH- PLATING OF PIN:
 2.2 MATTE TIN .00254 MIN. OVER NICKEL .00127 MIN.
- PRODUCT SPECIFICATION: PS-87427-0001.
- PACKAGING SPECIFICATION:
 TRAY PACK PER PK-87427-001.
 TAPE & REEL PACK PER PK-87427-009.
- MATES WITH: MINI-FIT JR. RECEPTACLE SERIES 5557.
- THESE PARTS CONFORM TO CLASS "B" REQUIREMENTS OF COSMETIC SPECIFICATION PS-45499-002.
- THIS DIMENSION IS 4.2 ON 2 CKT PARTS.
- FORMING MARKS ARE ACCEPTABLE
- DISCOLORATION IN THE BANDOLIER CARRIER AREA OF THE PIN IS INHERENT TO THE PLATING PROCESS AND IS DUE TO THE MASKING EFFECT OF THE CARRIER. THIS DISCOLORATION IS IN A NON-FUNCTIONAL AREA OF THE PIN AND WILL NOT AFFECT THE PERFORMANCE OF THE HEADER ASSEMBLY.
- PARTS ARE NOT DESIGNED FOR CURRENT SHARING.
- CONNECTORS ARE NOT TO BE MATED AND UNMATED WHILE CIRCUITS ARE LIVE.



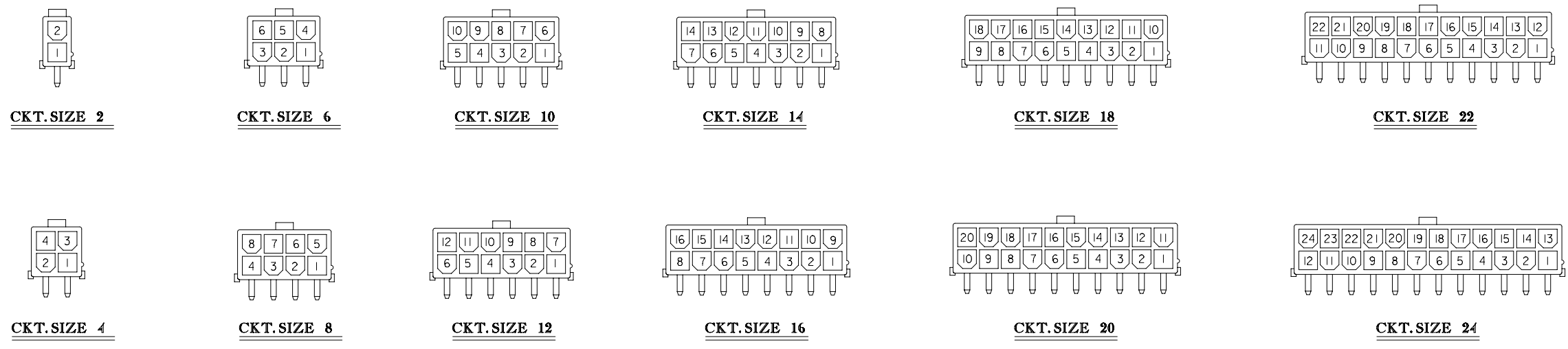
RECOMMENDED INSTALLATION PATTERN



RECOMMENDED P.C.B. LAYOUT

THIS DRAWING CONTAINS INFORMATION THAT IS PROPRIETARY TO MOLEX ELECTRONIC TECHNOLOGIES, LLC AND SHOULD NOT BE USED WITHOUT WRITTEN PERMISSION									
SYMBOLS		DIMENSION UNITS		SCALE		CURRENT REV DESC: OBSOLETE TUBE PACK			
▽ = 0		MM ONLY		2:1		molex 4.2MM W-T-B, RIGHT ANGLE HEADER WITHOUT MOUNTING FLANGES PRODUCT CUSTOMER DRAWING DOCUMENT NUMBER: 874270000-SD DOC TYPE: PSD DOC PART: 000 REVISION: A MATERIAL NUMBER: SEE CHART CUSTOMER: GENERAL MARKET SHEET NUMBER: 1 OF 2			
▽ = 0		GENERAL TOLERANCES (UNLESS SPECIFIED)							
▽ = 0		MM		INCH					
S = 0		4 PLACES ±		±					
▽ = 0		3 PLACES ±		±					
▽ = 0		2 PLACES ±		0.2 ±		EC NO: 167346 DRWN: AZAHIROVIC 2018/02/09 CHK'D: JBELL 2018/02/16 APPR: FSMITH 2018/02/20			
▽ = 0		1 PLACE ±		0.2 ±		INITIAL REVISION:			
X = 0		0 PLACES ±		±		DRWN: STEVEN 1995/02/27 APPR: FSMITH 2010/04/09			
■ = 0		ANGULAR TOL ± 3.0 °				THIRD ANGLE PROJECTION		DRAWING SERIES	
▽ = 0		DRAFT WHERE APPLICABLE MUST REMAIN WITHIN DIMENSIONS				C-SIZE		87427	

H
G
F
E
D
C
B
A



= CONSULT FACTORY FOR AVAILABILITY

PLATING	△2.2 MATTE TIN OVER NICKEL			CKT. SIZE
COLOR	BEIGE	BLACK	BEIGE	
PACKAGING	T&R PACKED	TRAY PACKED	TRAY PACKED	
		# 87427-2472	87427-2402	24
		# 87427-2272	87427-2202	22
	87427-2034	# 87427-2072	87427-2002	20
		# 87427-1872	87427-1802	18
		# 87427-1672	87427-1602	16
	87427-1434	# 87427-1472	87427-1402	14
		# 87427-1272	87427-1202	12
	87427-1034	# 87427-1072	87427-1002	10
	87427-0834	# 87427-0872	87427-0802	8
	87427-0634	# 87427-0672	87427-0602	6
	87427-0434	# 87427-0472	87427-0402	4
	87427-0234	# 87427-0272	87427-0202	2

SYMBOLS △ = 0 ▽ = 0 ▽ = 0 S = 0 ▽ = 0 ▽ = 0 ⊠ = 0 ■ = 0 ▽ = 0	THIS DRAWING CONTAINS INFORMATION THAT IS PROPRIETARY TO MOLEX ELECTRONIC TECHNOLOGIES, LLC AND SHOULD NOT BE USED WITHOUT WRITTEN PERMISSION		CURRENT REV DESC: OBSOLETE TUBE PACK			
	DIMENSION UNITS MM ONLY	SCALE 1:1	EC NO: 167346 DRWN: AZAHIROVIC 2018/02/09 CHK'D: JBELL 2018/02/16 APPR: FSMITH 2018/02/20			PRODUCT CUSTOMER DRAWING
	GENERAL TOLERANCES (UNLESS SPECIFIED)		INITIAL REVISION: DRWN: STEVEN 1995/02/27 APPR: FSMITH 2010/04/09			DOCUMENT NUMBER 874270000-SD
	4 PLACES ± ± 3 PLACES ± ± 2 PLACES ± 0.2 ± 1 PLACE ± 0.2 ± 0 PLACES ± ± ANGULAR TOL ± 3.0 °	DRAFT WHERE APPLICABLE MUST REMAIN WITHIN DIMENSIONS		THIRD ANGLE PROJECTION 		DRAWING SERIES C-SIZE 87427