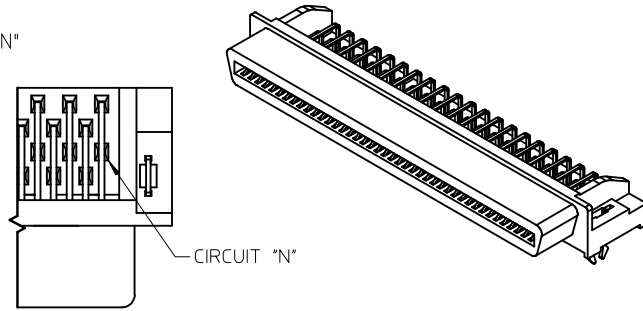
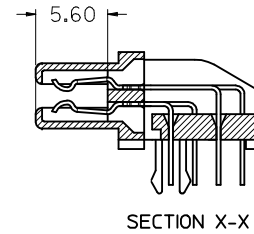
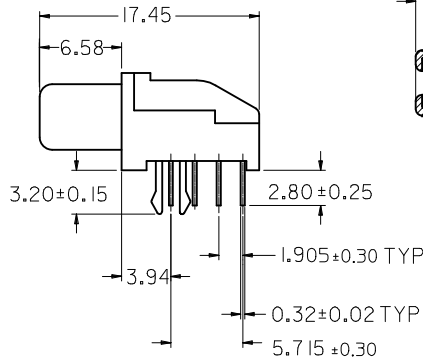
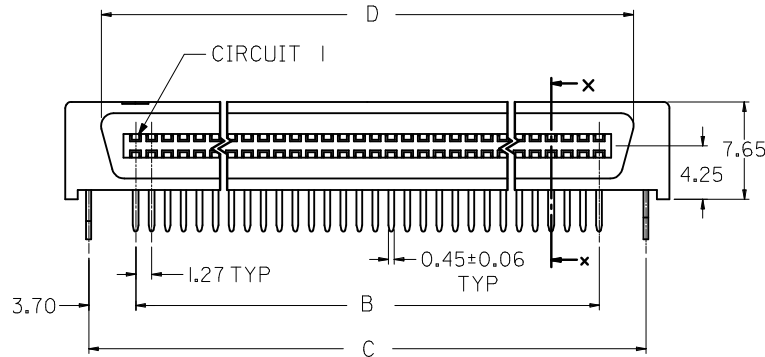


FOR CIRCUIT SIZES 68 AND 80 ONLY



FOR CIRCUIT SIZE 50 ONLY

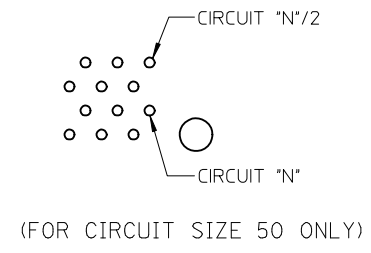
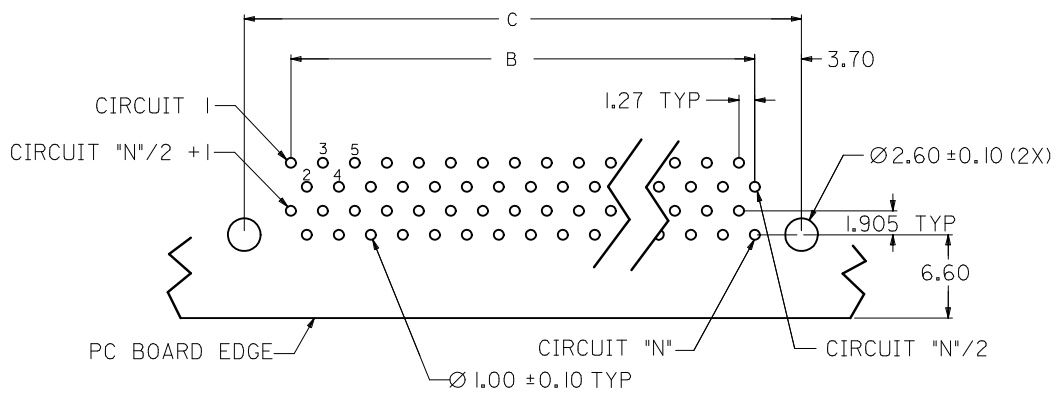


NOTES:

1. MATERIAL: HOUSING -- HIGH TEMP. THERMOPLASTIC, UL94-V0
TERMINALS -- COPPER ALLOY
2. PLATING:
 - 2A 0.75µm MIN. GOLD IN SELECTIVE CONTACT AREA AND
2.5µm MIN. TIN IN SOLDER TAIL AREA, BOTH
OVER 1.27µm MIN. NICKEL.
3. ASSEMBLY MATES WITH MOLEX P/N 71661-****.
4. RECOMMENDED P.C. BOARD THICKNESS IS 1.60MM.
5. PRODUCT SPEC. NO. : PS-87552-006
6. SEE TABLE ON SHEET 2 FOR ASSEMBLY PART NUMBERS.

REVISED EC NO: S2008-0347 DRWN:SKANG CHKD:ATSEE APPR:MLONG 2007/11/12 2007/11/12 2007/11/14	DESCRIPTION H3	QUALITY SYMBOLS	GENERAL TOLERANCES (UNLESS SPECIFIED)	DIMENSION STYLE	SCALE	DESIGN UNITS	THIRD ANGLE PROJECTION	
		▽=0 □=0	mm INCH 4 PLACES ± --- ± --- 3 PLACES ± --- ± --- 2 PLACES ± 0.3 ± --- 1 PLACE ± --- ± --- ANGULAR ± 3 °	MM ONLY	NTS	METRIC		
				DRAWN BY: DSOH DATE: 1997/04/01	TITLE: EBB1, 1.27MM PITCH RECEPTACLE, R/A			
				CHECKED BY: KCL ING DATE: 1997/05/06				
				APPROVED BY: SKTOH DATE: 1997/05/08	MOLEX INCORPORATED DOCUMENT NO. SD-87552-007		SHEET NO. 1 OF 2	
			DRAFT WHERE APPLICABLE MUST REMAIN WITHIN DIMENSIONS	SIZE: A3	THIS DRAWING CONTAINS INFORMATION THAT IS PROPRIETARY TO MOLEX INCORPORATED AND SHOULD NOT BE USED WITHOUT WRITTEN PERMISSION			

	10	9	8	7	6	5	4	3	2	1
	D	C	B	A	CKT SIZE	ASSEMBLY PART NUMBER				
F	36.02	37.88	30.48	41.70	50	87552-0507				
	47.45	49.31	41.91	53.13	68	87552-0687				
	55.07	56.93	49.53	60.75	80	87552-0807				



RECOMMENDED PC BOARD LAYOUT COMPONENT SIDE (FOR CIRCUIT SIZES 68 AND 80 ONLY)

REVISED EC NO: S2008-0347 DRWN:SKANG 2007/11/12 CHKD:ATSEE 2007/11/12 APPR:MLONG 2007/11/14 H3	QUALITY SYMBOLS ▽=0 ◻=0	GENERAL TOLERANCES (UNLESS SPECIFIED) <table border="1"> <tr> <td></td> <td>mm</td> <td>INCH</td> </tr> <tr> <td>4 PLACES</td> <td>± ---</td> <td>± ---</td> </tr> <tr> <td>3 PLACES</td> <td>± ---</td> <td>± ---</td> </tr> <tr> <td>2 PLACES</td> <td>± 0.3</td> <td>± ---</td> </tr> <tr> <td>1 PLACE</td> <td>± ---</td> <td>± ---</td> </tr> </table>		mm	INCH	4 PLACES	± ---	± ---	3 PLACES	± ---	± ---	2 PLACES	± 0.3	± ---	1 PLACE	± ---	± ---	DIMENSION STYLE MM ONLY	SCALE NTS	DESIGN UNITS METRIC	THIRD ANGLE PROJECTION
		mm	INCH																		
	4 PLACES	± ---	± ---																		
	3 PLACES	± ---	± ---																		
2 PLACES	± 0.3	± ---																			
1 PLACE	± ---	± ---																			
DESCRIPTION SKT0H	ANGULAR ± 3 °	DRAFT WHERE APPLICABLE MUST REMAIN WITHIN DIMENSIONS	DRAWN BY DSOH	DATE 1997/04/01	TITLE EBBI, 1.27MM PITCH RECEPTACLE, R/A																
			CHECKED BY KCLING	DATE 1997/05/06	MOLEX INCORPORATED																
			APPROVED BY SKT0H	DATE 1997/05/08	MATERIAL NO. SEE TABLE	DOCUMENT NO. SD-87552-007															