

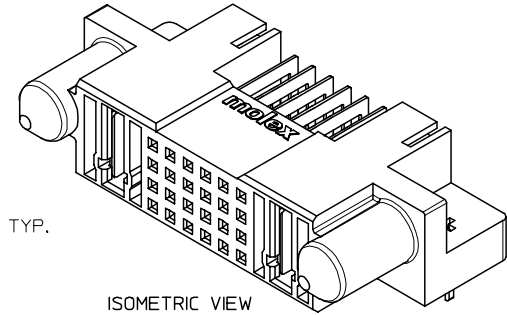
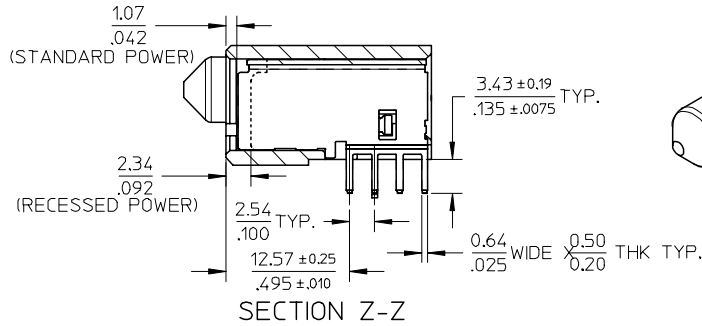
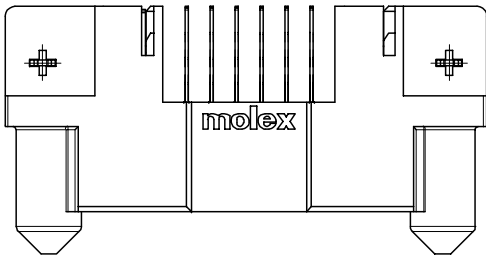
10 9 8 7 6 5 4 3 2 1

F

F

E

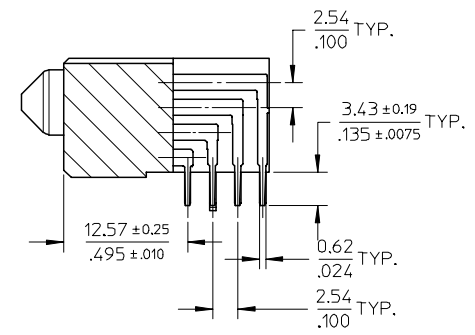
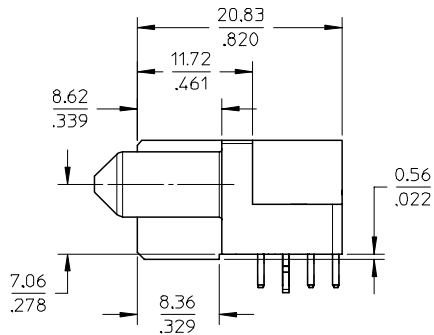
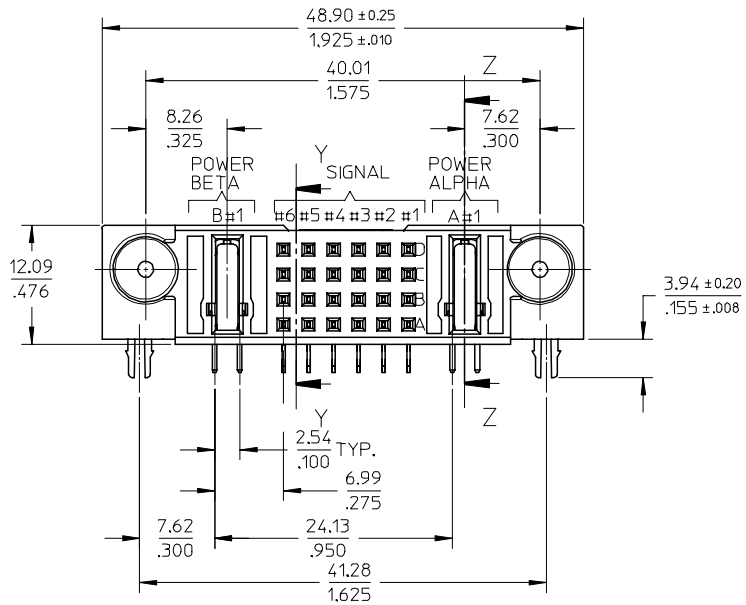
E



ISOMETRIC VIEW

D

D



SECTION Y-Y

B

B

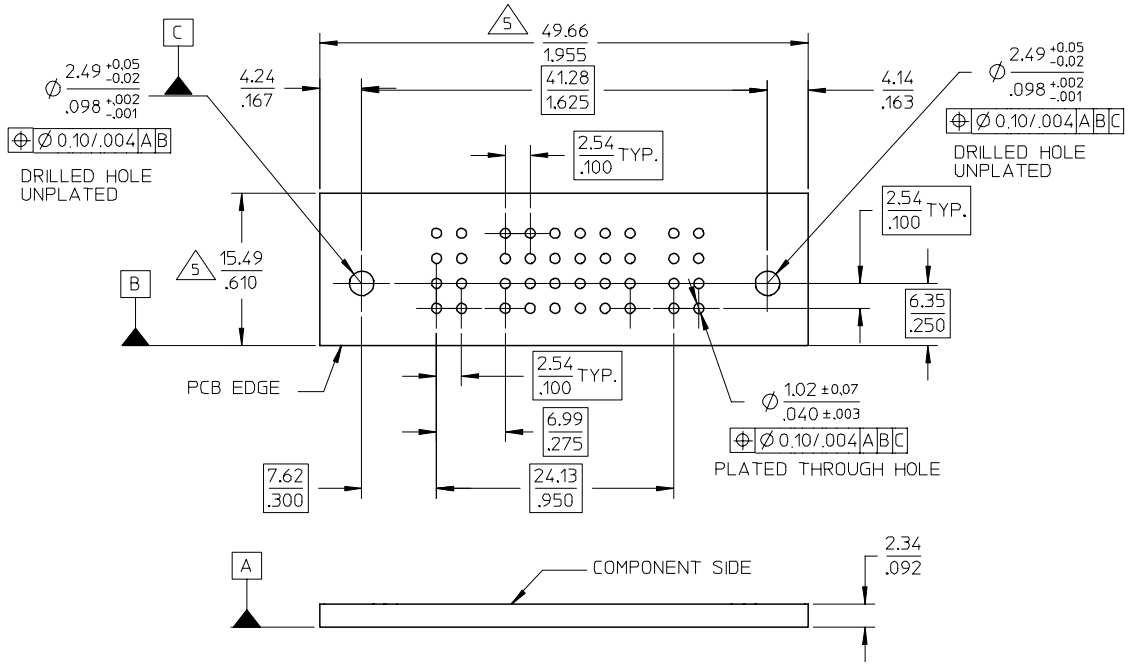
A

A

OBS TIN/LEAD P/N EC NO: S2006-0994 DRWN:MLONG CHKD:CGOH APPR:PTLIM	REV DESCRIPTION	QUALITY SYMBOLS	GENERAL TOLERANCES (UNLESS SPECIFIED)	DIMENSION STYLE	SCALE	DESIGN UNITS	THIRD ANGLE PROJECTION															
		$\nabla = 0$ $\sphericalangle = 0$	<table border="1"> <thead> <tr> <th></th> <th>MM</th> <th>INCH</th> </tr> </thead> <tbody> <tr> <td>4 PLACES</td> <td>± ---</td> <td>± ---</td> </tr> <tr> <td>3 PLACES</td> <td>± ---</td> <td>± .005</td> </tr> <tr> <td>2 PLACES</td> <td>± 0.13</td> <td>± .010</td> </tr> <tr> <td>1 PLACE</td> <td>± 0.25</td> <td>± ---</td> </tr> </tbody> </table>		MM	INCH	4 PLACES	± ---	± ---	3 PLACES	± ---	± .005	2 PLACES	± 0.13	± .010	1 PLACE	± 0.25	± ---	MM/IN	NTS	METRIC	
			MM	INCH																		
		4 PLACES	± ---	± ---																		
3 PLACES	± ---	± .005																				
2 PLACES	± 0.13	± .010																				
1 PLACE	± 0.25	± ---																				
<table border="1"> <thead> <tr> <th>DRAWN BY</th> <th>DATE</th> <th>TITLE</th> </tr> </thead> <tbody> <tr> <td>KMG0H</td> <td>2002/12/03</td> <td rowspan="4">ASSEMBLY, DPS PWR CONN. P-S-P CONFIG., RECEPT. R/A, T/H, BOARD-LOCK</td> </tr> <tr> <td>CHECKED BY</td> <td>DATE</td> </tr> <tr> <td>PTLIM</td> <td>2002/12/05</td> </tr> <tr> <td>APPROVED BY</td> <td>DATE</td> </tr> </tbody> </table>	DRAWN BY	DATE	TITLE	KMG0H	2002/12/03	ASSEMBLY, DPS PWR CONN. P-S-P CONFIG., RECEPT. R/A, T/H, BOARD-LOCK	CHECKED BY	DATE	PTLIM	2002/12/05	APPROVED BY	DATE	<table border="1"> <thead> <tr> <th>MATERIAL NO.</th> <th>DOCUMENT NO.</th> <th>SHEET NO.</th> </tr> </thead> <tbody> <tr> <td>SKT0H</td> <td>2002/12/05</td> <td>1 OF 2</td> </tr> </tbody> </table>	MATERIAL NO.	DOCUMENT NO.	SHEET NO.	SKT0H	2002/12/05	1 OF 2			
DRAWN BY	DATE	TITLE																				
KMG0H	2002/12/03	ASSEMBLY, DPS PWR CONN. P-S-P CONFIG., RECEPT. R/A, T/H, BOARD-LOCK																				
CHECKED BY	DATE																					
PTLIM	2002/12/05																					
APPROVED BY	DATE																					
MATERIAL NO.	DOCUMENT NO.	SHEET NO.																				
SKT0H	2002/12/05	1 OF 2																				
<table border="1"> <thead> <tr> <th>SIZE</th> <th>THIS DRAWING CONTAINS INFORMATION THAT IS PROPRIETARY TO MOLEX INCORPORATED AND SHOULD NOT BE USED WITHOUT WRITTEN PERMISSION</th> </tr> </thead> <tbody> <tr> <td>A3</td> <td></td> </tr> </tbody> </table>	SIZE	THIS DRAWING CONTAINS INFORMATION THAT IS PROPRIETARY TO MOLEX INCORPORATED AND SHOULD NOT BE USED WITHOUT WRITTEN PERMISSION	A3		SEE TABLE	SD-87607-014																
SIZE	THIS DRAWING CONTAINS INFORMATION THAT IS PROPRIETARY TO MOLEX INCORPORATED AND SHOULD NOT BE USED WITHOUT WRITTEN PERMISSION																					
A3																						

9 8 7 6 5 4 3 2 1

10	9	8	7	6	5	4	3	2	1
PART NUMBER	STANDARD POWER BLADE LOCATION	RECESS POWER BLADE LOCATION	PART STATUS	PACKAGING					
87607-1001	A#1,B#1	NIL	TOOLED	TRAY					
87607-1021	A#1	B#1							



NOTES:

- MATERIALS : HOUSING - LCP, GLASS FILLED, UL94V-0, COLOR: BLACK  
 POWER PINS - COPPER ALLOY  
 SIGNAL PINS - COPPER ALLOY  
 BOARD LOCK - COPPER ALLOY
- FINISHES: POWER AD SIGNAL PINS  
 SELECTIVE GOLD IN THE CONTACT AREA  
 THICKNESS = 0.76 MICROMETER / 30 MICROINCH MINIMUM  
 SELECTIVE TIN ALLOY IN THE PC TAIL AREA  
 THICKNESS = 2.54 MICROMETER / 100 MICROINCH MINIMUM  
 1.27um MINIMUM NICKEL OVERALL UNDERPLATE.
- PRODUCT SPECIFICATIONS : PS-87606-002
- SEE SHEET 2 FOR RECOMMENDED PCB LAYOUT AND THICKNESS
- COMPONENT STAY AWAY ZONE FROM CONNECTOR

OBS TIN/LEAD P/N EC NO: S2006-0994 2006/04/05 DRWN:MLONG 2006/04/05 CHKD:CGOH 2006/04/05 APPR:PTL IM	QUALITY SYMBOLS ▽=0 ▽=0	GENERAL TOLERANCES (UNLESS SPECIFIED)		DIMENSION STYLE		SCALE	DESIGN UNITS	THIRD ANGLE PROJECTION		
				MM/IN		NTS	METRIC			
				DRAWN BY DATE		TITLE		ASSEMBLY, DPS PWR CONN. P-S-P CONFIG., RECEPT. R/A, T/H, BOARD-LOCK		
				KMG0H 2002/12/03						
		CHECKED BY DATE		APPROVED BY DATE		MATERIAL NO.		DOCUMENT NO.	SHEET NO.	
		PTL IM 2002/12/05		SKT0H 2002/12/05		SD-87607-014		2 OF 2		
		1 PLACE ±0.25 ±---		ANGULAR ± 3 °		MOLEX INCORPORATED				
		4 PLACES ± --- ± ---				SEE TABLE				
		3 PLACES ± --- ±.005				THIS DRAWING CONTAINS INFORMATION THAT IS PROPRIETARY TO MOLEX INCORPORATED AND SHOULD NOT BE USED WITHOUT WRITTEN PERMISSION				
		2 PLACES ±0.13 ±.010								
		1 PLACE ±0.25 ±---								
		ANGULAR ± 3 °								
		DRAFT WHERE APPLICABLE MUST REMAIN WITHIN DIMENSIONS								