

**PLEASE CHECK WWW.MOLEX.COM FOR LATEST PART INFORMATION**

**Part Number:** [87609-0071](#)

**Status:** **Active**

**Description:** 1.27mm Pitch DIMM 8-Byte Socket, Right Angle, Multi-Key, 168 Circuits, with Beveled Metal Pins and Plastic Pegs, with Beige Latches, 3.56mm Tail Length, 0.38µm Gold (Au) Plating, Right Function Key, Lead-Free

**Documents:**

[3D Model](#)

[Drawing \(PDF\)](#)

[Product Specification PS-87609-002 \(PDF\)](#)

[RoHS Certificate of Compliance \(PDF\)](#)

**General**

Product Family	Memory Module Sockets
Series	<a href="#">87609</a>
Comments	<LI>Latches in Beige Color
Component Type	Memory Module
JEDEC Outline	MO-161
Product Name	DIMM
UPC	822348566297

**Physical**

Circuits (Loaded)	168
Color - Resin	Black, Natural
Durability (mating cycles max)	25
Entry Angle	90° Angle (Side Entry)
Function Key	Right
Keying to Mating Part	Yes
Material - Metal	Brass, High Performance Alloy (HPA)
Material - Plating Mating	Gold
Material - Plating Termination	Tin
Material - Resin	High Temperature Thermoplastic
Net Weight	17.372/g
PC Tail Length	3.56mm
PCB Locator	Yes
PCB Retention	Yes
PCB Thickness - Recommended	2.80mm
Packaging Type	Tray
Pitch - Mating Interface	1.27mm
Plating min - Mating	0.381µm
Plating min - Termination	2.540µm
Temperature Range - Operating	-10°C to +85°C
Termination Interface: Style	Through Hole

**Electrical**

Current - Maximum per Contact	1A
Voltage - Maximum	125V
Voltage Key	3.3V, Center

**Solder Process Data**

Duration at Max. Process Temperature (seconds)	30
Lead-free Process Capability	SMC & Wave Capable (TH only)
Max. Cycles at Max. Process Temperature	1
Process Temperature max. C	240

**Material Info**

**Reference - Drawing Numbers**

Product Specification	PS-87609-002
-----------------------	--------------

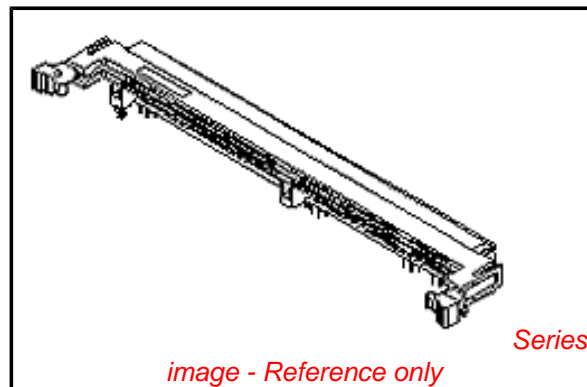


image - Reference only

**EU RoHS**

**ELV and RoHS  
Compliant**

**REACH SVHC**

Not Reviewed

**Low-Halogen Status**

**Not Low-Halogen**

**China RoHS**



**Need more information on product  
environmental compliance?**

Email [productcompliance@molex.com](mailto:productcompliance@molex.com)  
For a multiple part number RoHS Certificate of  
Compliance, [click here](#)

Please visit the [Contact Us](#) section for any  
non-product compliance questions.

**Search Parts in this Series**

[87609Series](#)

**Mates With**

[JEDEC MO-161 Modules](#)

This document was generated on 01/21/2013

**PLEASE CHECK [WWW.MOLEX.COM](http://WWW.MOLEX.COM) FOR LATEST PART INFORMATION**