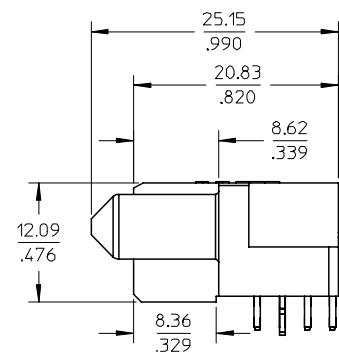
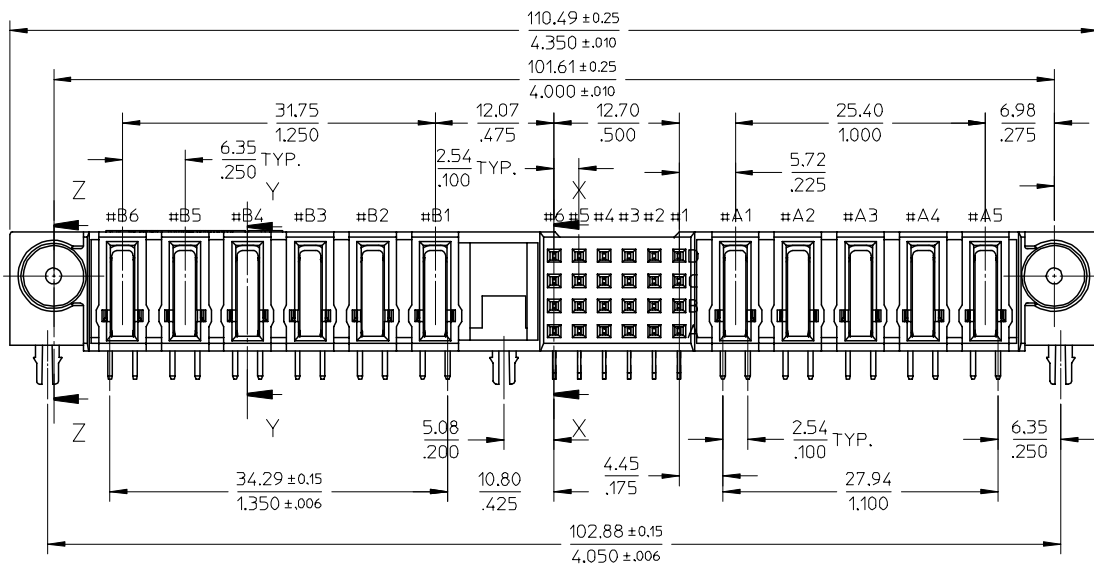
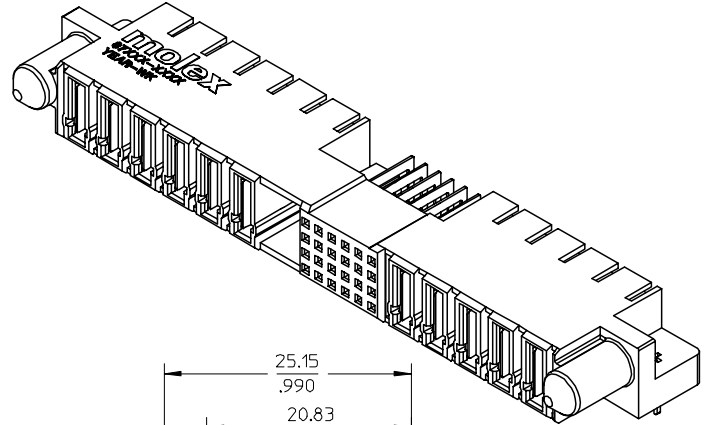
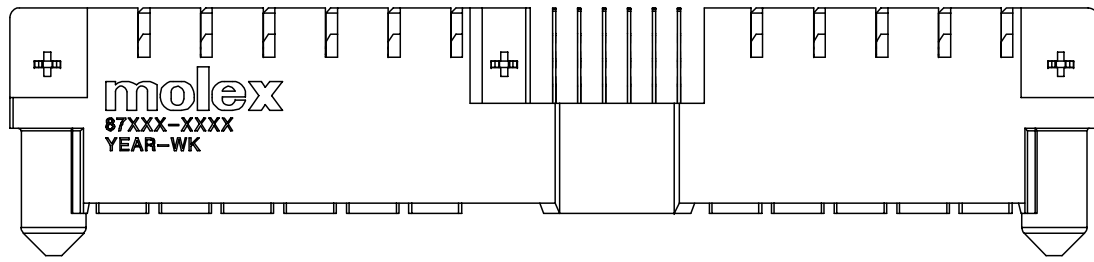


10 9 8 7 6 5 4 3 2 1

F
E
D
C
B
A



F
E
D
C
B
A

OBS TIN/LEAD P/N EC NO: S2006-0994 DRWN:MLONG CHKD:CGOH APPR:PTLIM	2006/04/05 2006/04/05 2006/04/05 2006/04/05	QUALITY SYMBOLS ▽=0 ▽=0	GENERAL TOLERANCES (UNLESS SPECIFIED)		DIMENSION STYLE	SCALE	DESIGN UNITS	THIRD ANGLE PROJECTION				
					MM/IN	NTS	METRIC					
					mm	INCH						
					ANGULAR ± 3 °							
D	REV	DESCRIPTION	DRAFT WHERE APPLICABLE MUST REMAIN WITHIN DIMENSIONS		DRAWN BY	DATE	TITLE					
					KMGOH	2002/08/01	MPS POWER RECEPTACLE 6POWER-24SIGNAL-5POWER R/A, T/H					
				APPROVED BY	DATE	MOLEX INCORPORATED						
				PTLIM	2002/11/21							
				SKTOH	2002/11/21							
				MATERIAL NO.	DOCUMENT NO.	SHEET NO.						
				SEE TABLE	SD-87616-011	1 OF 3						
				THIS DRAWING CONTAINS INFORMATION THAT IS PROPRIETARY TO MOLEX INCORPORATED AND SHOULD NOT BE USED WITHOUT WRITTEN PERMISSION								

9 8 7 6 5 4 3 2 1

10 9 8 7 6 5 4 3 2 1

F

E

D

C

B

A

F

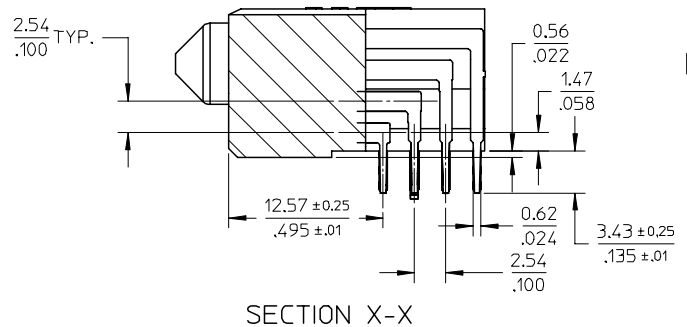
E

D

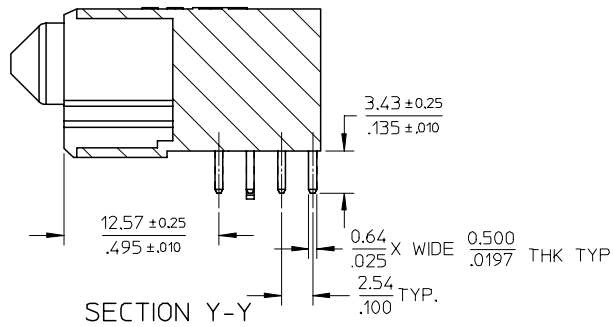
C

B

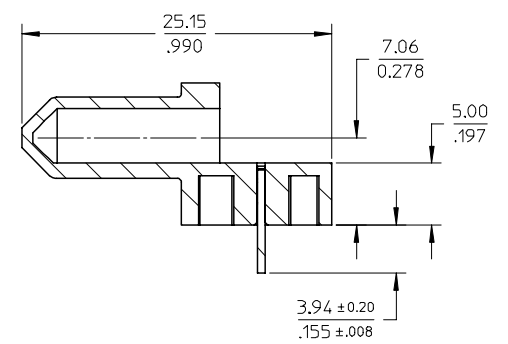
A



SECTION X-X



SECTION Y-Y



SECTION Z-Z

CONNECTOR - NOTES

1. MATERIALS

- HOUSING - LCP, GLASS FILLED,
UL 94V-0, COLOR: BLACK
- POWER PIN - COPPER ALLOY
- SIGNAL PIN - COPPER ALLOY
- BOARD LOCK - COPPER ALLOY

2 PLATING

POWER AND SIGNAL PINS - 0.76 MICROMETER MINIMUM GOLD (Au) AT CONTACT AREA AND 2.54 MICROMETER MINIMUM TIN AT SOLDER TAIL AREA OVER 1.27 MICROMETER MINIMUM NICKEL (Ni) UNDERPLATE.

3. PRODUCT SPECIFICATION : PS-87615-005.

4. SEE SHEET 3 FOR RECOMMENDED PCB LAYOUT AND THICKNESS

5 MATES WITH MOLEX PART NUMBER : 87615-0001

△ COMPONENT STAY AWAY ZONE FROM CONNECTOR

OBS TIN/LEAD P/N EC NO: S2006-0994 DRWN:MLONG CHKD:CGOH APPR:PTLIM	2006/04/05	DESCRIPTION
	2006/04/05	
	2006/04/05	
	2006/04/05	
D	REV	

QUALITY SYMBOLS
▽=0
∇=0

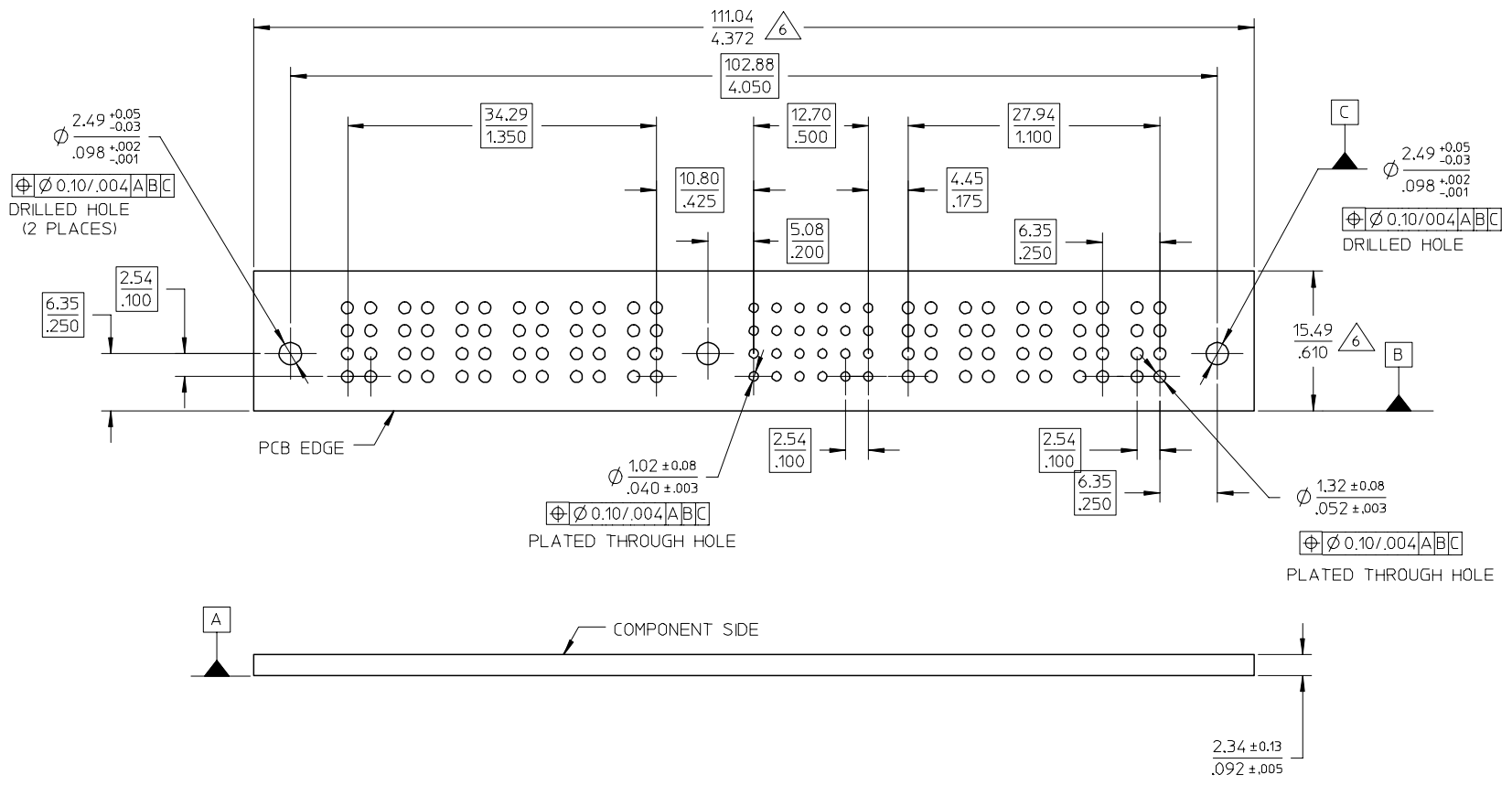
GENERAL TOLERANCES (UNLESS SPECIFIED)	mm	INCH
	4 PLACES ± ---	± ---
	3 PLACES ± ---	± .005
	2 PLACES ± 0.13	± .010
	1 PLACE ± 0.25	± ---
	ANGULAR ± 3 °	
DRAFT WHERE APPLICABLE MUST REMAIN WITHIN DIMENSIONS		

DIMENSION STYLE	
MM/IN	
DRAWN BY	DATE
KMGOH	2002/08/01
CHECKED BY	DATE
PTLIM	2002/11/21
APPROVED BY	DATE
SKTOH	2002/11/21
MATERIAL NO.	
SEE TABLE	
SIZE	
A3	

SCALE	DESIGN UNITS	THIRD ANGLE PROJECTION
NTS	METRIC	
TITLE		
MPS POWER RECEPTACLE 6POWER-24SIGNAL-5POWER R/A, T/H		
MOLEX MOLEX INCORPORATED		
DOCUMENT NO.		SHEET NO.
SD-87616-011		2 OF 3
THIS DRAWING CONTAINS INFORMATION THAT IS PROPRIETARY TO MOLEX INCORPORATED AND SHOULD NOT BE USED WITHOUT WRITTEN PERMISSION		

9 8 7 6 5 4 3 2 1

10	9	8	7	6	5	4	3	2	1
PART NUMBER	PART STATUS	PACKAGING							
87616-1001	TOOLED	TRAY							



OBS TIN/LEAD P/N EC NO: S2006-0994 DRWN:MLONG CHKD:CGOH APPR:PTL IM	2006/04/05 2006/04/05 2006/04/05	DESCRIPTION REV	QUALITY SYMBOLS	GENERAL TOLERANCES (UNLESS SPECIFIED)	DIMENSION STYLE	SCALE	DESIGN UNITS	THIRD ANGLE PROJECTION
			▽=0 ▽C=0	mm INCH	MM/IN	NTS	METRIC	
				4 PLACES ± --- ± --- 3 PLACES ± --- ± .005 2 PLACES ± 0.13 ± .010 1 PLACE ± 0.25 ± --- ANGULAR ± 3 °	DRAWN BY DATE KMG0H 2002/08/01 CHECKED BY DATE PTL IM 2002/11/21 APPROVED BY DATE SKT0H 2002/11/21	TITLE MPS POWER RECEPTACLE 6POWER-24SIGNAL-5POWER R/A, T/H		
			DRAFT WHERE APPLICABLE MUST REMAIN WITHIN DIMENSIONS	MATERIAL NO. SEE TABLE	DOCUMENT NO. SD-87616-011	SHEET NO. 3 OF 3		