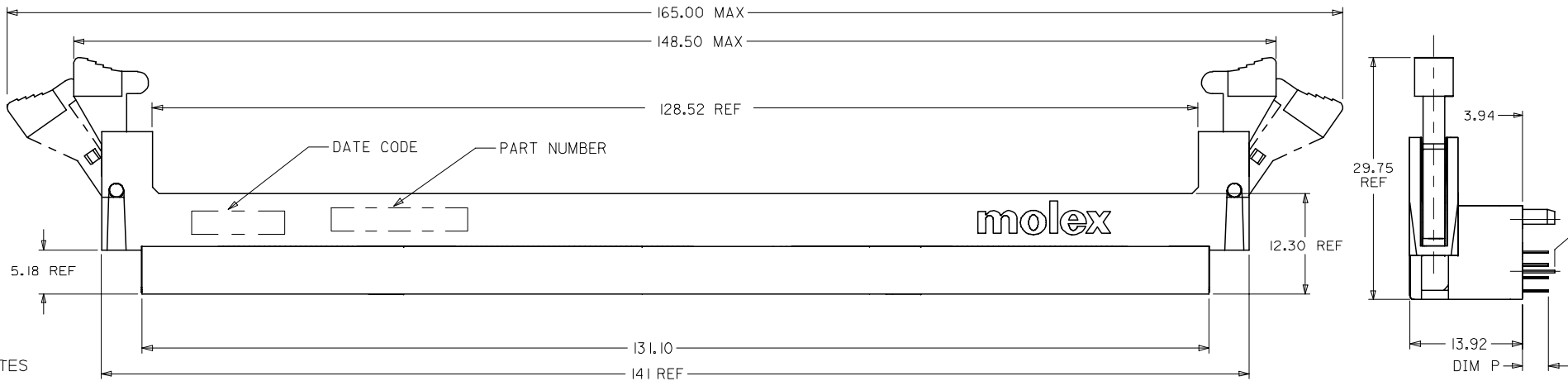
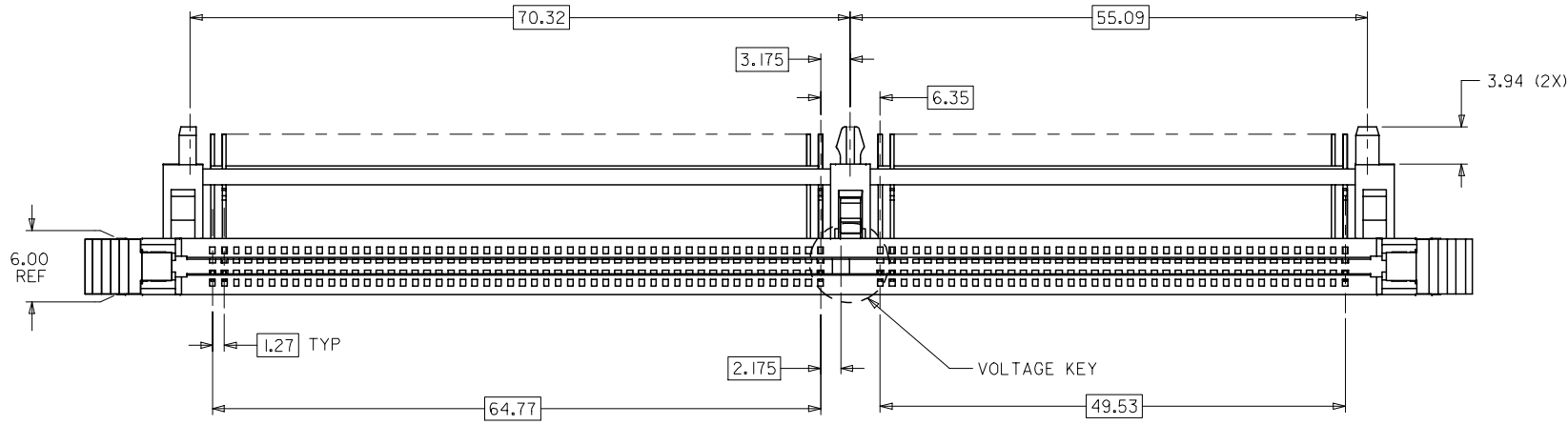


10 9 8 7 6 5 4 3 2 1



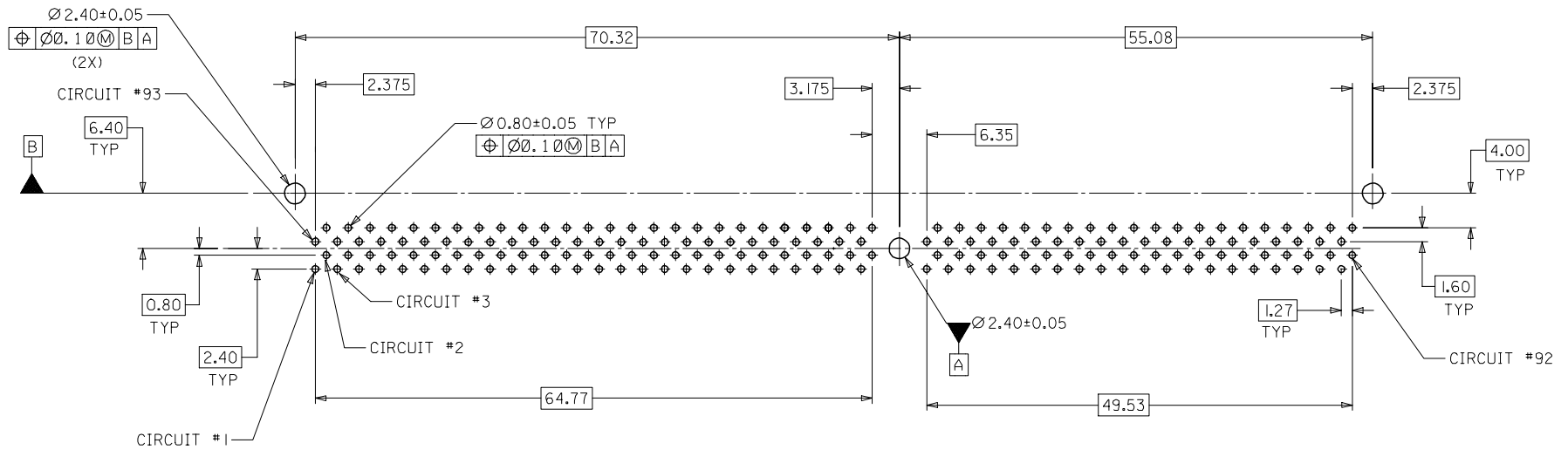
NOTES

- MATERIALS:
HOUSING AND BASEPLATE - HIGH TEMP LCP GLASS FILLED, UL 94V-0
COLOR: BLACK
EJECTORS - HIGH TEMP NYLON GLASS FILLED, UL 94V-0
COLOR: NATURAL (OFF WHITE)
TERMINALS AND FORKLOCK - COPPER ALLOY
- FINISHES: CONTACT AREA: SEE TABLE
SOLDERTAIL: 2.54mm/100µMIN. TIN
UNDERPLATE: 1.27mm/50µ IN. NICKEL
- PRODUCT SPECIFICATIONS: PS-87609-002 FOR PERFORMANCE SPECIFICATIONS.
- DATE CODE SHALL BE MARKED LEGIBLY AS SHOWN: XX XX
YEAR WEEK
- PART NUMBER SHALL BE MARKED LEGIBLY AS SHOWN: 87655-0XXX
REFER TO TABLE

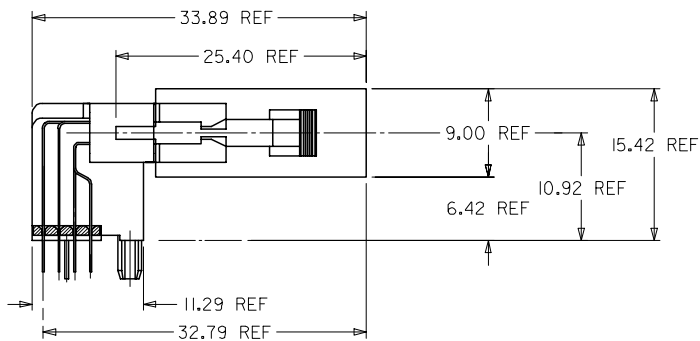
OBS TIN/LEAD P/N EC NO: S2006-0746 2006/02/27 DRWN:MLONG CHKD:HO 2006/02/28 APPR:GJLEE 2006/02/28	QUALITY SYMBOLS ▽=0 ∇=0	GENERAL TOLERANCES (UNLESS SPECIFIED)		DIMENSION STYLE MM ONLY		SCALE NTS	DESIGN UNITS METRIC	THIRD ANGLE PROJECTION		
			mm	INCH	DRAWN BY MLONG	DATE 2000/12/21	TITLE DDR DIMM, 1.27MM PITCH 184 CKTS, R/A			
		4 PLACES	± ---	± ---	CHECKED BY SQUEK	DATE 2000/12/29	MOLEX INCORPORATED			
		3 PLACES	± ---	± ---	APPROVED BY SKTOH	DATE 2000/12/29				
2 PLACES	± 0.25	± ---	MATERIAL NO. SEE TABLE		DOCUMENT NO. SD-87655-001	SHEET NO. 1 OF 3				
1 PLACE	± ---	± ---	DRAFT WHERE APPLICABLE MUST REMAIN WITHIN DIMENSIONS							
		ANGULAR ± 5 °		THIS DRAWING CONTAINS INFORMATION THAT IS PROPRIETARY TO MOLEX INCORPORATED AND SHOULD NOT BE USED WITHOUT WRITTEN PERMISSION						

9 8 7 6 5 4 3 2 1

CONTACT AREA	PART NUMBER	VOLTAGE KEY	TAIL LENGTH P±0.25	RECOMMENDED PCB THICKNESS
0.38µm/15µ" MIN. GOLD	87655-0004	LEFT (2.5V)	2.79	1.57
	87655-0005		3.18	
0.76µm/30µ" MIN. GOLD	87655-0007		2.79	



RECOMMENDED
P.C. BOARD HOLE PATTERN
(CONNECTOR SIDE)



ACTUAL MODULE HEIGHT AND CLEARANCE
WHEN USING A 9.00MM THICK BY 25.40MM HEIGHT
MODULE (TYPICAL SOJ PACKAGING).

OBS TIN/LEAD P/N EC NO: S2006-0746 DRWN:MLONG CHKD:IHO APPR:GGLLEE	2006/02/27	DESCRIPTION
	2006/02/28	
	2006/02/28	
	2006/02/28	

QUALITY SYMBOLS	▽=0
	▽C=0

GENERAL TOLERANCES (UNLESS SPECIFIED)	DIMENSION STYLE	
	MM ONLY	
4 PLACES	± ---	± ---
3 PLACES	± ---	± ---
2 PLACES	± 0.25	± ---
1 PLACE	± ---	± ---
ANGULAR ± 5 °		
DRAFT WHERE APPLICABLE MUST REMAIN WITHIN DIMENSIONS		

DRAWN BY	DATE
MLONG	2000/12/21
CHECKED BY	DATE
SQUEK	2000/12/29
APPROVED BY	DATE
SKTOH	2000/12/29
MATERIAL NO.	SEE TABLE

SCALE	DESIGN UNITS	THIRD ANGLE PROJECTION
NTS	METRIC	
TITLE		
DDR DIMM, 1.27MM PITCH 184 CKTS, R/A		
MOLEX INCORPORATED		SHEET NO.
SD-87655-001		2 OF 3
THIS DRAWING CONTAINS INFORMATION THAT IS PROPRIETARY TO MOLEX INCORPORATED AND SHOULD NOT BE USED WITHOUT WRITTEN PERMISSION		

