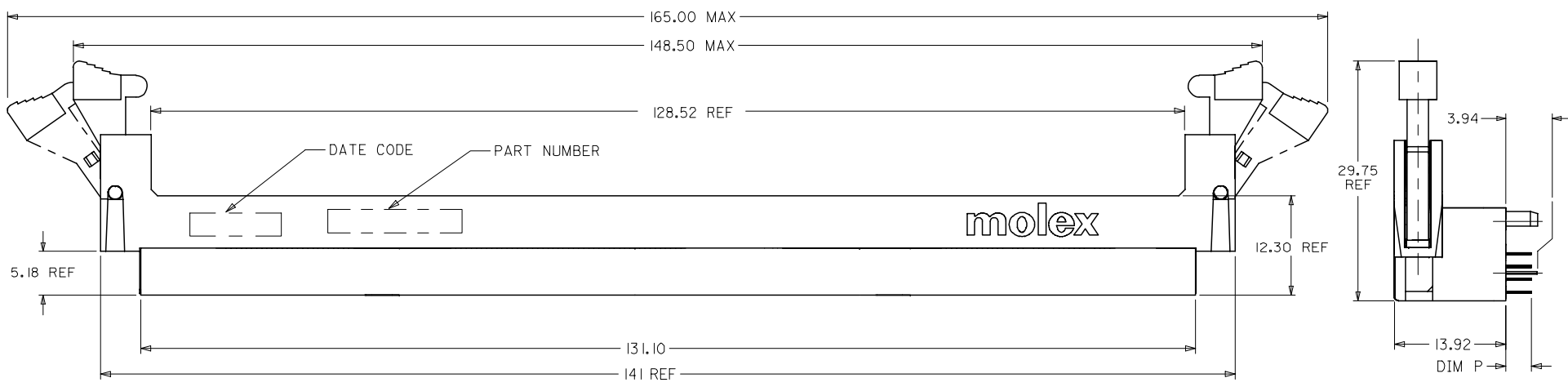
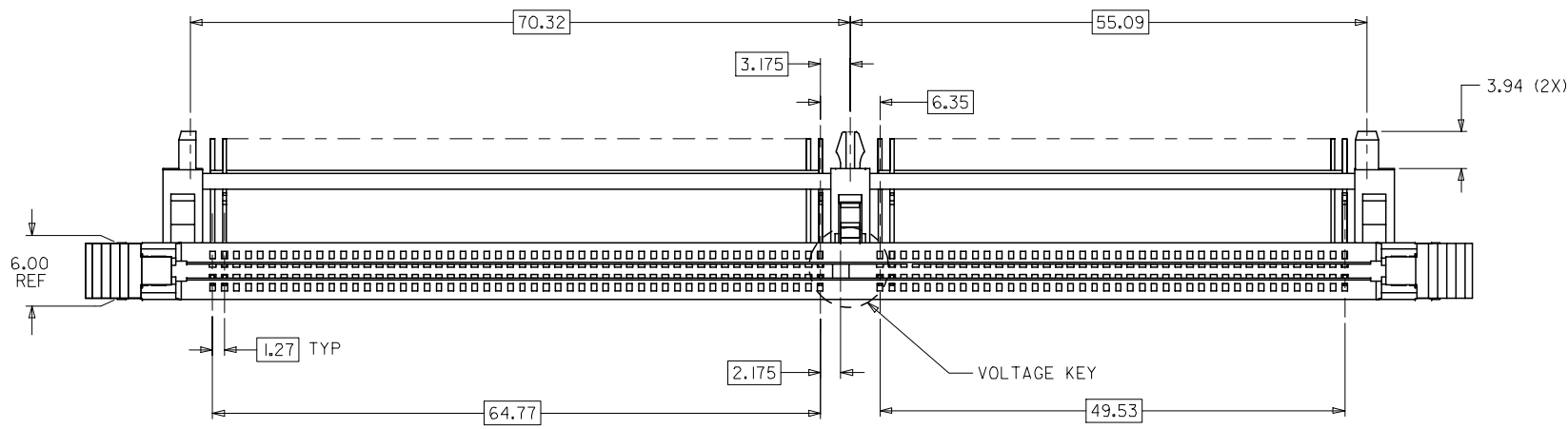


10 9 8 7 6 5 4 3 2 1



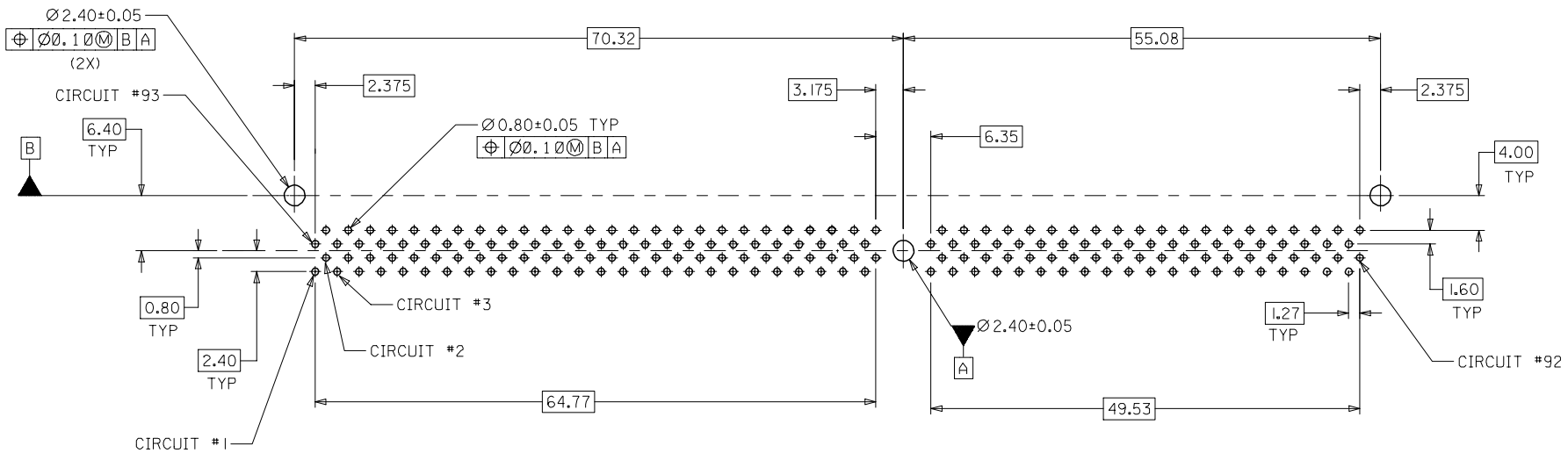
- NOTES:
- MATERIALS: HOUSING, BASEPLATE AND LATCH - HIGH TEMPERATURE THERMOPLASTIC, UL 94-V0 TERMINAL AND FORKLOCK - COPPER ALLOY
  - FINISHES: CONTACT AREA: 0.38um/15u" MIN. GOLD  
SOLDER TAIL: 2.54um/100u" MIN. TIN/LEAD OR TIN  
UNDERPLATE: 1.27um/50u" MIN. NICKEL

- PRODUCT SPECIFICATIONS: PS-87609-002 FOR PERFORMANCE SPECIFICATIONS.
- DATE CODE SHALL BE MARKED LEGIBLY AS SHOWN: XX XX YEAR WEEK
- PART NUMBER SHALL BE MARKED LEGIBLY AS SHOWN: 87655-OXXX REFER TO TABLE

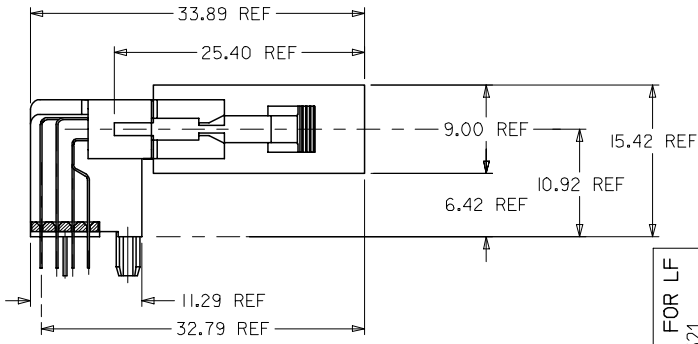
ADD ASSY P/N FOR LF EC NO: S2004-0521 DRAWN:MLONG 2004/09/08 CHKD:ATSEE 2004/09/08 APPR:SKTOH 2004/09/09	QUALITY SYMBOLS ▽=0 ▽=0	GENERAL TOLERANCES (UNLESS SPECIFIED)		DIMENSION STYLE MM ONLY	SCALE NTS	DESIGN UNITS METRIC	THIRD ANGLE PROJECTION		
		4 PLACES ± --- ± ---	3 PLACES ± --- ± ---	mm	INCH	DRAWN BY DATE MLONG 2000/12/21			
		2 PLACES ± 0.25 ± ---	1 PLACE ± --- ± ---	CHECKED BY DATE SQUEK 2000/12/29			TITLE SALES DRAWING DDR DIMM, 1.27MM PITCH 184 CKTS, R/A		
		ANGULAR ± 5 °		APPROVED BY DATE SKTOH 2000/12/29			MOLEX MOLEX INCORPORATED		
REV	DESCRIPTION	DRAFT WHERE APPLICABLE MUST REMAIN WITHIN DIMENSIONS		SEE TABLE	DOCUMENT NO. SD-87655-001		SHEET NO. 1 OF 3		

9 8 7 6 5 4 3 2 1

PLATING OPTION	MATERIAL NO.	VOLTAGE KEY	TAIL LENGTH P±0.25	RECOMMENDED PCB THICKNESS
TIN/LEAD	87655-0001	LEFT (2.5V)	2.79	1.57
	87655-0002		3.18	
TIN	87655-0004	LEFT (2.5V)	2.79	1.57
	87655-0005		3.18	



RECOMMENDED  
P.C. BOARD HOLE PATTERN  
(CONNECTOR SIDE)



ACTUAL MODULE HEIGHT AND CLEARANCE  
WHEN USING A 9.00MM THICK BY 25.40MM HEIGHT  
MODULE (TYPICAL SOJ PACKAGING).

REV	DESCRIPTION
C	ADD ASSY P/N FOR LF
	EC NO: S2004-0521
	DRWN:MLONG 2004/09/08
	CHKD:ATSEE 2004/09/08
	APPR:SKTOH 2004/09/09

QUALITY SYMBOLS	▽=0
	∇=0

GENERAL TOLERANCES (UNLESS SPECIFIED)	
	ANGULAR ± 5 °
4 PLACES	± ---
3 PLACES	± ---
2 PLACES	± 0.25
1 PLACE	± ---

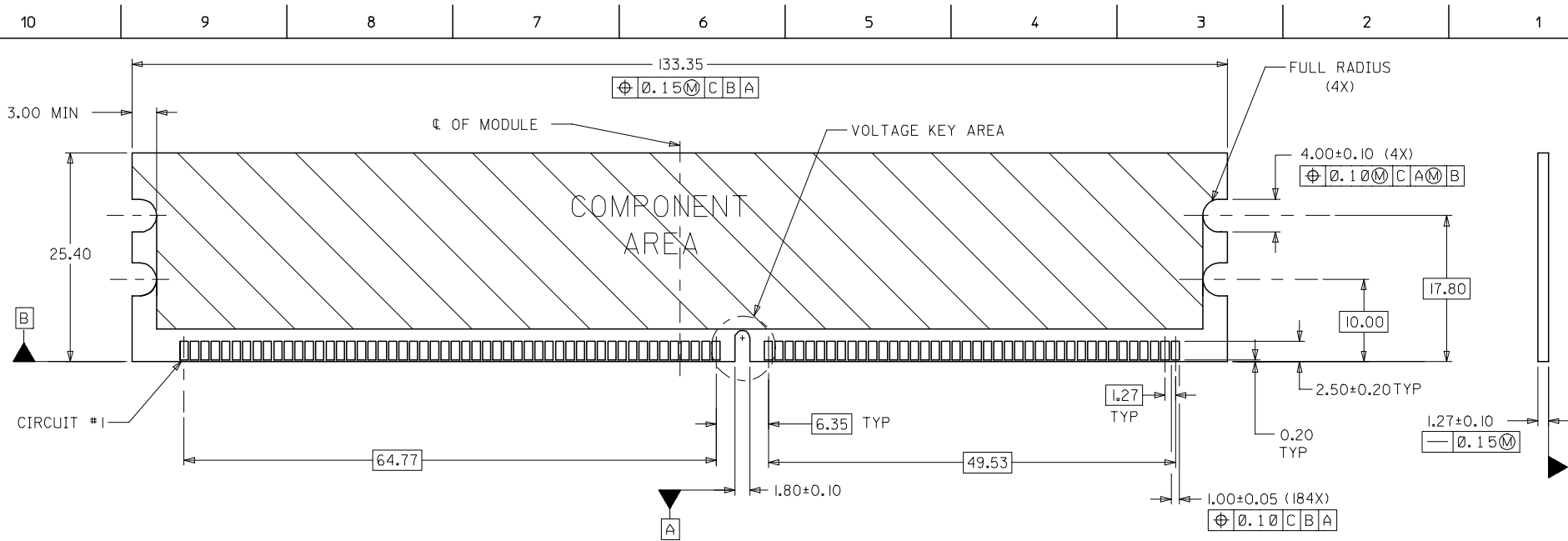
DIMENSION STYLE MM ONLY	
DRAWN BY	DATE
MLONG	2000/12/15
CHECKED BY	DATE
SQUEK	2000/12/29
APPROVED BY	DATE
SKTOH	2000/12/29
MATERIAL NO.	

SCALE	DESIGN UNITS	THIRD ANGLE PROJECTION
NTS	METRIC	☉ □
TITLE		
SALES DRAWING		
DDR DIMM, 1.27MM PITCH		
184 CKTS, R/A		
MOLEX INCORPORATED		
DOCUMENT NO.	SHEET NO.	
SD-87655-001	2 OF 3	

DRAFT WHERE APPLICABLE  
MUST REMAIN  
WITHIN DIMENSIONS

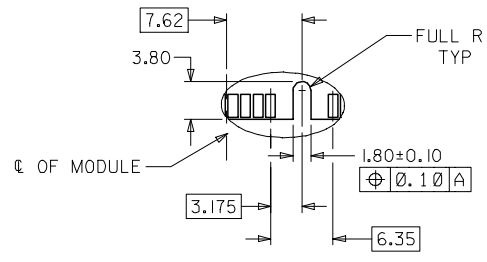
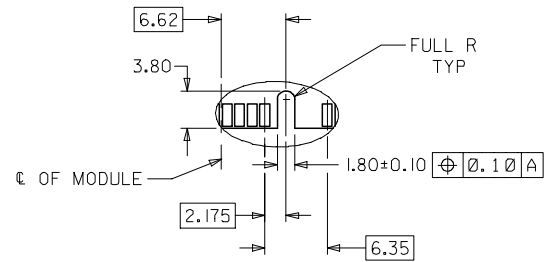
SIZE A3

THIS DRAWING CONTAINS INFORMATION THAT IS PROPRIETARY TO MOLEX  
INCORPORATED AND SHOULD NOT BE USED WITHOUT WRITTEN PERMISSION



RECOMMENDED MODULE LAYOUT  
 (PER JEDEC STANDARD MO-206, 184 CKT.)  
 UNLESS OTHERWISE SPECIFIED, GENERAL TOLERANCE FOR MODULE = ±0.13

VOLTAGE KEY AREA OPTIONS



OFFSET LEFT KEY  
 (2.5 VOLTS)

CENTERED KEY  
 (1.8 VOLTS)

ADD ASSY P/N FOR LF EC NO: S2004-0521 DRAWN: MLONG 2004/09/08 CHKD: ATSEE 2004/09/08 APPR: SKTOH 2004/09/09	QUALITY SYMBOLS ▽=0 ▽=0	GENERAL TOLERANCES (UNLESS SPECIFIED)		DIMENSION STYLE MM ONLY	SCALE NTS	DESIGN UNITS METRIC	THIRD ANGLE PROJECTION			
		4 PLACES ± --- ± ---	3 PLACES ± --- ± ---	2 PLACES ± 0.25 ± ---	1 PLACE ± --- ± ---	ANGULAR ± 5 °	DRAWN BY MLONG 2000/12/21	DATE 2000/12/21	TITLE SALES DRAWING DDR DIMM, 1.27MM PITCH 184 CKTS, R/A	
		DRAFT WHERE APPLICABLE MUST REMAIN WITHIN DIMENSIONS		SEE TABLE	APPROVED BY SKTOH 2000/12/29	DATE 2000/12/29	MOLEX INCORPORATED		DOCUMENT NO. SD-87655-001	SHEET NO. 3 OF 3
		THIS DRAWING CONTAINS INFORMATION THAT IS PROPRIETARY TO MOLEX INCORPORATED AND SHOULD NOT BE USED WITHOUT WRITTEN PERMISSION								