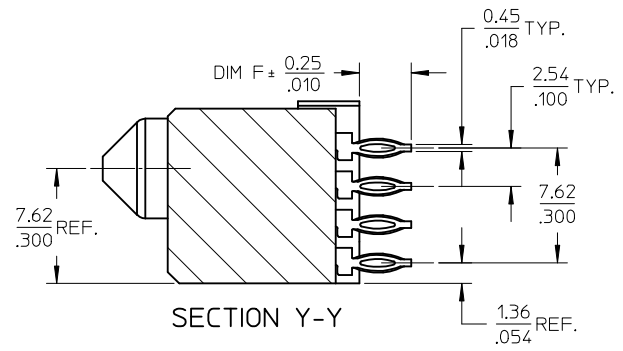
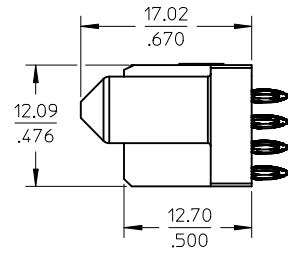
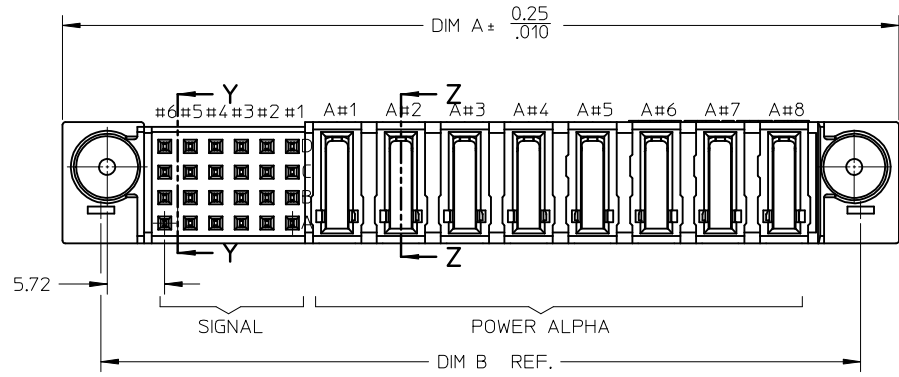
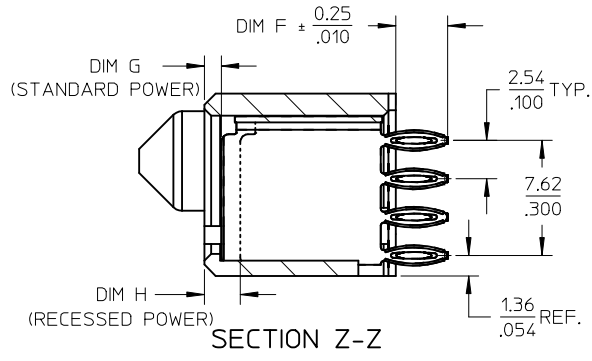


ISOMETRIC VIEW



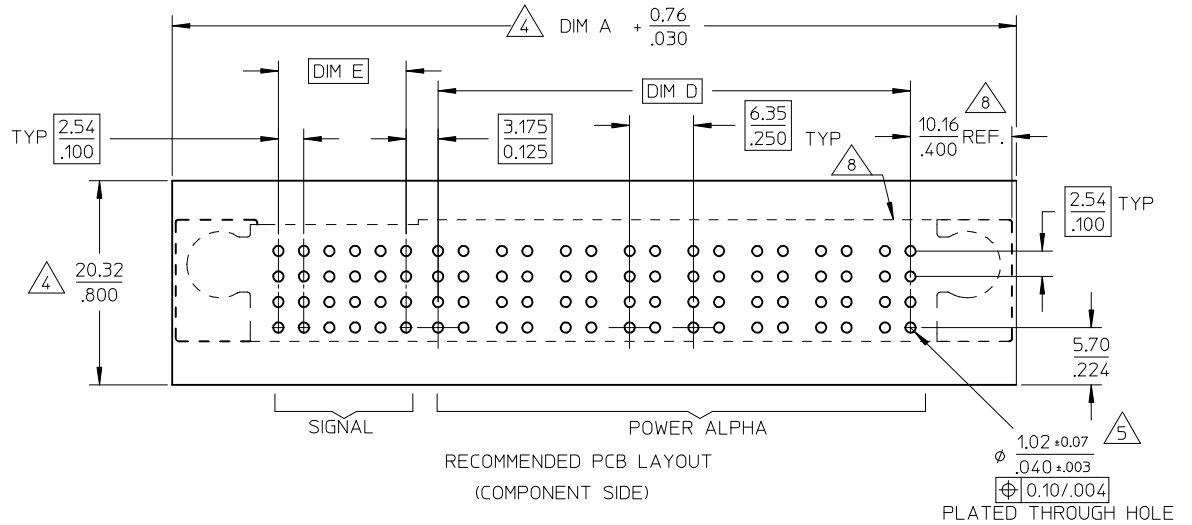
SECTION Y-Y



SECTION Z-Z

REVISED EC NO: S2014-0060 2013/07/16 DRW:SKANG 2013/09/06 CHKD:MLONG 2013/09/09 APPR:MLONG	QUALITY SYMBOLS	GENERAL TOLERANCES (UNLESS SPECIFIED)	DIMENSION STYLE	SCALE	DESIGN UNITS	THIRD ANGLE PROJECTION
	$\nabla_A = 0$ $\nabla_C = 0$ $\nabla_F = 0$	mm INCH 4 PLACES ± --- ± --- 3 PLACES ± --- ± --- 2 PLACES ± 0.13 ± --- 1 PLACE ± 0.25 ± --- 0 PLACE ± ±	MM/IN	NTS	METRIC	
	DRAFT WHERE APPLICABLE MUST REMAIN WITHIN DIMENSIONS	DRAWN BY: KMG0H DATE: 2002/11/18 CHECKED BY: DATE: APPROVED BY: DATE: 2002/11/21 SKTOH	TITLE			POWER CONN. RECEPTACLE P(A)-S CONFIGURATION VERTICAL PRESS-FIT
	MATERIAL NO. SEE TABLE	DOCUMENT NO. SD-87697-011	SHEET NO. 1 OF 2	molex		

PART NUMBER	P-S CONFIGURATION		RECESS POWER CIRCUIT #	DIM A	DIM B	DIM C	DIM D	DIM E	DIM F ±0.25	DIM G	DIM H	PACKAGING
	POWER ALPHA	SIGNAL										
87697-2001	8	24	A#5,A#6,A#7,A#8	83.18 3.275	75.57 2.975	74.29 2.925	46.99 1.850	12.70 .500	3.43 .135	1.12 .044	2.39 .094	TRAY
87697-2002	4	24	NIL	57.78 2.275	50.17 1.975	48.89 1.925	21.59 .850	12.70 .500	3.43 .135	1.12 .044	2.39 .094	TRAY



CONNECTOR - NOTES

1. MATERIALS :

- HOUSING - HIGH TEMPERATURE THERMO-PLASTIC,
GLASS FILLED, UL94-0,COLOR:BLACK.
- SIGNAL PIN - COPPER ALLOY
- POWER PIN - COPPER ALLOY

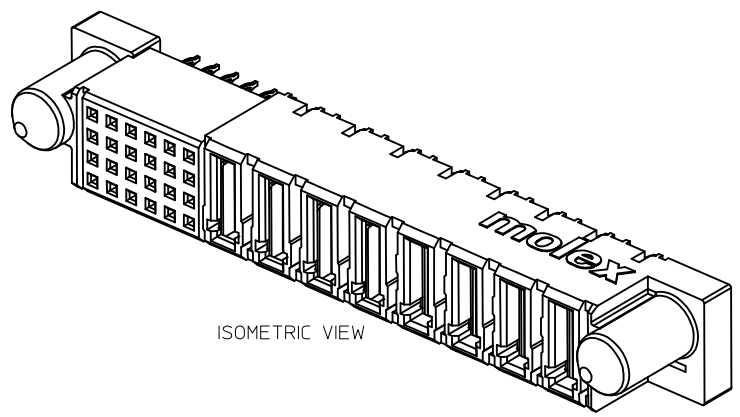
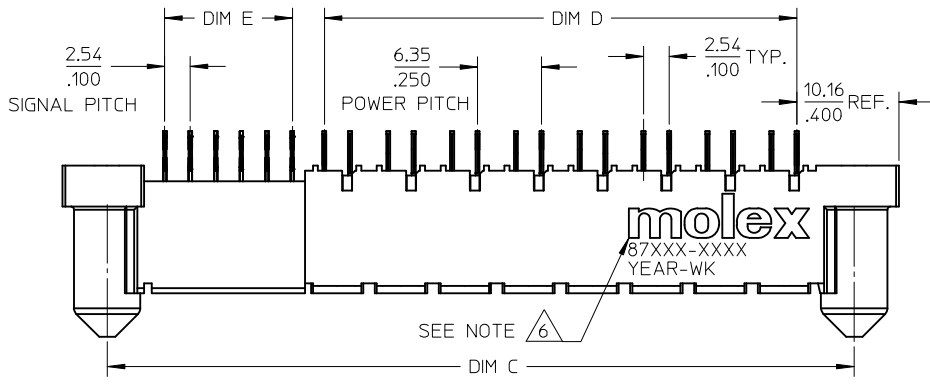
2. FINISH :

- SIGNAL & POWER CONTACTS
- 0.76 MICROMETER MINIMUM GOLD (Au) AT CONTACT AREA AND
- 2.54 MICROMETER MINIMUM TIN (Sn) AT SOLDERTAIL AREA
- OVER 1.27um MIN. NICKEL (Ni) UNDERPLATE.

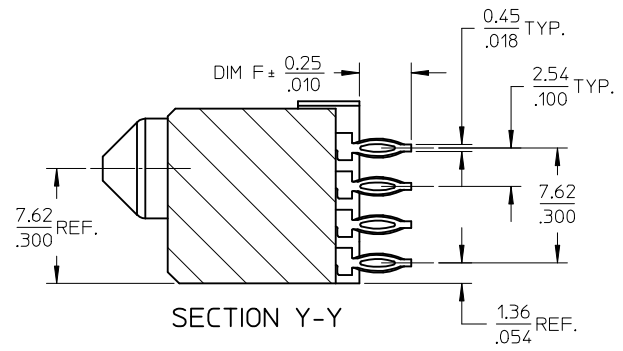
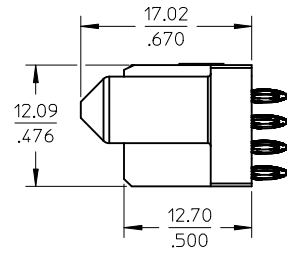
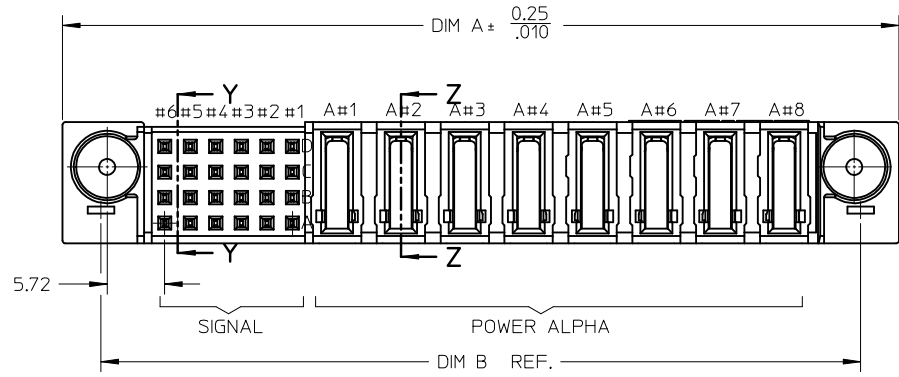
3. PRODUCT SPECIFICATION: PS-87633-006.

- 4. COMPONENT STAY AWAY ZONE FROM CONNECTOR.
- 5. PCB NOTE FOR DIAMETER 1.02/0.40 PLATED HOLE.
 - DRILLED HOLE SIZE IS 1.151/0.453
 - PLATE WITH 0.007/0.003 MINIMUM TIN OVER 0.03/0.01
 - TO 0.08/0.03 COPPER PLATING TO ACHIEVE 1.02±0.08/0.40±0.003 HOLE.
 - SEE SHEET 2 FOR RECOMMENDED PCB LAYOUT.
- 6. MANUFACTURER LOGO,PART NUMBER AND YEAR-WEEK CODE.
- 7. 8 POWER ALHPA-24 SIGNAL CONFIGURATION IS SHOWN FOR ILLUSTRATION.
- 8. IMAGINARY LINE & DIMENSION TO POSITION AND PROVIDE CONNECTOR ORIENTATION WITH RESPECT TO PCB LAYOUT.

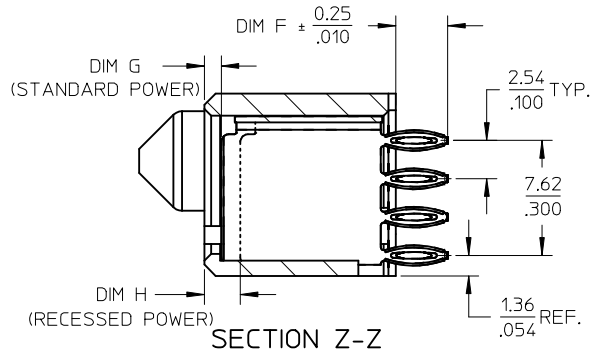
REVISED EC NO: S2014-0060 DRWN:SKANG 2013/07/16 CHKD:MLONG 2013/09/06 APPR:MLONG 2013/09/09	DESCRIPTION REV	QUALITY SYMBOLS	GENERAL TOLERANCES (UNLESS SPECIFIED)		DIMENSION STYLE MM/IN		SCALE NTS	DESIGN UNITS METRIC	THIRD ANGLE PROJECTION				
		$F_A=0$	mm	INCH	DRAWN BY	DATE	TITLE	POWER CONN. RECEPTACLE P(A)-S CONFIGURATION VERTICAL PRESS-FIT molex DOCUMENT NO. SD-87697-011 SHEET NO. 2 OF 2					
		$F_B=0$	4 PLACES ± --- ± ---	3 PLACES ± --- ± ---	2 PLACES ± 0.13 ± ---	1 PLACE ± 0.25 ± ---	0 PLACE ± ±					CHECKED BY	DATE
		$F_C=0$	ANGULAR ± 3 °		DRAFT WHERE APPLICABLE MUST REMAIN WITHIN DIMENSIONS		APPROVED BY					DATE	
	SEE TABLE		MATERIAL NO.		DATE								
D1			SIZE A3		THIS DRAWING CONTAINS INFORMATION THAT IS PROPRIETARY TO MOLEX INCORPORATED AND SHOULD NOT BE USED WITHOUT WRITTEN PERMISSION								



ISOMETRIC VIEW



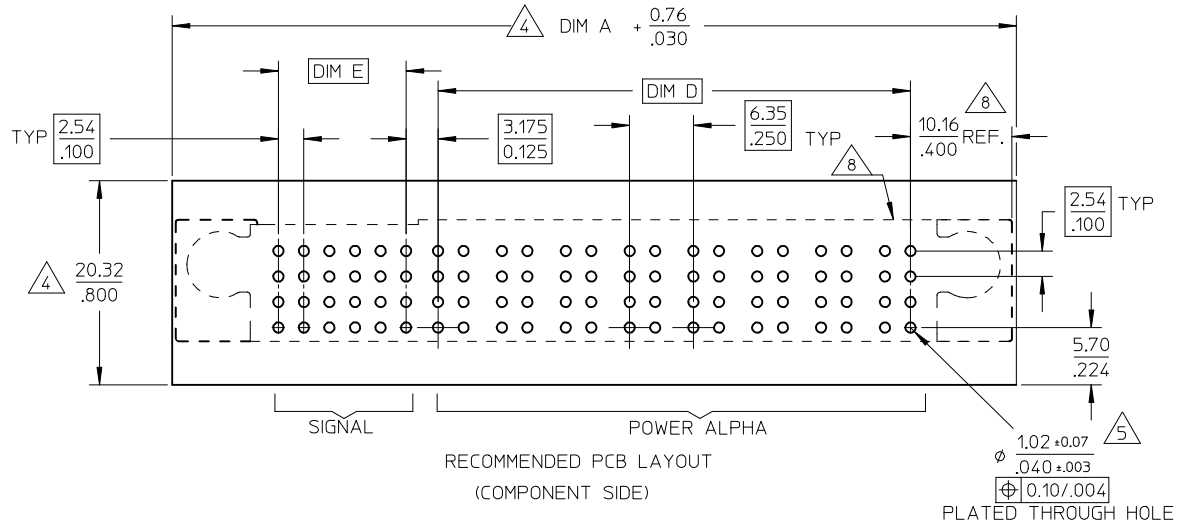
SECTION Y-Y



SECTION Z-Z

REVISED EC NO: S2014-0060 2013/07/16 DRW:SKANG 2013/09/06 CHKD:MLONG 2013/09/09 APPR:MLONG	QUALITY SYMBOLS	GENERAL TOLERANCES (UNLESS SPECIFIED)	DIMENSION STYLE	SCALE	DESIGN UNITS	THIRD ANGLE PROJECTION
	$\nabla_A = 0$ $\nabla_C = 0$ $\nabla_F = 0$	mm INCH 4 PLACES ± --- ± --- 3 PLACES ± --- ± --- 2 PLACES ± 0.13 ± --- 1 PLACE ± 0.25 ± --- 0 PLACE ± ±	MM/IN	NTS	METRIC	
	DRAFT WHERE APPLICABLE MUST REMAIN WITHIN DIMENSIONS	DRAWN BY: KMG0H CHECKED BY: PTLIM APPROVED BY: SKTOH DATE: 2002/11/18 DATE: 2002/11/21 DATE: 2002/11/21				TITLE
		MATERIAL NO. SEE TABLE SIZE A3 THIS DRAWING CONTAINS INFORMATION THAT IS PROPRIETARY TO MOLEX INCORPORATED AND SHOULD NOT BE USED WITHOUT WRITTEN PERMISSION				POWER CONN. RECEPTACLE P(A)-S CONFIGURATION VERTICAL PRESS-FIT molex DOCUMENT NO. SD-87697-011 SHEET NO. 1 OF 2

PART NUMBER	P-S CONFIGURATION		RECESS POWER CIRCUIT #	DIM A	DIM B	DIM C	DIM D	DIM E	DIM F ±0.25	DIM G	DIM H	PACKAGING
	POWER ALPHA	SIGNAL										
87697-2001	8	24	A#5,A#6,A#7,A#8	83.18 3.275	75.57 2.975	74.29 2.925	46.99 1.850	12.70 .500	3.43 .135	1.12 .044	2.39 .094	TRAY
87697-2002	4	24	NIL	57.78 2.275	50.17 1.975	48.89 1.925	21.59 .850	12.70 .500	3.43 .135	1.12 .044	2.39 .094	TRAY



CONNECTOR - NOTES

1. MATERIALS :

- HOUSING - HIGH TEMPERATURE THERMO-PLASTIC,
GLASS FILLED, UL94-0,COLOR:BLACK.
- SIGNAL PIN - COPPER ALLOY
- POWER PIN - COPPER ALLOY

2. FINISH :

- SIGNAL & POWER CONTACTS
- 0.76 MICROMETER MINIMUM GOLD (Au) AT CONTACT AREA AND
- 2.54 MICROMETER MINIMUM TIN (Sn) AT SOLDERTAIL AREA
- OVER 1.27um MIN. NICKEL (Ni) UNDERPLATE.

3. PRODUCT SPECIFICATION: PS-87633-006.

- 4. COMPONENT STAY AWAY ZONE FROM CONNECTOR.
- 5. PCB NOTE FOR DIAMETER 1.02/0.40 PLATED HOLE.
 - DRILLED HOLE SIZE IS 1.151/0.453
 - PLATE WITH 0.007/0.003 MINIMUM TIN OVER 0.03/0.01
 - TO 0.08/0.003 COPPER PLATING TO ACHIEVE 1.02±0.08/0.40±0.003 HOLE.
 - SEE SHEET 2 FOR RECOMMENDED PCB LAYOUT.
- 6. MANUFACTURER LOGO,PART NUMBER AND YEAR-WEEK CODE.
- 7. 8 POWER ALHPA-24 SIGNAL CONFIGURATION IS SHOWN FOR ILLUSTRATION.
- 8. IMAGINARY LINE & DIMENSION TO POSITION AND PROVIDE CONNECTOR ORIENTATION WITH RESPECT TO PCB LAYOUT.

REVISED EC NO: S2014-0060 DRWN:SKANG 2013/07/16 CHKD:MLONG 2013/09/06 APPR:MLONG 2013/09/09	DESCRIPTION REV	QUALITY SYMBOLS	GENERAL TOLERANCES (UNLESS SPECIFIED)		DIMENSION STYLE		SCALE	DESIGN UNITS	THIRD ANGLE PROJECTION			
		$F_A=0$ $F_B=0$ $F_C=0$	mm	INCH	MM/IN		NTS	METRIC				
		4 PLACES ± --- ± --- 3 PLACES ± --- ± --- 2 PLACES ± 0.13 ± --- 1 PLACE ± 0.25 ± --- 0 PLACE ± ±	DRAWN BY DATE KMG0H 2002/11/18		CHECKED BY DATE PTLIM 2002/11/21		TITLED		POWER CONN. RECEPTACLE P(A)-S CONFIGURATION VERTICAL PRESS-FIT			
		ANGULAR ± 3 ° DRAFT WHERE APPLICABLE MUST REMAIN WITHIN DIMENSIONS	APPROVED BY DATE SKTOH 2002/11/21		MATERIAL NO.		DOCUMENT NO.					
D1			SEE TABLE		SD-87697-011		SHEET NO.		2 OF 2			
THIS DRAWING CONTAINS INFORMATION THAT IS PROPRIETARY TO MOLEX INCORPORATED AND SHOULD NOT BE USED WITHOUT WRITTEN PERMISSION												