

NOTES:

1.MATERIALS:

1-1.HOUSING: SEE TABLE ,GLASS FIBER FILLED UL94V-0,
COLOR: SEE TABLE.

1-2.CONTACT: SEE TABLE

2.PLATING:

2-1.CONTACT AREA: GOLD, THICKNESS : SEE TABLE .

2-2.SOLDER TAIL: 100 MICROINCH MIN. TIN PLATING.

2-3.UNDER PLATING: 50 MICROINCH MIN. NICKEL PLATING OVERALL.

3.WEEK CODE: XX(YEAR) XX(WEEK) X(LOCATION).

4.PRODUCT SPECIFICATION REFER TO PS-87715-200.

5.PACKAGING SPECIFICATION REFER TO PK-87715-207.

6.TEST SUMMARY:REFER TO TS-87715-207.

7.LEAD FREE AND ROHS COMPLIANCE PRODUCT.

CONNECTOR LINK WIDTH	# POS REF	N	DIM "A"	DIM "B"	DIM "C"
X1	36	6	7.65	25.00	9.15
X4	64	20	21.65	39.00	23.15
X8	98	37	38.65	56.00	40.15
X16	164	70	71.65	89.00	73.15

PCB THK (REF)	DIM "D"
1.60	2.30
1.58	2.54
2.36	3.00

THIS DRAWING CONTAINS INFORMATION THAT IS PROPRIETARY TO MOLEX ELECTRONIC TECHNOLOGIES, LLC AND SHOULD NOT BE USED WITHOUT WRITTEN PERMISSION		CURRENT REV DESC: MYLAR ADDED		molex	
DIMENSION UNITS: mm		SCALE: NTS			
GENERAL TOLERANCES (UNLESS SPECIFIED)		EC NO: 636384		PCI EXPRESS	
		DRWN: MNAGANATH 2020/04/15		EDGE CARD CONNECTOR (LEAD FREE VERSION)	
		CHK'D: SHLENI 2020/05/08		PRODUCT CUSTOMER DRAWING	
		APPR: SHLENI 2020/05/08		DOCUMENT NUMBER	
4 PLACES ±		INITIAL REVISION:		SD-87715-207	
3 PLACES ±		DRWN: TOM 2004/07/20		DOC TYPE	
2 PLACES ± 0.25 ±		APPR: WILSON 2004/07/20		PSD	
1 PLACE ± 0.25 ±		ANGULAR TOL ± 3.0°		DOC PART	
0 PLACES ±		DRAFT WHERE APPLICABLE MUST REMAIN WITHIN DIMENSIONS		001	
		THIRD ANGLE PROJECTION		REVISION	
		DRAWING: A3-SIZE		J1	
		SERIES: 87715		SHEET NUMBER	
		MATERIAL NUMBER: SEE TABLE		1 OF 5	
		CUSTOMER: GENERAL MARKET			

10

9

8

7

6

5

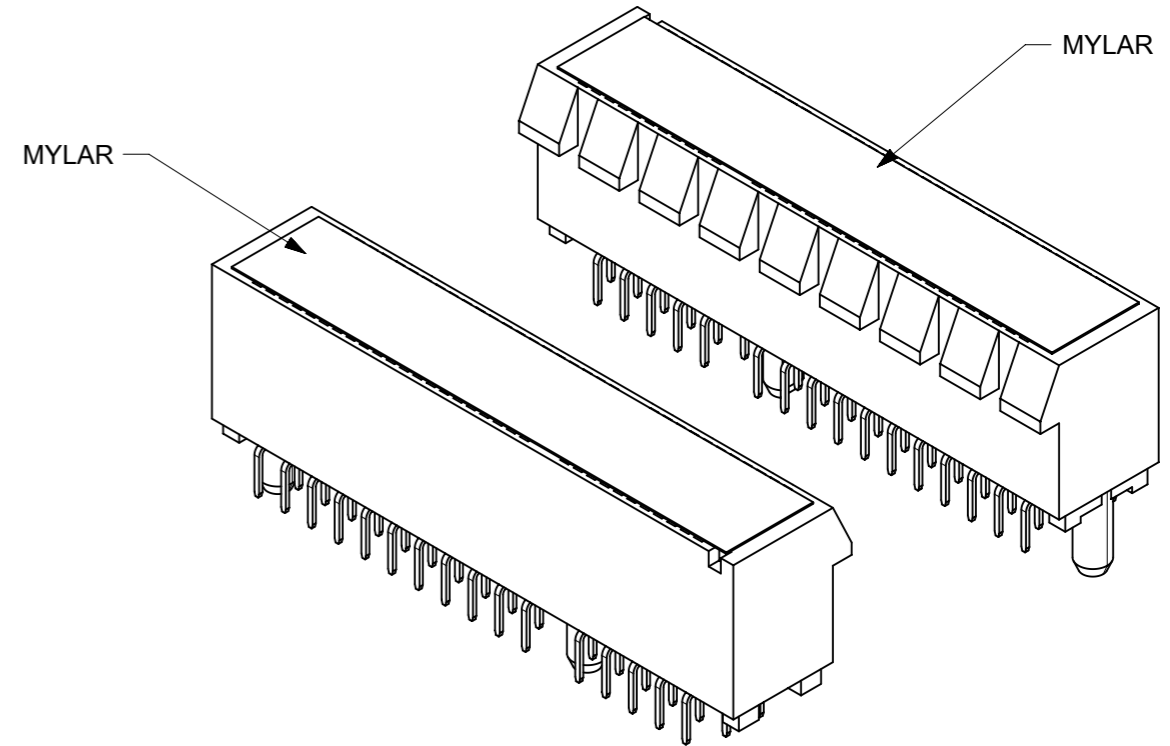
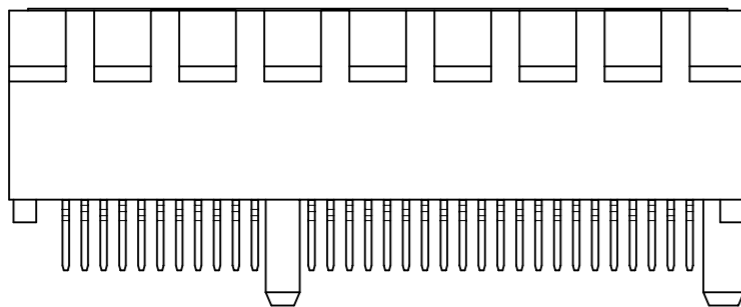
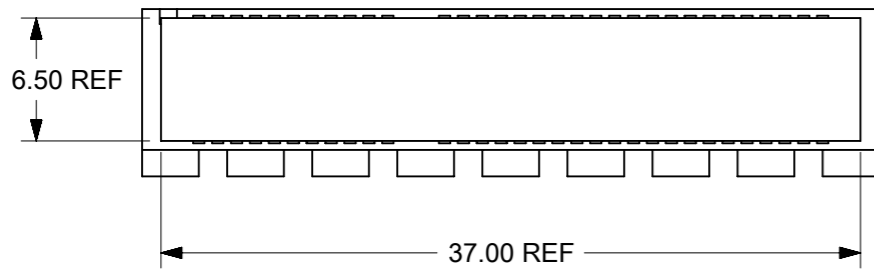
4

3

2

1

MOLEX P/N	CIRCUIT SIZE	HOUSING MATERIAL	HOUSING COLOR	TERMINAL MATERIAL	CONTACT PLATING	SOLDER TAIL "D" LENGTH	NOTES
87715-9154	64	NYLON46	BLACK	PHOSPHOR BRONZE	30 MICROINCH	2.54	WITH MYLAR



THIS DRAWING CONTAINS INFORMATION THAT IS PROPRIETARY TO MOLEX ELECTRONIC TECHNOLOGIES, LLC AND SHOULD NOT BE USED WITHOUT WRITTEN PERMISSION												
DIMENSION UNITS		SCALE		CURRENT REV DESC: MYLAR ADDED								
mm		NTS										
GENERAL TOLERANCES (UNLESS SPECIFIED)				EC NO: 636384				PCI EXPRESS				
				DRWN: MNAGANATH 2020/04/15				EDGE CARD CONNECTOR (LEAD FREE VERSION)				
				CHK'D: SHLENI 2020/05/08				PRODUCT CUSTOMER DRAWING				
				APPR: SHLENI 2020/05/08								
				INITIAL REVISION:				DOCUMENT NUMBER		DOC TYPE	DOC PART	REVISION
4 PLACES ±				DRWN: DRAWN BY 0099/99/99				SD-87715-207		PSD	001	J1
3 PLACES ±				APPR: APPR BY 0099/99/99								
2 PLACES ± 0.25												
1 PLACE ± 0.25												
0 PLACES ±												
ANGULAR TOL ± 3.0°				DRAFT WHERE APPLICABLE MUST REMAIN WITHIN DIMENSIONS				THIRD ANGLE PROJECTION		DRAWING	SERIES	MATERIAL NUMBER
								A3-SIZE		87715	SEE TABLE	GENERAL MARKET
												SHEET NUMBER
												2 OF 5

DOCUMENT STATUS	P1	RELEASE DATE	2020/05/08	00:10:23
-----------------	----	--------------	------------	----------

9

8

7

6

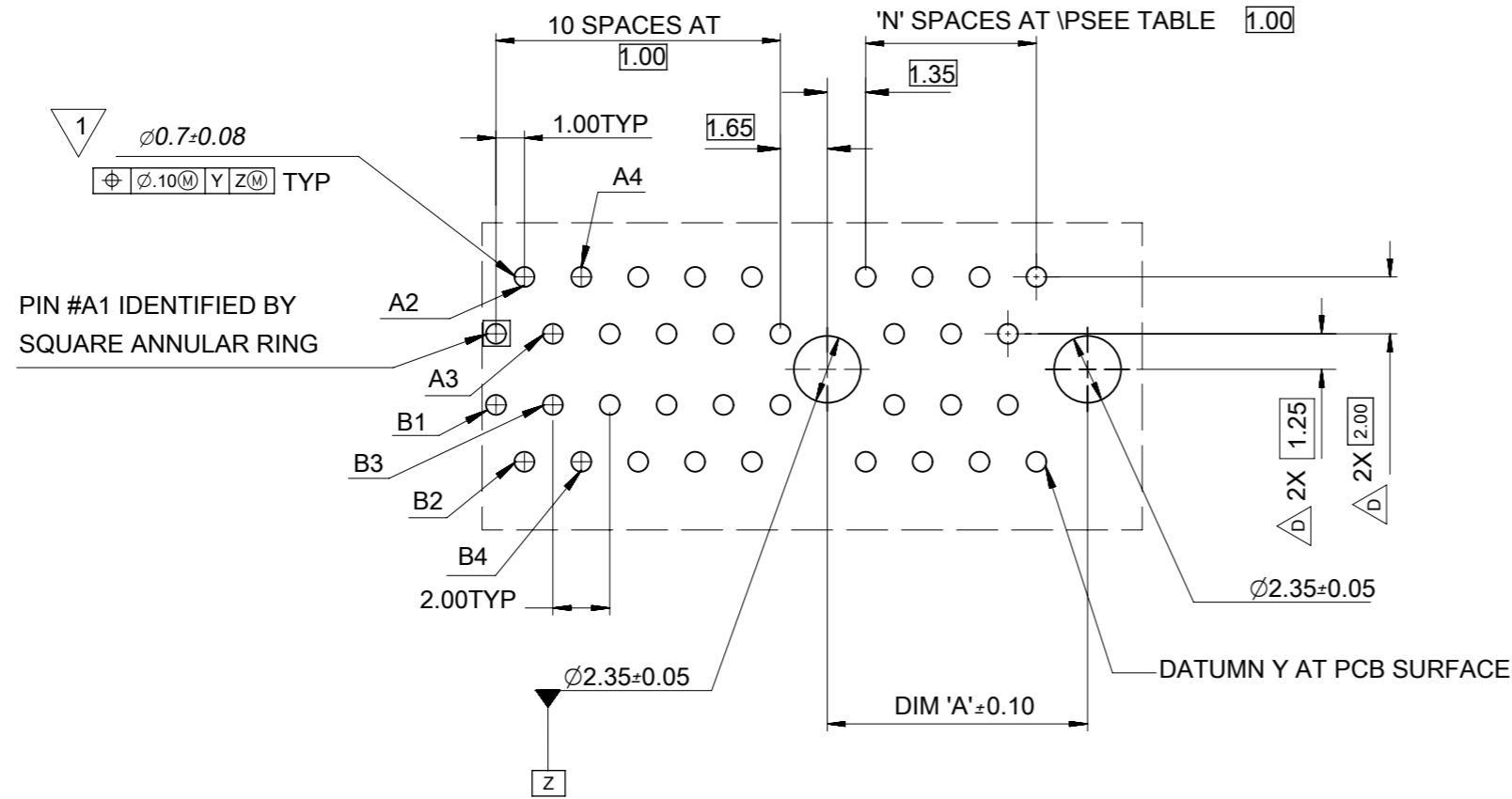
5

4

3

2

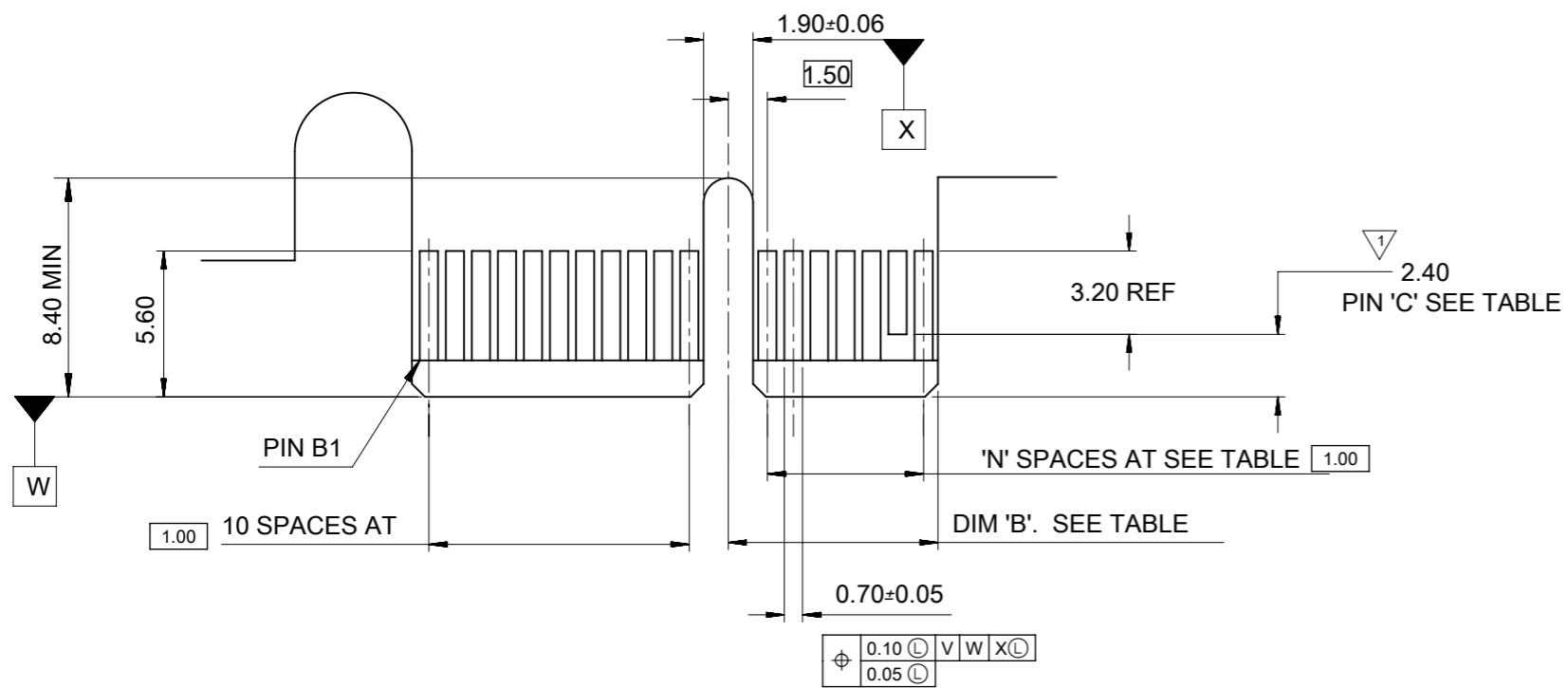
1



1 THE HORIZONTAL AXIS FOR THE HOLE PATTERN IS ESTABLISHED BY A LINE THROUGH THE CENTER OF THE TWO $\varnothing 2.35$ HOLES. THE VERTICAL AXIS IS 90° TO THE HORIZONTAL AXIS. THROUGH THE CENTER OF DATUM Z

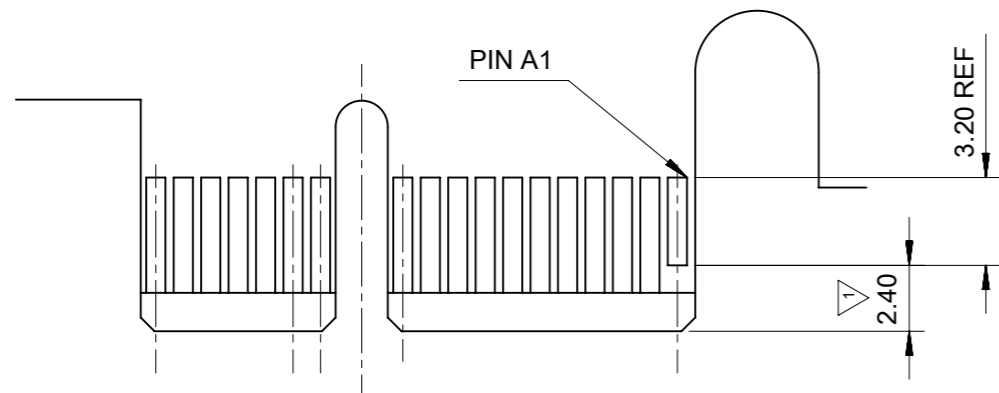
CONNECTOR LINK WIDTH	# POS REF	N	DIM 'A'
X1	36	6	9.15
X4	64	20	23.15
X8	98	37	40.15
X16	164	70	73.15

THIS DRAWING CONTAINS INFORMATION THAT IS PROPRIETARY TO MOLEX ELECTRONIC TECHNOLOGIES, LLC AND SHOULD NOT BE USED WITHOUT WRITTEN PERMISSION									
DIMENSION UNITS		SCALE		CURRENT REV DESC: MYLAR ADDED				molex	
mm		NTS							
GENERAL TOLERANCES (UNLESS SPECIFIED)				EC NO: 636384				PCI EXPRESS	
				DRWN: MNAGANATH 2020/04/15				EDGE CARD CONNECTOR (LEAD FREE VERSION)	
4 PLACES ±				CHK'D: SHLENI 2020/05/08					
3 PLACES ±				APPR: SHLENI 2020/05/08				PRODUCT CUSTOMER DRAWING	
2 PLACES ± 0.25 ±				INITIAL REVISION:				DOCUMENT NUMBER	
1 PLACE ± 0.25 ±				DRWN: TOM 2004/07/20				SD-87715-207	
0 PLACES ±				APPR: WILSON 2004/07/20				PSD 001 J1	
ANGULAR TOL ± 3.0°				THIRD ANGLE PROJECTION		DRAWING		SHEET NUMBER	
DRAFT WHERE APPLICABLE MUST REMAIN WITHIN DIMENSIONS				A3-SIZE		SERIES 87715		3 OF 5	
				MATERIAL NUMBER		CUSTOMER			
				SEE TABLE		GENERAL MARKET			



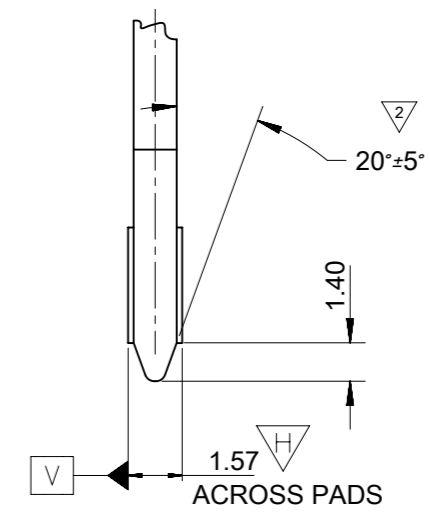
← I/O PANEL DIRECTION

PRIMARY (COMPONENT) SIDE



I/O PANEL DIRECTION →

SECONDARY (SOLDER) SIDE



- 1 NO TIE BAR PERMITTED FROM CARD EDGE TO LEADING EDGE OF PAD FOR PINS A1 AND "C".
- 2 CHAMFER EDGES MUST BE FREE OF CUTTING BURRS.
- 3. TOLERANCE: .XX±.13

CONNECTOR LINK WIDTH	# POS REF	N	DIM 'B'	'C' ¹
X1	36	6	8.15	B17
X4	64	20	22.15	B17, B31
X8	98	37	39.15	B17, B31 B48
X16	164	70	72.15	B17, B31 B48, B81

THIS DRAWING CONTAINS INFORMATION THAT IS PROPRIETARY TO MOLEX ELECTRONIC TECHNOLOGIES, LLC AND SHOULD NOT BE USED WITHOUT WRITTEN PERMISSION									
DIMENSION UNITS		SCALE		CURRENT REV DESC: MYLAR ADDED				molex	
mm		NTS							
GENERAL TOLERANCES (UNLESS SPECIFIED)									
		MM		INCH					
4 PLACES		±		±		EC NO: 636384			
3 PLACES		±		±		DRWN: MNAGANATH 2020/04/15			
2 PLACES		± 0.25		±		CHK'D: SHLENI 2020/05/08			
1 PLACE		± 0.25		±		APPR: SHLENI 2020/05/08			
0 PLACES		±		±		INITIAL REVISION:			
ANGULAR TOL		± 3.0°		± 3.0°		DRWN: TOM 2004/07/20			
						APPR: WILSON 2004/07/20			
DRAFT WHERE APPLICABLE MUST REMAIN WITHIN DIMENSIONS				THIRD ANGLE PROJECTION		DRAWING		SERIES	
				A3-SIZE		87715		MATERIAL NUMBER	
				SEE TABLE		CUSTOMER		SHEET NUMBER	
				GENERAL MARKET		4 OF 5			

MOLEX P/N	CIRCUIT SIZE	HOUSING MATERIAL	HOUSING COLOR	TERMINAL MATERIAL	CONTACT PLATING	SOLDER TAIL "D" LENGTH	NOTES
87715-9100	64	NYLON46	BLACK	PHOSPHOR BRONZE	GOLD FLASH	2.54	WITHOUT MYLAR
87715-9102					15 MICROINCH		
87715-9105					15 MICROINCH	3.00	
87715-9106					30 MICROINCH	2.54	

MOLEX P/N	CIRCUIT SIZE	HOUSING MATERIAL	HOUSING COLOR	TERMINAL MATERIAL	CONTACT PLATING	SOLDER TAIL "D" LENGTH	NOTES
87715-9202	98	NYLON46	BLACK	PHOSPHOR BRONZE	15 MICROINCH	2.54	WITHOUT MYLAR
87715-9205					15 MICROINCH	3.00	
87715-9206					30 MICROINCH	2.54	
87715-9208					15 MICROINCH	2.30	

THIS DRAWING CONTAINS INFORMATION THAT IS PROPRIETARY TO MOLEX ELECTRONIC TECHNOLOGIES, LLC AND SHOULD NOT BE USED WITHOUT WRITTEN PERMISSION									
DIMENSION UNITS		SCALE		CURRENT REV DESC: MYLAR ADDED				molex	
mm		NTS							
GENERAL TOLERANCES (UNLESS SPECIFIED)				EC NO: 636384				PCI EXPRESS	
				DRWN: MNAGANATH 2020/04/15				EDGE CARD CONNECTOR (LEAD FREE VERSION)	
				CHK'D: SHLENI 2020/05/08					
				APPR: SHLENI 2020/05/08				PRODUCT CUSTOMER DRAWING	
4 PLACES ±				INITIAL REVISION:				DOCUMENT NUMBER	
3 PLACES ±				DRWN: TOM 2004/07/20				SD-87715-207	
2 PLACES ± 0.25				APPR: WILSON 2004/07/20				DOC TYPE	
1 PLACE ± 0.25								PSD	
0 PLACES ±								DOC PART	
ANGULAR TOL ± 3.0°								001	
DRAFT WHERE APPLICABLE MUST REMAIN WITHIN DIMENSIONS				THIRD ANGLE PROJECTION		DRAWING		REVISION	
						A3-SIZE		J1	
				SERIES		MATERIAL NUMBER		CUSTOMER	
				87715		SEE TABLE		GENERAL MARKET	
								SHEET NUMBER	
								5 OF 5	

DOCUMENT STATUS	P1	RELEASE DATE	2020/05/08	00:10:23
-----------------	----	--------------	------------	----------