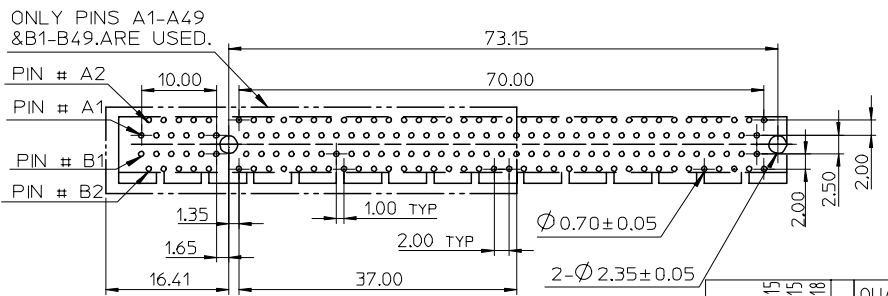
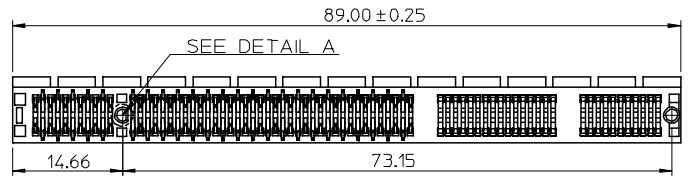
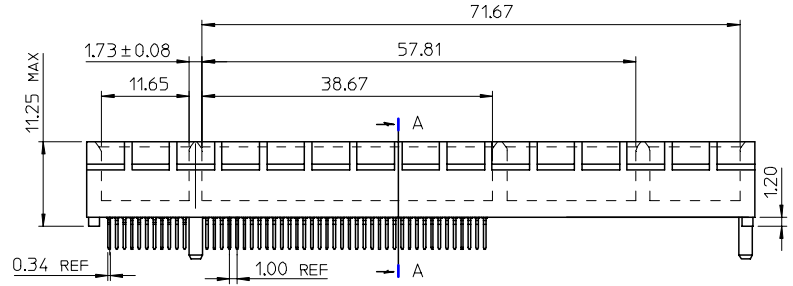
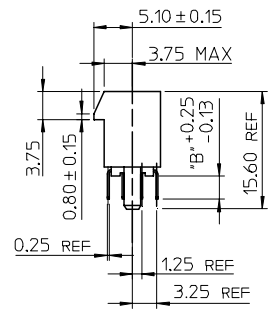


- NOTES:
- MATERIALS:  
1-1.HOUSING:SEE TABLE, 30% GLASS FIBER FILLED UL94V-0  
COLOR:SEE TABLE
  - PLATING:  
2-1.CONTACT AREA:SEE TABLE  
2-2.SOLDER TAIL:SEE TABLE  
2-3.UNDER PLATING:SEE TABLE
  - DATE CODE:TO BE PRINTED
  - PRODUCT SPECIFICATION REFER TO PS-87715-200
  - PACKAGE SPECIFICATION REFER TO PK-87715-203
  - TEST SUMMARY:REFER TO TS-87715-203
  - LEAD FREE AND RoHS COMPLIANT PRODUCT.



MOLEX P/N	CIRCUIT SIZE	HOUSING MATERIAL	HOUSING COLOR	TERMINAL MATERIAL	CONTACT PLATING	SOLDER TAIL PLATING	DIM"B"
87715-9902							2.30
87715-9903	N/A	NYLON46	BLACK	PHOSPHOR BROZNE	GOLD FLASH	100 MICROINCH MIN TIN OVER 50 MICROINCH NICKEL OVERALL	2.54
87715-9904							3.00
87715-9905							2.30
87715-9906	N/A	NYLON46	BLACK	PHOSPHOR BROZNE	GOLD 15 MICROINCH	100 MICROINCH MIN TIN OVER 50 MICROINCH NICKEL OVERALL	2.54
87715-9907							3.00

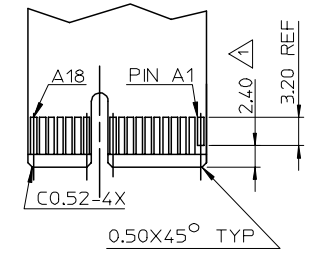
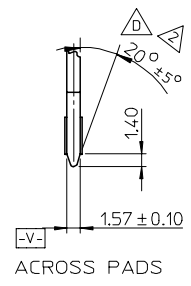
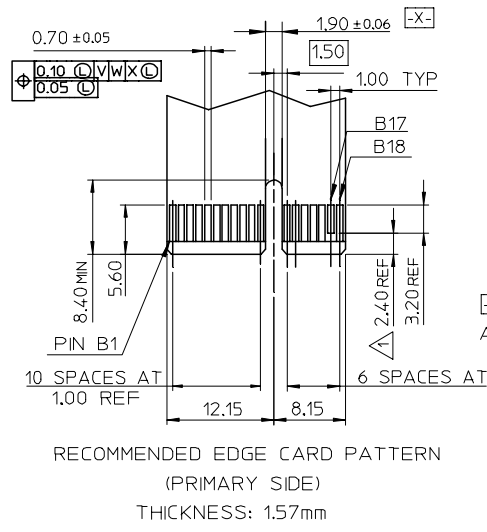
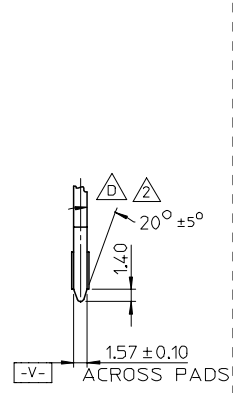
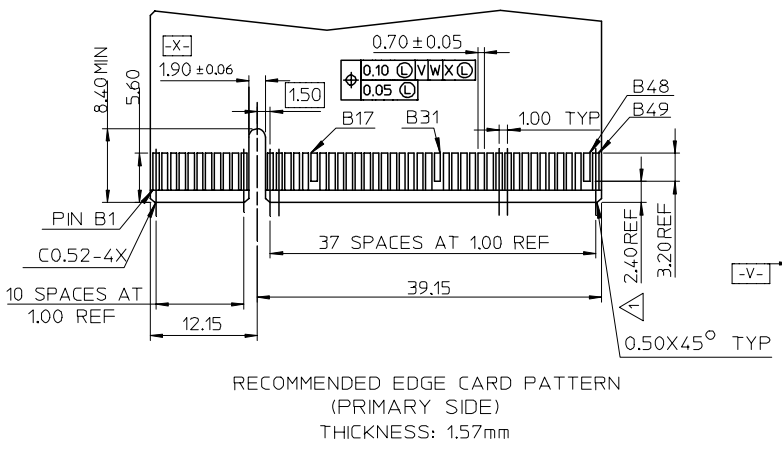
EMR 2006-0005 & 0019  
 EC NO: SH2006-0100  
 DRWN:ALLIN 2006/05/15  
 CHKD: 2006/05/15  
 APPR:WISCHANG 2006/05/18

QUALITY SYMBOLS  	GENERAL TOLERANCES (UNLESS SPECIFIED)		DIMENSION STYLE MM ONLY		SCALE	DESIGN UNITS METRIC	THIRD ANGLE PROJECTION
		mm	INCH	DRAWN BY TOM	DATE 2004/10/15	TITLE PCI EXPRESS X16 LOAD 98 CKT CONNECTOR (LEAD FREE VERSION)	
	4 PLACES	± ---	± ---	CHECKED BY ALLEN LIN	DATE 2004/10/26	MOLEX INCORPORATED	
	3 PLACES	± ---	± ---	APPROVED BY WILSON CHANG	DATE 2004/10/26		
	2 PLACES	± 0.25	± ---	MATERIAL NO.		DOCUMENT NO. SD-87715-208	SHEET NO. 1 OF 2
	1 PLACE	± 0.25	± ---	DRAFT WHERE APPLICABLE MUST REMAIN WITHIN DIMENSIONS		THIS DRAWING CONTAINS INFORMATION THAT IS PROPRIETARY TO MOLEX INCORPORATED AND SHOULD NOT BE USED WITHOUT WRITTEN PERMISSION	

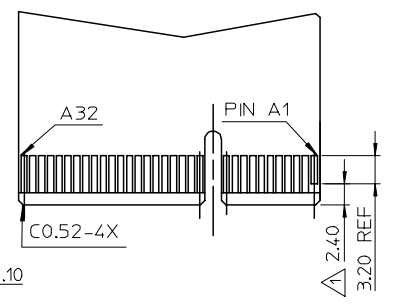
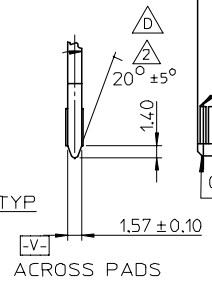
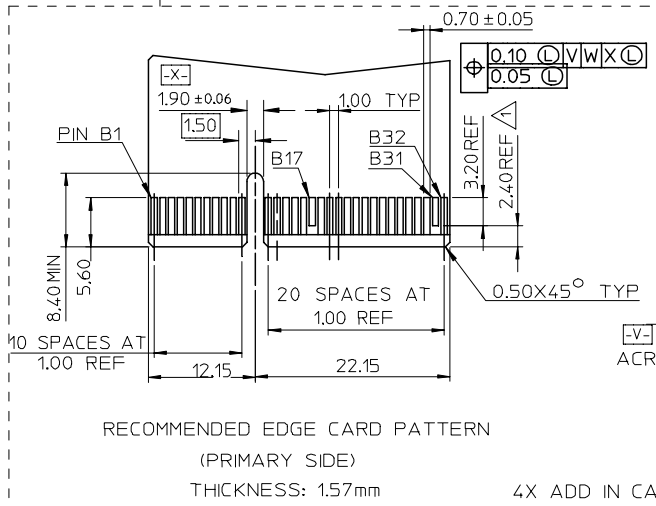
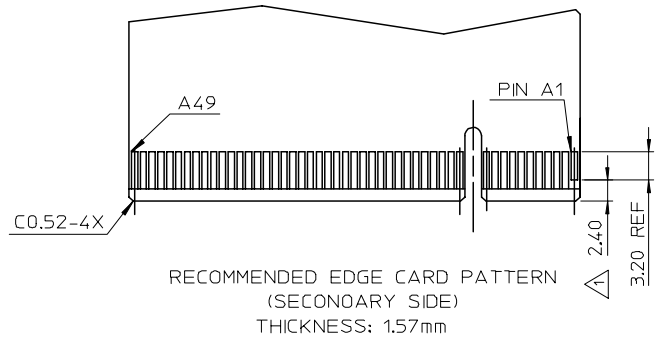
10 9 8 7 6 5 4 3 2 1

F  
E  
D  
C  
B  
A

F  
E  
D  
C  
B  
A



RECOMMENDED EDGE CARD PATTERN  
(SECONDARY SIDE)  
THICKNESS: 1.57mm



RECOMMENDED EDGE CARD PATTERN  
(SECONDARY SIDE)  
THICKNESS: 1.57mm

- △ NO TIE BAR PERMITTED FROM CARD EDGE TO LEADING EDGE OF PAD FOR THE HOT PLUG PINS
- △ CHAMFER EDGES MUST BE FREE OF CUTTING BURRS.

SEE SHEET 1 EC NO: SH2006-0100 DRWN: ALLIN CHKD: APPR: WWSCHANG	2006/05/15 2006/05/15 2006/05/18	DESCRIPTION REV	QUALITY SYMBOLS	GENERAL TOLERANCES (UNLESS SPECIFIED) mm      INCH 4 PLACES ± --- ± --- 3 PLACES ± --- ± --- 2 PLACES ± 0.25 ± --- 1 PLACE ± 0.25 ± --- ANGULAR ± 3°	DIMENSION STYLE	SCALE	DESIGN UNITS	THIRD ANGLE PROJECTION	
			=0 <math>\nabla</math>=0		MM ONLY	METRIC	□ ◻		
					DRAWN BY	TITLE			
					DATE				
					TOM      2004/10/15 CHECKED BY      DATE ALLEN LIN      2004/10/26 APPROVED BY      DATE WILSON CHANG      2004/10/26	PCI EXPRESS X16 LOAD 98 CKT CONNECTOR (LEAD FREE VERSION)			
					MATERIAL NO. SEE TABLE	DOCUMENT NO. SD-87715-208	MOLEX INCORPORATED		
					DRAFT WHERE APPLICABLE MUST REMAIN WITHIN DIMENSIONS	SIZE A3	THIS DRAWING CONTAINS INFORMATION THAT IS PROPRIETARY TO MOLEX INCORPORATED AND SHOULD NOT BE USED WITHOUT WRITTEN PERMISSION		SHEET NO. 2 OF 2

9 8 7 6 5 4 3 2 1