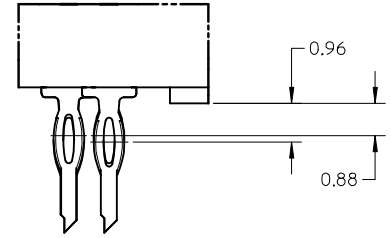


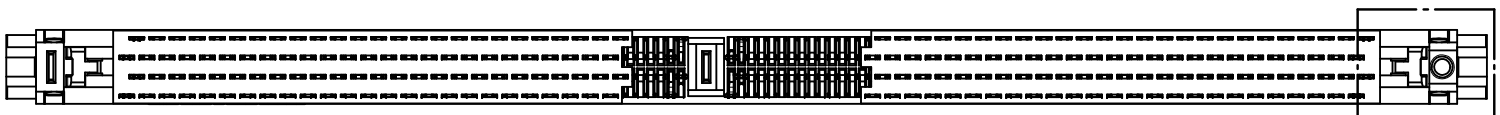
- NOTES:
- MATERIALS
HOUSING - HIGH TEMP. NYLON, GLASS-FILLED, UL 94V-0.
LATCH - HIGH TEMP. NYLON, GLASS-FILLED, UL 94V-0 - NATURAL
POLYSULFONE, UL 94HB - CLEAR
(COLOUR OF THE HOUSING AND LATCHES REFER TO TABLE ON SHEET 5 & 6).
TERMINAL - PHOSPHOR BRONZE
 - FINISHES - CONTACT AREA - SEE TABLE IN SHEET 5.
TAIL AREA - 15µIN(0.38µM) TO 60µIN(1.52µM) MIN.
TIN OVER 50µIN(1.27µM) MIN. NICKEL.
 - REFER TO PRODUCT SPEC. PS-87746-002 FOR PERFORMANCE SPECIFICATIONS.
 - PRODUCT SHALL BE PACKED IN TRAY.
 - CARD SLOT ACCEPTS 1.27±0.10 MM MODULE THICKNESS. (MEASURED OVER P.C. PADS)
 - RECOMMENDED MODULE LAYOUT SHALL BE AS PER JEDEC MO-237.
 - RECOMMENDED PLATING ON MODULE PADS: 30µIN(0.76µM) MIN. HARD GOLD OVER 79µIN(2µM) MIN. NICKEL.
 - DIMM MODULE SEATING PLANE FROM TOP OF PCB.
 - PART NUMBER SHALL BE MARKED LEGIBLY AS : 87746 XXXX
 - DATE CODE SHALL BE MARKED LEGIBLY AS YDDD
 - KEEP OUT CROSS HATCHED ARE RESERVED FOR SOCKET EJECTORS AT BOTH ENDS.
 - KEEP OUT ZONE IS HEIGHT LIMITED PER 11.



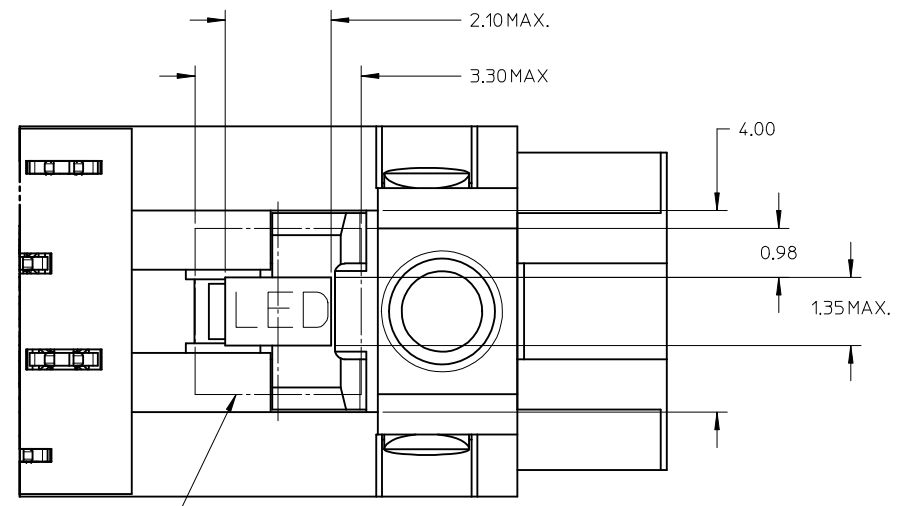
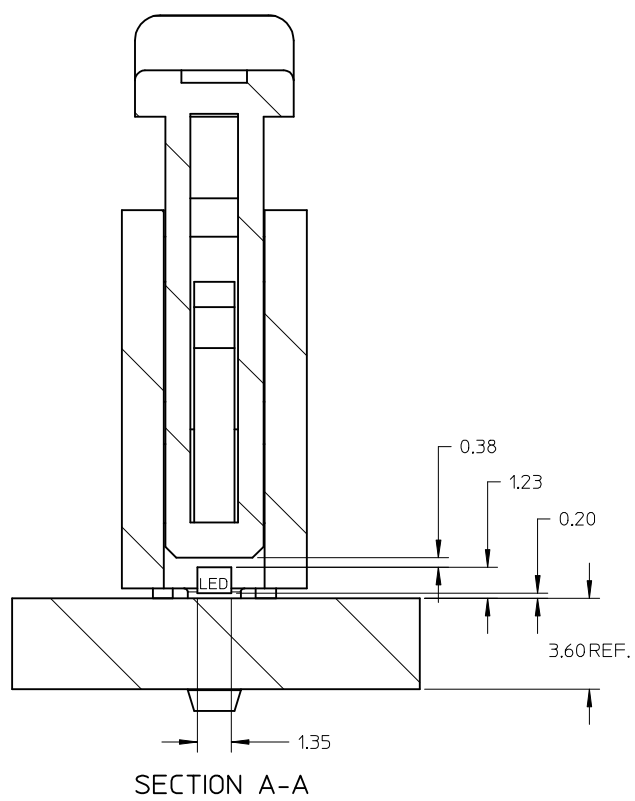
Detail5

| | | | | | | | | | | |
|--|-------------------------------|--|---------------|----------------------------|----------------------|---|---|------------------------|--|--|
| OBS DOC & P/N EC NO: S2014-0372 DRWN:SKANG CHKD:MLONG APPR:MLONG | QUALITY SYMBOLS ▽=0 ◻=0 | GENERAL TOLERANCES (UNLESS SPECIFIED) | | DIMENSION STYLE MM ONLY | | SCALE NTS | DESIGN UNITS METRIC | THIRD ANGLE PROJECTION | | |
| | | | mm | INCH | DRAWN BY CGOH | DATE 2002/06/13 | TITLE DDR2 DIMM, 100MM PITCH 240 CKTS, VERT. PRESSFIT | | | |
| | | 4 PLACES | ± --- | ± --- | CHECKED BY DSOH | DATE 2002/08/07 | MATERIAL NO. SD-87746-001 | | | |
| | | 3 PLACES | ± --- | ± --- | APPROVED BY SKTOH | DATE 2002/08/08 | DOCUMENT NO. SD-87746-001 | | | |
| | | | 2 PLACES | ± 0.20 | ± --- | SHEET NO. 1 OF 5 | | | | |
| | | | 1 PLACE | ± --- | ± --- | THIS DRAWING CONTAINS INFORMATION THAT IS PROPRIETARY TO MOLEX INCORPORATED AND SHOULD NOT BE USED WITHOUT WRITTEN PERMISSION | | | | |
| | | | ANGULAR ± 5 ° | | | | | | | |
| | | DRAFT WHERE APPLICABLE MUST REMAIN WITHIN DIMENSIONS | | | | | | | | |

10 9 8 7 6 5 4 3 2 1



Detail3



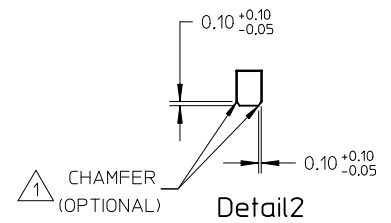
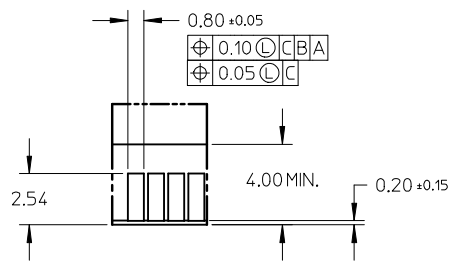
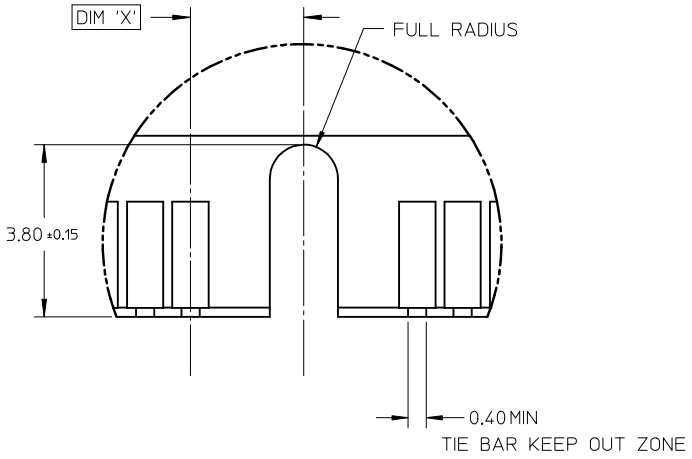
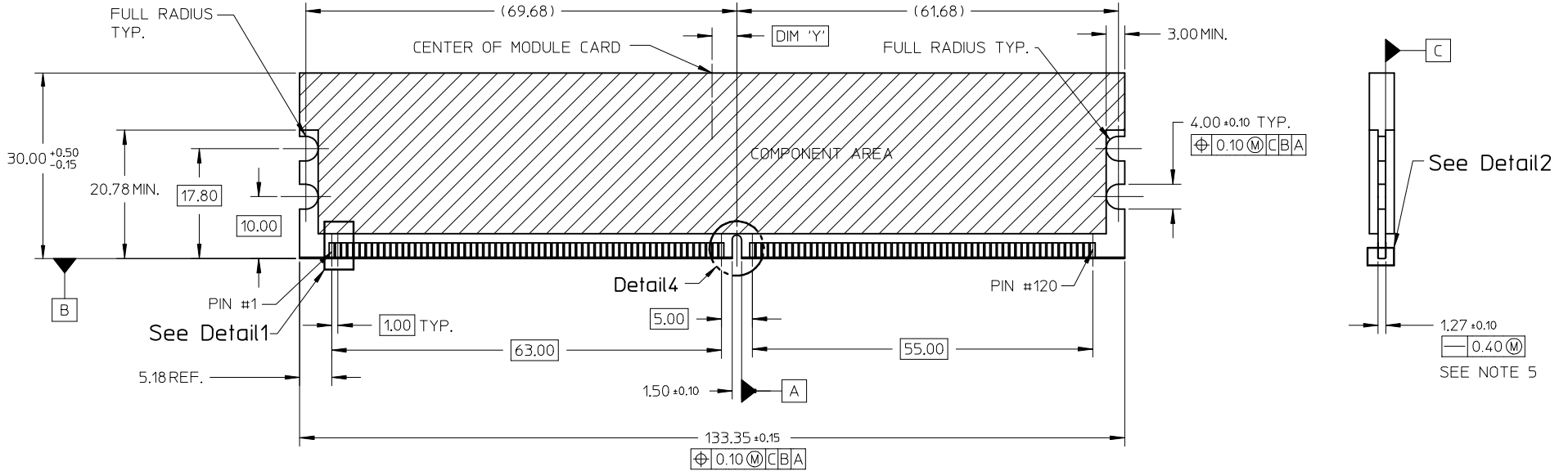
LED PLACEMENT AREA
Detail3

| | | | | | | | | | | |
|--|-------------------------------|---------------------------------------|-----------|---|---|--------------|--------------------------|------------------------|--|--|
| OBS DOC & P/N EC NO: S2014-0372 DRWN:SKANG 2014/01/07 CHKD:MLONG 2014/01/15 APPR:MLONG 2014/01/15 | QUALITY SYMBOLS ▽=0 ∇=0 | GENERAL TOLERANCES (UNLESS SPECIFIED) | | DIMENSION STYLE MM ONLY | | SCALE NTS | DESIGN UNITS METRIC | THIRD ANGLE PROJECTION | | |
| | | | mm | INCH | DRAWN BY | DATE | TITLE | | | |
| | | 4 PLACES | ± --- | ± --- | CGOH | 2002/06/13 | DDR2 DIMM, 100MM PITCH | | | |
| | | 3 PLACES | ± --- | ± --- | CHECKED BY | DATE | 240 CKTS, VERT. PRESSFIT | | | |
| | ± 0.20 | ± --- | DSOH | 2002/08/07 | APPROVED BY | | | | | |
| 1 PLACE | ± --- | ± --- | | | DATE | | | | | |
| | ANGULAR ± 5 ° | | SKTOH | 2002/08/08 | MATERIAL NO. | | | | | |
| DRAFT WHERE APPLICABLE MUST REMAIN WITHIN DIMENSIONS | | | SEE TABLE | | MOLEX INCORPORATED DOCUMENT NO. SD-87746-001 | | | | | |
| | | | SIZE | THIS DRAWING CONTAINS INFORMATION THAT IS PROPRIETARY TO MOLEX INCORPORATED AND SHOULD NOT BE USED WITHOUT WRITTEN PERMISSION | | | | SHEET NO. 2 OF 5 | | |

9 8 7 6 5 4 3 2 1

10 9 8 7 6 5 4 3 2 1

RECOMMENDED MODULE LAYOUT



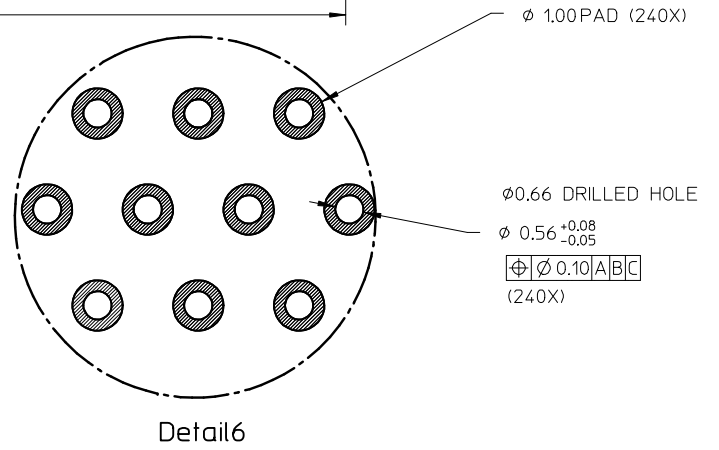
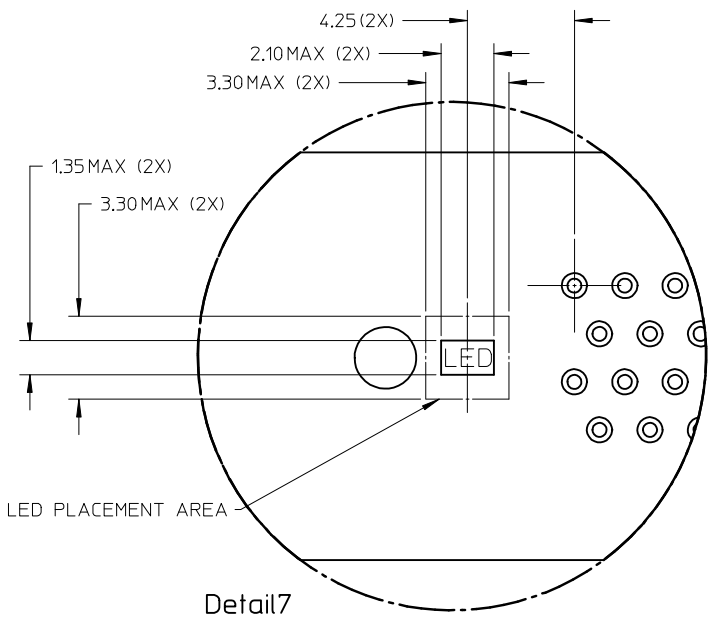
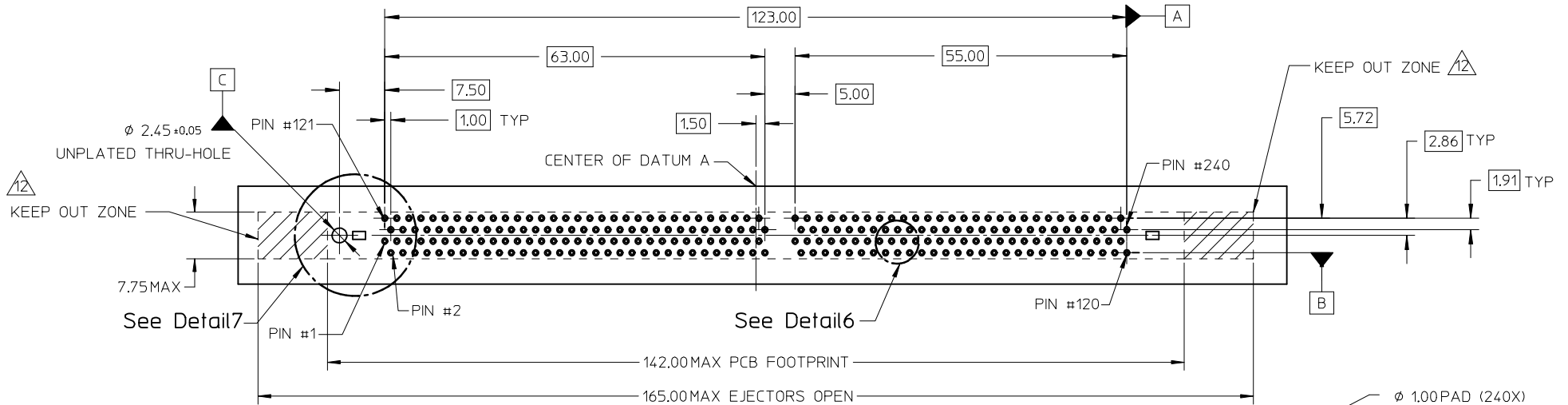
| KEY LOCATION | VOLTAGE | DIM 'X' | DIM 'Y' |
|--------------|---------|---------|---------|
| CENTER | 1.8V | 2.50 | 4.00 |

| | | | | | |
|--|--|---|--|---|--|
| OBS DOC & P/N EC NO: S2014-0372 DRWN:SKANG 2014/01/07 CHKD:MLONG 2014/01/15 APPR:MLONG 2014/01/15 | QUALITY SYMBOLS ▽=0 ◻=0 | GENERAL TOLERANCES (UNLESS SPECIFIED) mm INCH 4 PLACES ± --- ± --- 3 PLACES ± --- ± --- 2 PLACES ± 0.20 ± --- 1 PLACE ± --- ± --- ANGULAR ± 5 ° | DIMENSION STYLE MM ONLY DRAWN BY: CGOH DATE: 2002/06/13 CHECKED BY: DS0H DATE: 2002/08/07 APPROVED BY: SKTOH DATE: 2002/08/08 MATERIAL NO. | SCALE NTS DESIGN UNITS METRIC THIRD ANGLE PROJECTION | TITLE DDR2 DIMM, 100MM PITCH 240 CKTS, VERT. PRESSFIT |
| | DRAFT WHERE APPLICABLE MUST REMAIN WITHIN DIMENSIONS | SIZE A3 | THIS DRAWING CONTAINS INFORMATION THAT IS PROPRIETARY TO MOLEX INCORPORATED AND SHOULD NOT BE USED WITHOUT WRITTEN PERMISSION | MOLEX INCORPORATED DOCUMENT NO. SD-87746-001 SHEET NO. 3 OF 5 | |

NOTES :
 1 MODULE CARD USED IN PRODUCT TESTING ARE CHAMFERED.

9 8 7 6 5 4 3 2 1

RECOMMENDED PCB HOLE PATTERN
SEE TABLE IN SHEET 5 FOR
RECOMMENDED PCB THICKNESS



| | | | | | | | | | | |
|--|------------|-------------------------------|---------------------------------------|----------------------|--|--------------------|---|------------------------|------------------------|--|
| OBS DOC & P/N EC NO: S2014-0372 DRWN:SKANG CHKD:MLONG APPR:MLONG | 2014/01/07 | QUALITY SYMBOLS ▽=0 C=0 | GENERAL TOLERANCES (UNLESS SPECIFIED) | | DIMENSION STYLE MM ONLY | | SCALE NTS | DESIGN UNITS METRIC | THIRD ANGLE PROJECTION | |
| | 2014/01/15 | | mm | INCH | DRAWN BY CGOH | DATE 2002/06/13 | TITLE DDR2 DIMM, 100MM PITCH 240 CKTS, VERT. PRESSFIT | | | |
| | 2014/01/15 | | 4 PLACES ± --- ± --- | 3 PLACES ± --- ± --- | CHECKED BY DSOH | DATE 2002/08/07 | MATERIAL NO. SKTOH 2002/08/08 | | | |
| | 2014/01/15 | | 2 PLACES ± 0.20 ± --- | 1 PLACE ± --- ± --- | APPROVED BY SKTOH | DATE 2002/08/08 | DOCUMENT NO. SD-87746-001 | | | |
| REV | | | ANGULAR ± 5 ° | | SEE TABLE | | MOLEX INCORPORATED | | SHEET NO. 4 OF 5 | |
| DRAFT WHERE APPLICABLE MUST REMAIN WITHIN DIMENSIONS | | | SIZE A3 | | THIS DRAWING CONTAINS INFORMATION THAT IS PROPRIETARY TO MOLEX INCORPORATED AND SHOULD NOT BE USED WITHOUT WRITTEN PERMISSION | | | | | |

| PART NO. | VOLTAGE KEY POS. | VOLTAGE KEY TEXT | TAIL LENGTH P±0.20 | RECOMMENDED PCB THICKNESS | LUBRICATION | PLATING OPTION | LATCH COLOR | HOUSING COLOR |
|------------|------------------|------------------|--------------------|---------------------------|-------------|---|------------------------|---------------|
| 87746-8001 | CENTER | 1.8V | 4.20 | 4.57 | NO | SELECTIVE GOLD 0.38µM/ 15µIN MIN. GOLD OVER 1.27µM/ 50µIN MIN. NICKEL | NATURAL (OFF WHITE) | BLACK |
| 87746-9001 | | | 3.30 | 3.60 | | | | |
| 87746-9011 | CENTER | 1.8V | 3.30 | 3.60 | NO | SELECTIVE GOLD 0.76µM/ 30µIN MIN. GOLD OVER 1.27µM/ 50µIN MIN. NICKEL | CLEAR | |
| 87746-8091 | CENTER | 1.8V | 4.20 | 4.57 | YES | | | |
| 87746-9091 | | | 3.30 | 3.60 | | | | |
| 87746-5201 | CENTER | 1.8V | 4.20 | 4.57 | NO | SELECTIVE GOLD 0.38µM/ 15µIN MIN. GOLD OVER 1.27µM/ 50µIN MIN. NICKEL | CLEAR | |
| 87746-5301 | | | 3.30 | 3.60 | | | | |
| 87746-5211 | CENTER | 1.8V | 4.20 | 4.57 | NO | SELECTIVE GOLD 0.76µM/ 30µIN MIN. GOLD OVER 1.27µM/ 50µIN MIN. NICKEL | CLEAR | |
| 87746-5311 | | | 3.30 | 3.60 | | | | |
| 87746-5291 | CENTER | 1.8V | 4.20 | 4.57 | YES | SELECTIVE GOLD 0.76µM/ 30µIN MIN. GOLD OVER 1.27µM/ 50µIN MIN. NICKEL | CLEAR | |
| 87746-5391 | | | 3.30 | 3.60 | | | | |
| 87746-5381 | | | 3.30 | 3.60 | | | | |

| | | | | | | |
|---|-----------------------|--|---|--|--------------|------------------------|
| OBS DOC & P/N EC NO: S2014-0372 DRWN:SKANG 2014/01/07 CHKD:MLONG 2014/01/15 APPR:MLONG 2014/01/15 | QUALITY SYMBOLS | GENERAL TOLERANCES (UNLESS SPECIFIED) | DIMENSION STYLE | SCALE | DESIGN UNITS | THIRD ANGLE PROJECTION |
| | ▽=0 ◻=0 | mm INCH | MM ONLY | NTS | METRIC | |
| | | 4 PLACES ± --- ± --- | DRAWN BY DATE | TITLE | | |
| | | 3 PLACES ± --- ± --- | CGOH 2002/06/13 | DDR2 DIMM, 100MM PITCH 240 CKTS, VERT. PRESSFIT | | |
| | 2 PLACES ± 0.20 ± --- | CHECKED BY DATE | MOLEX INCORPORATED | | | |
| | 1 PLACE ± --- ± --- | DSOH 2002/08/07 | DOCUMENT NO. | | | |
| | ANGULAR ± 5 ° | APPROVED BY DATE | SD-87746-001 | | | |
| | | SKTOH 2002/08/08 | SHEET NO. | | | |
| | | MATERIAL NO. | 5 OF 5 | | | |
| | | SEE TABLE | THIS DRAWING CONTAINS INFORMATION THAT IS PROPRIETARY TO MOLEX INCORPORATED AND SHOULD NOT BE USED WITHOUT WRITTEN PERMISSION | | | |
| | | DRAFT WHERE APPLICABLE MUST REMAIN WITHIN DIMENSIONS | | | | |