

**PLEASE CHECK WWW.MOLEX.COM FOR LATEST PART INFORMATION**

**Part Number:** [0877822001](#)

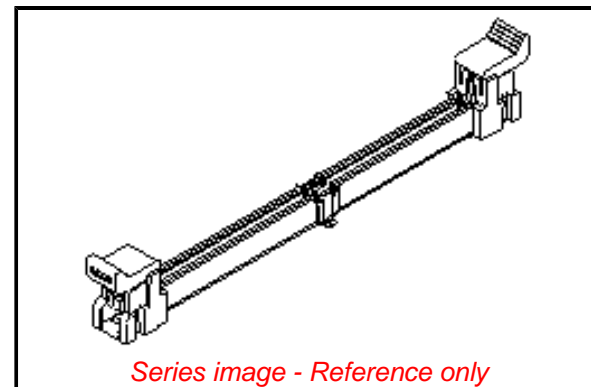
**Status:** **Active**

**Overview:** MiniDIMM Sockets

**Description:** 0.60mm Pitch miniDIMM DDR2, Socket, Surface Mount, Vertical, 1.8V Voltage Key, 244 Circuits, 0.76µm Gold (Au) Plating, Off-White Latches, without Pick-and-Place Cap, Type A Tray, Lead-Free

**Documents:**

<a href="#">3D Model</a>	<a href="#">Application Specification AS-87782-001-001 (PDF)</a>
<a href="#">Drawing (PDF)</a>	<a href="#">Packaging Specification PK-87782-004 (PDF)</a>
<a href="#">Product Specification PS-87782-027-001 (PDF)</a>	<a href="#">RoHS Certificate of Compliance (PDF)</a>



*Series image - Reference only*

**Agency Certification**

CSA	LR19980
UL	E29179

**General**

Product Family	Memory Module Sockets
Series	<a href="#">87782</a>
Component Type	Socket
JEDEC Outline	MO-244
Overview	<a href="#">MiniDIMM Sockets</a>
Product Name	MiniDIMM
UPC	822348683871

**Physical**

Circuits (Loaded)	244
Circuits (maximum)	244
Durability (mating cycles max)	25
Entry Angle	Vertical (Top Entry)
Flammability	94V-0
Housing Color	Black
Keying to Mating Part	Yes
Latch Color	Natural (Off-White)
Material - Metal	Copper Alloy
Material - Plating Mating	Gold
Material - Plating Termination	Tin
Material - Resin	High Temperature Thermoplastic
Net Weight	5.945/g
PCB Locator	Yes
PCB Retention	Yes
Packaging Type	Tray
Pitch - Mating Interface	0.60mm
Pitch - Termination Interface	0.60mm
Plating min - Mating	0.762µm
Plating min - Termination	2.540µm
Temperature Range - Operating	-55° to +85°C
Termination Interface: Style	Surface Mount

**Electrical**

Current - Maximum per Contact	1.0A
Voltage - Maximum	30V (RMS)
Voltage Key	1.8V

**Solder Process Data**

Duration at Max. Process Temperature (seconds)	005
Lead-free Process Capability	SMC&WAVE
Max. Cycles at Max. Process Temperature	002

**EU ELV**

**Not Relevant**

**EU RoHS**

**Compliant**

**REACH SVHC**

Not Contained Per -  
ECHA\_01\_2020 (16  
January 2020

**Halogen-Free**

**Status**

**Not Low-Halogen**

For more information, please visit [Contact US](#)

China ROHS	Green Image
ELV	Not Relevant
RoHS Phthalates	Not Contained

**Search Parts in this Series**

[87782 Series](#)

**Mates With**

JEDEC MO-244 Modules

Process Temperature max. C

260

**Material Info**

**Reference - Drawing Numbers**

Application Specification  
Electrical Model Document

AS-87782-001-001  
EE-87782-001, EE-87782-002, EE-87782-003,  
EE-87782-007

Packaging Specification

PK-87782-004

Product Specification

PS-87782-027-001

S-Parameter Model

SP-87782-001, SP-87782-007

Sales Drawing

SD-87782-001

This document was generated on 05/19/2020

**PLEASE CHECK [WWW.MOLEX.COM](http://WWW.MOLEX.COM) FOR LATEST PART INFORMATION**