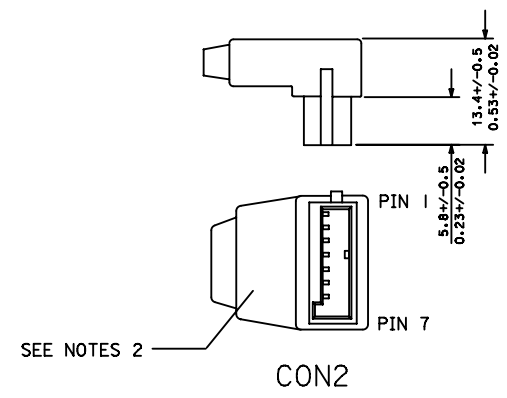


NOTE:
PHYSICAL
 1. INNER MOLD WITH PE RESIN 887800008;
 OUTER MOLD WITH BLACK PVC RESIN 887800019.
 2. INNER MOLD WITH PE RESIN 887800008;
 OUTER MOLD WITH BLACK PVC RESIN 887800042.
ELECTRICAL PERFORMANCE:
 3. DIELECTRONIC STRENGTH:500V DC
 4. INSULATION RESISTANCE:100M OHMS Min.
 5. CONDUCTIVE RESISTOR: 2 OHMS Max.

WIRE CHART

PIN 7	PIN 7
PIN 4	PIN 4
PIN 1	PIN 1
PIN 6	PIN 6
PIN 5	PIN 5
PIN 3	PIN 3
PIN 2	PIN 2
CON1	CON2



887625400	500mm	20 INCH
MOLEX P/N	LENGTH	LENGTH

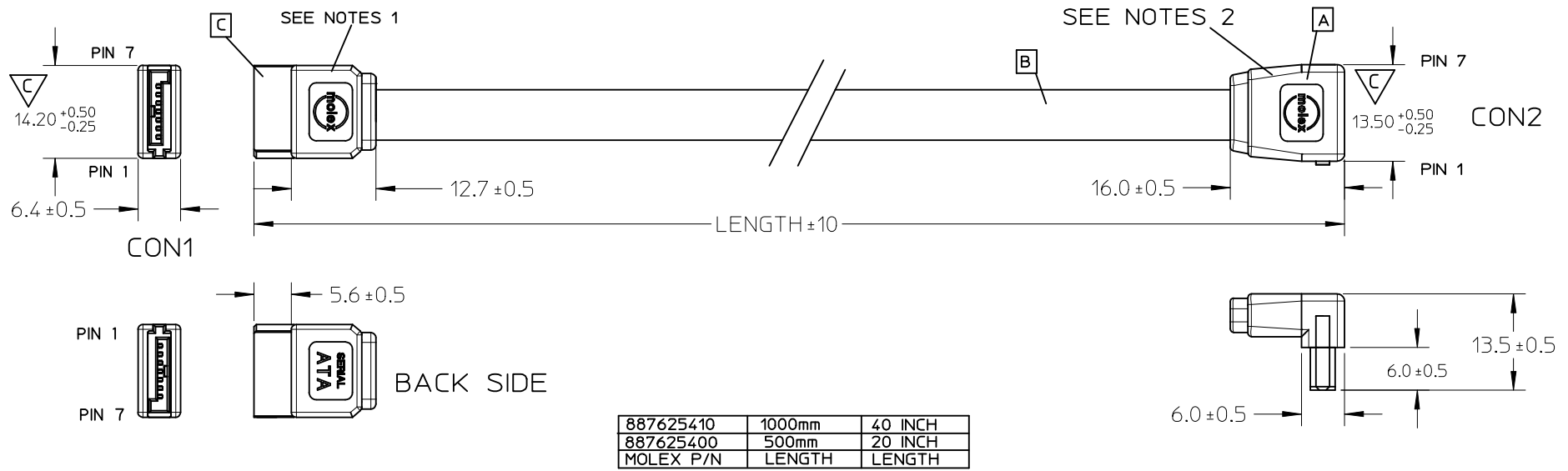
C	S-ATA STRAIGHT CONN. 675380001		1
B	2PX26AWG S-ATA CABLE RED 887808052	N/A	1
A	S-ATA R/A CONN. 887899745		1
ITEM	DESCRIPTION	L	QTY.

THIS DRAWING CONTAINS INFORMATION THAT IS PROPRIETARY TO MOLEX ELECTRONIC TECHNOLOGIES, LLC AND SHOULD NOT BE USED WITHOUT WRITTEN PERMISSION

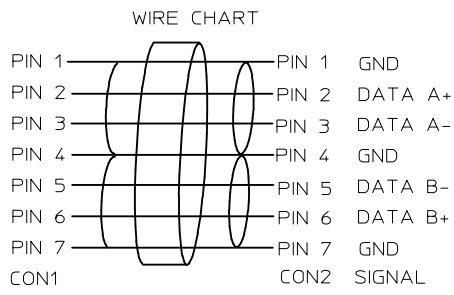
DIMENSION UNITS	SCALE	CURRENT REV	DESC: OBSOLETE PART NUMBER					
mm	NTS	NUMBER						
GENERAL TOLERANCES (UNLESS SPECIFIED)				EC NO: 632260 DRWN: AKUMAR19 2020/02/10 CHK'D: GGA 2020/02/28 APPR: GGA 2020/02/28 INITIAL REVISION: DRWN: LOUID CHEN 2003/11/24 APPR: STEPHER GUO 2003/11/24				
	MM	INCH						
4 PLACES	±	±						
3 PLACES	±	±						
2 PLACES	±	±						
1 PLACE	±	±		PRODUCT CUSTOMER DRAWING				
0 PLACES	±	±		DOCUMENT NUMBER		DOC TYPE	DOC PART	REVISION
ANGULAR TOL ± °				SD-88755-009		PSD	001	B
DRAFT WHERE APPLICABLE MUST REMAIN WITHIN DIMENSIONS		THIRD ANGLE PROJECTION	DRAWING	SERIES	MATERIAL NUMBER	CUSTOMER		SHEET NUMBER
			A4-SIZE	88755	SEE TABLE	GENERAL MARKET		1 OF 1

DOCUMENT STATUS	P1	RELEASE DATE	2020/02/28	02:39:20
-----------------	----	--------------	------------	----------

REVISION				
EC NO.	DATE	REV.	DESCRIPTION	CHANGER
CY15-5216	2016/01/19	K	CHANGE CABLE	FZHANG01



- NOTE:
- INNER MOLD WITH PE RESIN
OUTER MOLD WITH BLACK PVC RESIN.
 - INNER MOLD WITH PE RESIN;
OUTER MOLD WITH BLACK PVC RESIN
 - DIELECTRONIC STRENGTH:500V DC
 - INSULATION RESISTANCE:100M OHMS Min.
 - CONDUCTIVE RESISTOR: 2 OHMS Max.
 - THIS PRODUCT MUST MEET EU CHEMICAL SUBSTANCE SPECIFICATION FOR PRODUCTS.(EU 2002/95/EC)
 - CABLE CAN WITHSTAND 250 CYCLES BENDING TEST, REFER EIA 364-41 CONDITION II.
 - CABLE CAN WITHSTAND 40N LOAD PULL FORCE FOR 1MINUTE, REFER EIA 364-38A



ITEM	DESCRIPTION	QTY.
C	S-ATA STRAIGHT CONN.	1
B	2PX26AWG,SHLD,PVC,RD,2.2X7.6MM,SATA 1.0	1
A	S-ATA R/A CONN.	1

ENTER DESCRIPTION EC NO: CPG2016-2908 DRW/NX/JGU001 2016/01/27 CHKD:FZHANG01 2016/01/27 APPR:FNIE 2016/01/28	QUALITY SYMBOLS 	GENERAL TOLERANCES (UNLESS SPECIFIED)		DIMENSION STYLE MM ONLY		SCALE	DESIGN UNITS METRIC	THIRD ANGLE PROJECTION		
		4 PLACES	±---	±---	DRAWN BY JL1U13	DATE 2005/03/24	TITLE S-ATA STRAIGHT TO RIGHT ANGEL SIGNAL RED CABLE, 0.5M, 1M			
		3 PLACES	±---	±---	CHECKED BY TEDDY	DATE 2005/03/24	MOLEX INCORPORATED			
		2 PLACES	±---	±---	APPROVED BY BORON	DATE 2005/03/24	MATERIAL NO. 887625400	DOCUMENT NO. SD-88762-5400	SHEET NO. 1 OF 1	
1 PLACE	±---	±---	ANGULAR ±----°		SIZE 		THIS DRAWING CONTAINS INFORMATION THAT IS PROPRIETARY TO MOLEX INCORPORATED AND SHOULD NOT BE USED WITHOUT WRITTEN PERMISSION			
DRAFT WHERE APPLICABLE MUST REMAIN WITHIN DIMENSIONS		DRAFT WHERE APPLICABLE MUST REMAIN WITHIN DIMENSIONS								

6

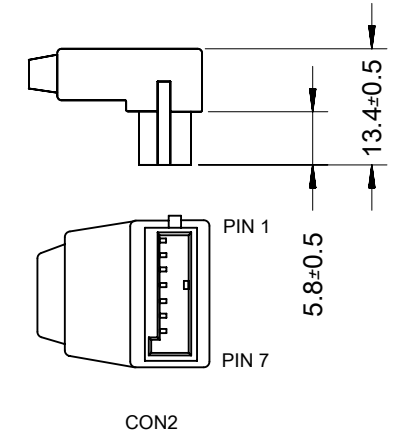
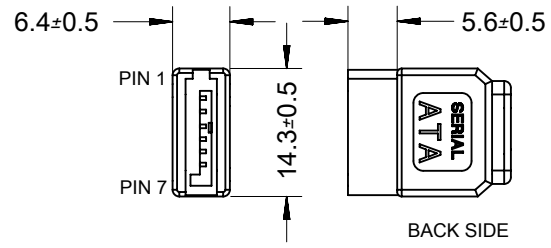
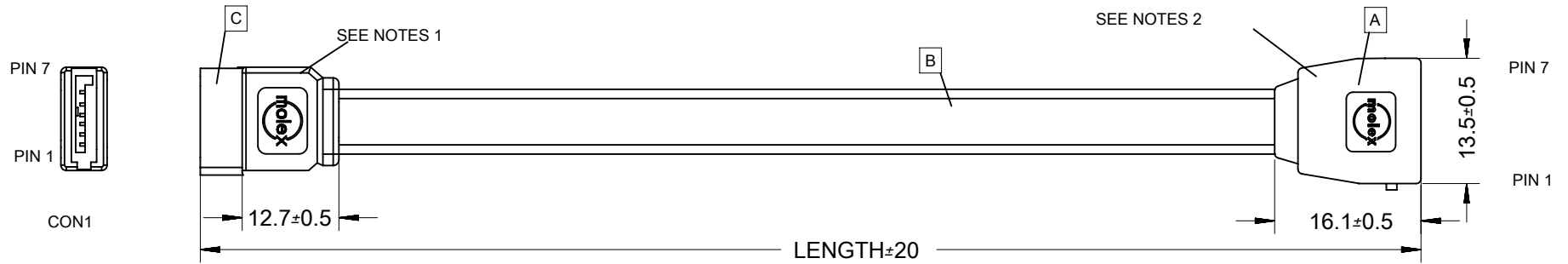
5

4

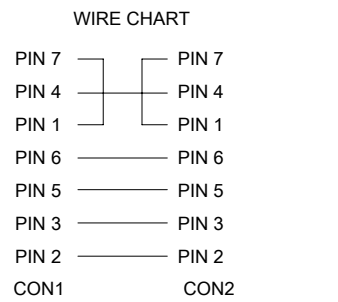
3

2

1



- NOTE:
- PHYSICAL
- INNER MOLD WITH PE RESIN 887800008;
OUTER MOLD WITH BLACK PVC RESIN 887800019.
 - INNER MOLD WITH PE RESIN 887800008;
OUTER MOLD WITH BLACK PVC RESIN 887800042.
- ELECTRICAL PERFORMANCE:
- DIELECTRONIC STRENGTH:500V DC
 - INSULATION RESISTANCE:100M OHMS Min.
 - CONDUCTIVE RESISTOR: 2 OHMS Max.



887625400	500mm	20 INCH
MOLEX P/N	LENGTH	LENGTH

C	S-ATA STRAIGHT CONN. 674898002	1
B	2PX26AWG S-ATA CABLE RED 887808052	1
A	S-ATA R/A CONN. 887899745	1
ITEM	DESCRIPTION	QTY.

THIS DRAWING CONTAINS INFORMATION THAT IS PROPRIETARY TO MOLEX ELECTRONIC TECHNOLOGIES, LLC AND SHOULD NOT BE USED WITHOUT WRITTEN PERMISSION

DIMENSION UNITS	SCALE	CURRENT REV DESC: OBSOLETE PART NUMBER					
mm	NTS						
GENERAL TOLERANCES (UNLESS SPECIFIED)		EC NO: 632260		S-ATA ST TO R/A RED 1.0M CABLE ASS'Y			
	MM	INCH					
4 PLACES	±	±	DRWN: AKUMAR19	2020/02/10		PRODUCT CUSTOMER DRAWING	
3 PLACES	±	±	CHK'D: GGA	2020/02/28			
2 PLACES	±	±	APPR: GGA	2020/02/28			
1 PLACE	±	±	INITIAL REVISION:		DOCUMENT NUMBER		
0 PLACES	±	±	DRWN: JLIU13	2005/03/34			
ANGULAR TOL		± °	APPR: BORON	2005/03/24	SD-88762-5410		
DRAFT WHERE APPLICABLE MUST REMAIN WITHIN DIMENSIONS		THIRD ANGLE PROJECTION	DRAWING	SERIES	MATERIAL NUMBER	CUSTOMER	SHEET NUMBER
			A4-SIZE	88762	SEE TABLE	GENERAL MARKET	1 OF 1

DOCUMENT STATUS	P1	RELEASE DATE	2020/02/28	02:39:21
-----------------	----	--------------	------------	----------