

MATERIALS AND FINISHES:

SMA JACK STR IP68  
BODY: CRIMP TUBE BRASS  
PLATED GOLD

GASKET SILICONE RUBBER

SHRINK TUBE: VERSAFIT OR EQUIVALENT

CENTER CONTACT: BERYLLIUM COPPER  
PLATED GOLD SEE TABLE

BODY: PHOSPHOR BRONZE  
PLATED GOLD

CABLE: DIA 1.37 OR EQUIVALENT

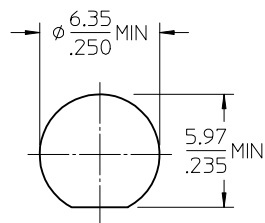
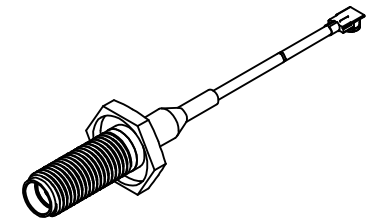
INSULATOR: TEFLON

CENTER CONTACT: PHOSPHOR BRONZE  
PLATED GOLD

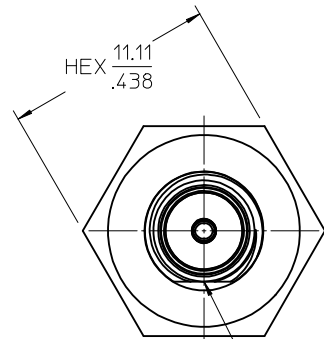
JAM NUT BRASS  
PLTED GOLD

HOUSING: PBT

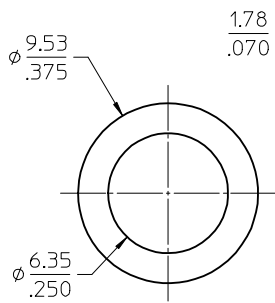
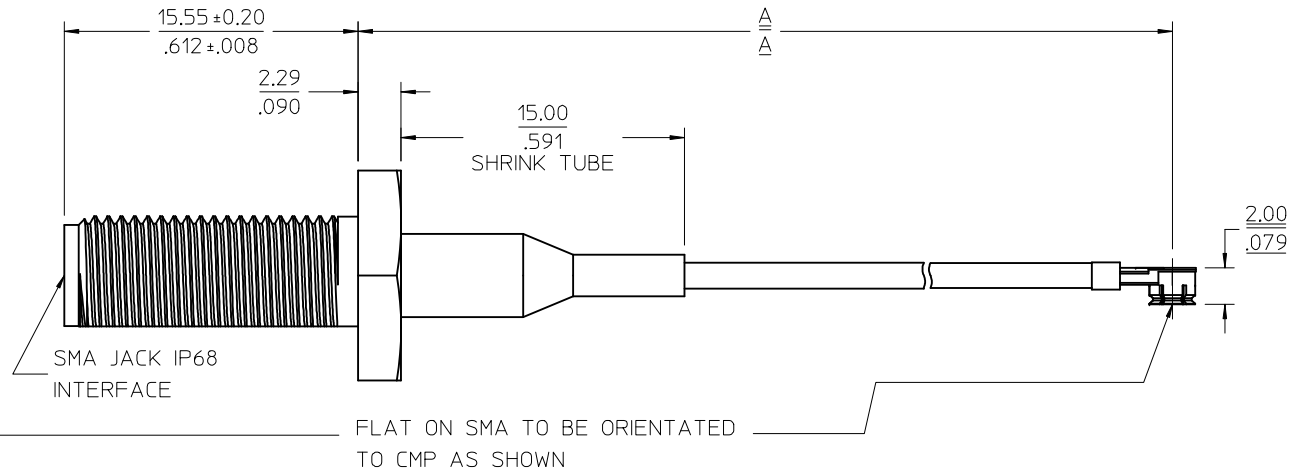
LOCK WASHER: SEE TABLE  
PLATED GOLD



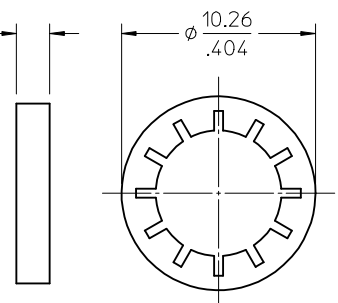
RECOMMENDED  
PANEL LAYOUT



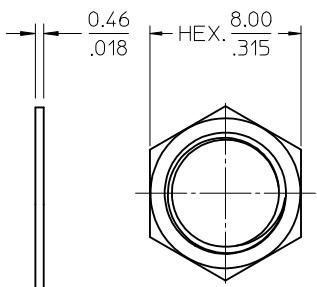
GASKET



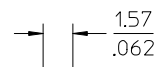
GASKET



LOCK WASHER



JAM NUT



89761-5372	GOLD FLASH	SPCC
89761-5371	10 MICROINCHES MIN	PHOSPHOR BRONZE
89761-5370	10 MICROINCHES MIN	PHOSPHOR BRONZE
PART NO.	CENTER CONTACT	LOCK WASHER

89761-5372	3.543±.079	90.00±2.00	POLYBAG
89761-5371	7.874±.197	200.00±5.00	POLYBAG
89761-5370	3.543±.079	90.00±2.00	POLYBAG
PART NO.	IN	MM	PACKAGING
DIM	A		
MIL-STD-348A, FIG. 310.2		SMA JACK INTERFACE	
SPECIFICATION		DESCRIPTION	

CHG: TYPO MXT PN PER RF15-E393	EC NO: URF2016-0391	DRWN: CWE102	CHKD: 2015/10/01	APPR: YCHENG	2015/11/25
DESCRIPTION	QUALITY SYMBOLS				
REV	$\nabla = 0$ $\nabla = 0$ $\nabla = 0$				

GENERAL TOLERANCES (UNLESS SPECIFIED)	
mm	INCH
4 PLACES ± ---	± ---
3 PLACES ± ---	± ---
2 PLACES ± ---	± ---
1 PLACE ± ---	± ---
0 PLACE ±	±
ANGULAR ± 2 °	
DRAFT WHERE APPLICABLE MUST REMAIN WITHIN DIMENSIONS	

DIMENSION STYLE	
MM/IN	
DRAWN BY	DATE
CWE102	2010/08/27
CHECKED BY	DATE
KERRIE	2010/08/27
APPROVED BY	DATE
MHUANG	2010/09/18
MATERIAL NO.	
SEE TABLE	

SCALE	DESIGN UNITS	THIRD ANGLE PROJECTION
	METRIC	
TITLE		
CA, SMA JACK BLKHD IP68 TO CMP WITH 1.37MM CABLE CA-SMA_J/CMP_P		
molex		
DOCUMENT NO.	SHEET NO.	
SD-89761-537	1 OF 1	
THIS DRAWING CONTAINS INFORMATION THAT IS PROPRIETARY TO MOLEX INCORPORATED AND SHOULD NOT BE USED WITHOUT WRITTEN PERMISSION		