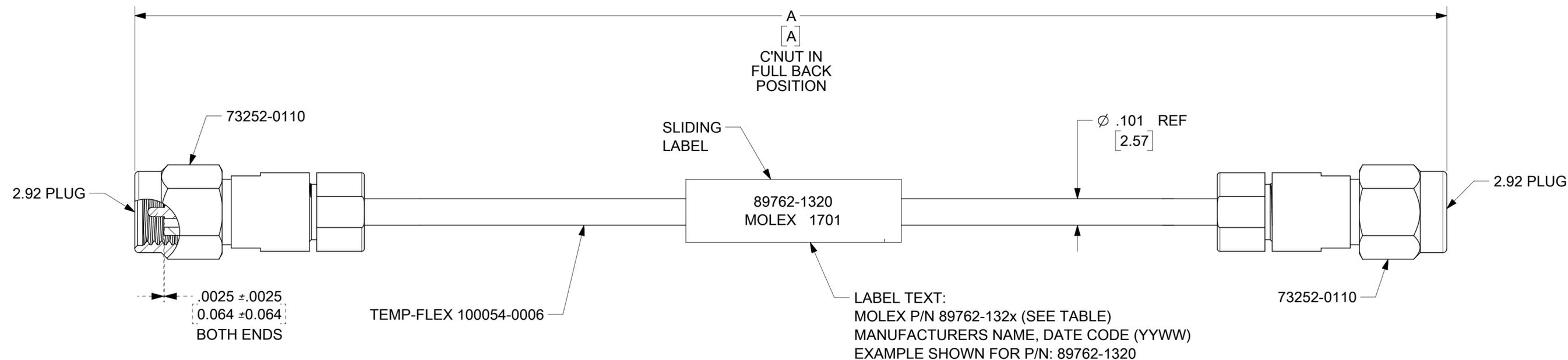
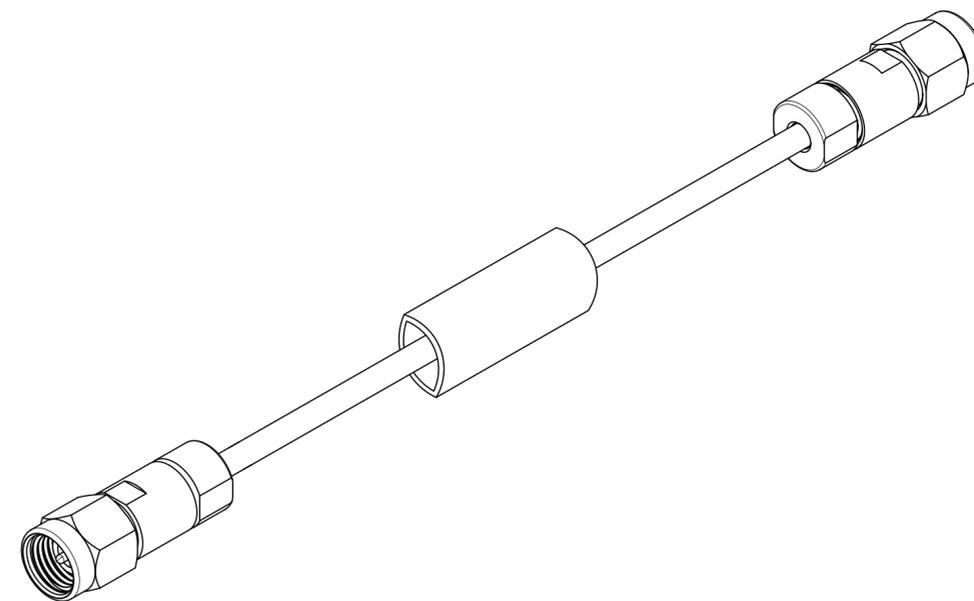


MATERIALS AND FINISHES:

2.92 PLUG: SEE SD-73252-011

CABLE: TEMP-FLEX AIR CORE 100054-0006

LABEL: POLYOLEFIN
COLOR: WHITE



VSWR 1.50 MAX TO 35 GHz

89762-1325	120.0	3048	16.0
89762-1324	18.00	457.2	2.4
89762-1323	15.00	381.0	2.0
89762-1322	12.00	304.8	1.6
89762-1321	9.00	228.6	1.2
89762-1320	6.00	152.4	0.9
PART NO.	IN	MM	INSERTION LOSS MAX TO 35 GHz (dB)
	DIM A (REF)		

THIS DRAWING CONTAINS INFORMATION THAT IS PROPRIETARY TO MOLEX ELECTRONIC TECHNOLOGIES, LLC AND SHOULD NOT BE USED WITHOUT WRITTEN PERMISSION

QUALITY SYMBOLS ▽ = 0 ▽ = 0 ▽ = 0 ▽ = 0 ▽ = 0 ▽ = 0 ▽ = 0 ▽ = 0	EC NO: 169595 DRWN: LMEIER CHKD: SSSHAH REV / APPR: AROBERTSON	GENERAL TOLERANCES (UNLESS SPECIFIED)	DIMENSION UNITS INCH	SCALE	
		4 PLACES ± ± 3 PLACES ± ± 0.01 2 PLACES ± 0.25 ± 1 PLACES ± ± 0 PLACES ± ±	DRWN BY BOMALLEY	DATE 2015/07/21	
		ANGULAR TOL ±	CHK'D BY BBHARADWAJD	DATE 2017/02/10	
		DRAFT WHERE APPLICABLE MUST REMAIN WITHIN DIMENSIONS	APPR BY AROBERTSON	DATE 2015/07/21	
DRAFT WHERE APPLICABLE MUST REMAIN WITHIN DIMENSIONS		DRAWING SIZE C	THIRD ANGLE PROJECTION	PRODUCT CUSTOMER DRAWING	
A7		89762	SEE TABLE	CUSTOMER	
RELEASE STATUS P1 RELEASE DATE 21.12.2017 20:27:38		DOCUMENT NUMBER SD-89762-132	DOC TYPE PSD	DOC PART 000	SHEET NUMBER 1 OF 1

MIL-STD-348B, FIG. 323.1	INTERFACE
SPECIFICATION	DESCRIPTION