

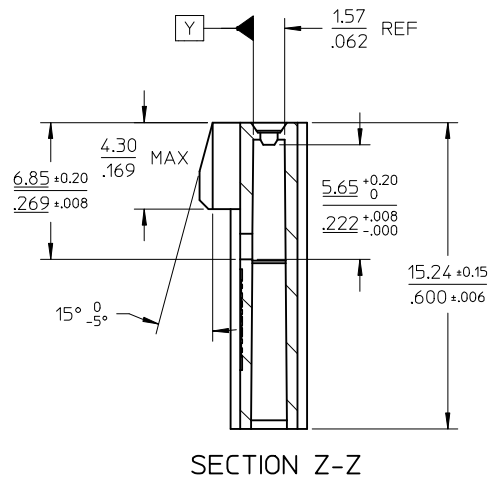
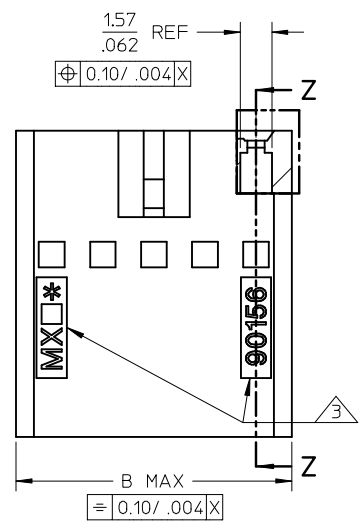
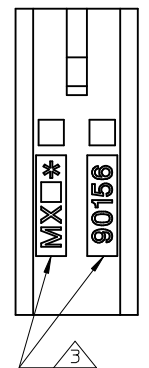
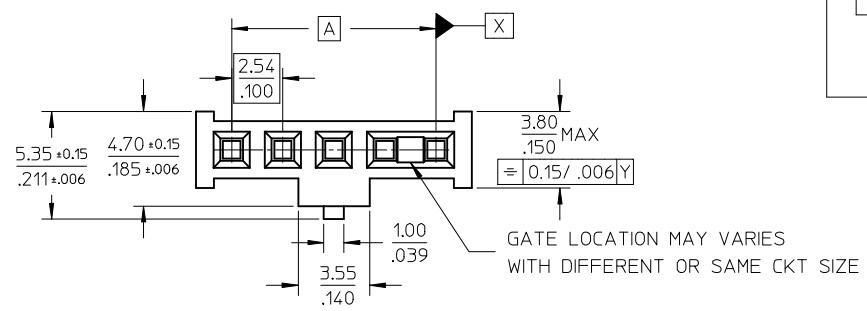
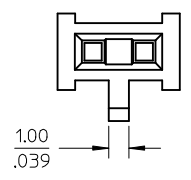
10 9 8 7 6 5 4 3 2 1

2 & 3  
CIRCUITS

4 TO 32  
CIRCUITS

PART NUMBER:  
90156-XXXX

CIRCUIT SIZE  
REF. NO  
(SEE CHART)  
MATERIAL CODE :  
SEE NOTE 1



No. OF CKTS	PART NUMBER	DIM A	DIM B
2	90156-XX42	( 2.54 ) / .100	( 6.14 ) / .342
3	-XX43	( 5.08 ) / .200	( 8.68 ) / .342
4	-XX44	( 7.62 ) / .300	( 11.22 ) / .442
5	-XX45	( 10.16 ) / .400	( 13.76 ) / .542
6	-XX46	( 12.70 ) / .500	( 16.30 ) / .642
7	-XX47	( 15.24 ) / .600	( 18.84 ) / .742
8	-XX48	( 17.78 ) / .700	( 21.38 ) / .842
9	-XX49	( 20.32 ) / .800	( 23.92 ) / .942
10	-XX50	( 22.86 ) / .900	( 26.46 ) / 1.042
11			
12	-XX52	( 27.94 ) / 1.100	( 31.54 ) / 1.242
13	-XX53	( 30.48 ) / 1.200	( 34.08 ) / 1.342
14	-XX54	( 33.02 ) / 1.300	( 36.62 ) / 1.442
15	-XX55	( 35.56 ) / 1.400	( 39.16 ) / 1.542
16	-XX56	( 38.10 ) / 1.500	( 41.70 ) / 1.642
17			
18	-XX58	( 43.18 ) / 1.700	( 46.78 ) / 1.842
19			
20	-XX60	( 48.26 ) / 1.900	( 51.86 ) / 2.042
21			
22	-XX62	( 53.34 ) / 2.100	( 56.94 ) / 2.242
23			
24			
25	-XX65	( 60.96 ) / 2.400	( 64.56 ) / 2.542
26			
27			
28			
29			
30	-XX70	( 73.66 ) / 2.900	( 77.26 ) / 3.042
31			
32	90156-XX72	( 78.74 ) / 3.100	( 82.34 ) / 3.242

- NOTES:
- MATERIAL CODE XX: 90156 - XX \*\* :  
01 - POLYPHENYLENE OXIDE (PPO) UL94 V-1 COLOR: BLACK  
10 - GLOW WIRE OPTION POLYESTER (PBT) UL94 V-2 COLOR: NATURAL
  - PRODUCT SPECIFICATION: PS-99020-0001
  - MOLEX LOGO, SERIES NUMBER AND CAVITY ID TO BE PLACED ON THIS FACE.

+ MX LOGO & SERIES	EC NO: S2017-0535	2017/04/10	2017/04/10	2017/04/26
	DRWN:CGOH	2017/04/10	2017/04/21	
	CHKD:FCSS00			
	APPR:KHLIM			
REV	Q4			

QUALITY SYMBOLS	F <sub>A</sub> =0	F <sub>C</sub> =0	F <sub>P</sub> =0
	GENERAL TOLERANCES (UNLESS SPECIFIED)		
DRAFT WHERE APPLICABLE MUST REMAIN WITHIN DIMENSIONS	4 PLACES	± ---	± ---
	3 PLACES	± ---	± .004
ANGULAR ± 2°	2 PLACES	± 0.20	± ---
	1 PLACE	± ---	± ---
DRAFT WHERE APPLICABLE MUST REMAIN WITHIN DIMENSIONS	0 PLACE	± ---	± ---
	DRAFT WHERE APPLICABLE MUST REMAIN WITHIN DIMENSIONS		

DIMENSION STYLE		SCALE	DESIGN UNITS	THIRD ANGLE PROJECTION
MM/IN		NTS	METRIC	
DRAWN BY	DATE	TITLE		
GMC SWEEN	2004/05/07	C GRID III SINGLE ROW CRIMP CONNECTOR HOUSING		
CHECKED BY	DATE	DOCUMENT NO.		
JDENNEHY	2004/05/13	SDA-90156		
APPROVED BY	DATE	SHEET NO.		
KHLIM	2015/11/05	1 OF 1		
MATERIAL NO.	THIS DRAWING CONTAINS INFORMATION THAT IS PROPRIETARY TO MOLEX INCORPORATED AND SHOULD NOT BE USED WITHOUT WRITTEN PERMISSION			
SEE TABLE				

DIMENSION STYLE		SCALE	DESIGN UNITS	THIRD ANGLE PROJECTION
MM/IN		NTS	METRIC	
DRAWN BY	DATE	TITLE		
GMC SWEEN	2004/05/07	C GRID III SINGLE ROW CRIMP CONNECTOR HOUSING		
CHECKED BY	DATE	DOCUMENT NO.		
JDENNEHY	2004/05/13	SDA-90156		
APPROVED BY	DATE	SHEET NO.		
KHLIM	2015/11/05	1 OF 1		
MATERIAL NO.	THIS DRAWING CONTAINS INFORMATION THAT IS PROPRIETARY TO MOLEX INCORPORATED AND SHOULD NOT BE USED WITHOUT WRITTEN PERMISSION			
SEE TABLE				

9 8 7 6 5 4 3 2 1

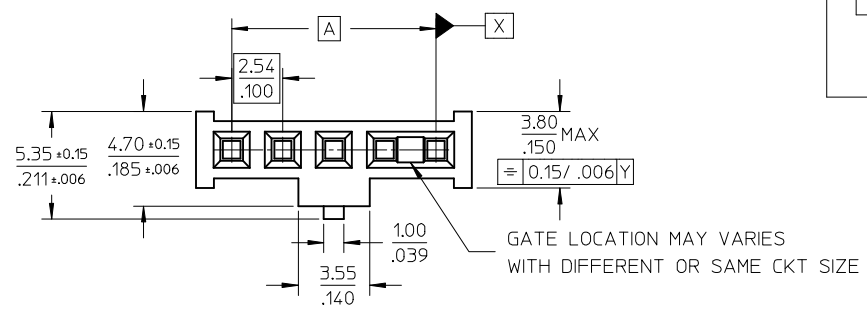
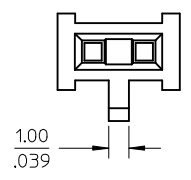
10 9 8 7 6 5 4 3 2 1

2 & 3  
CIRCUITS

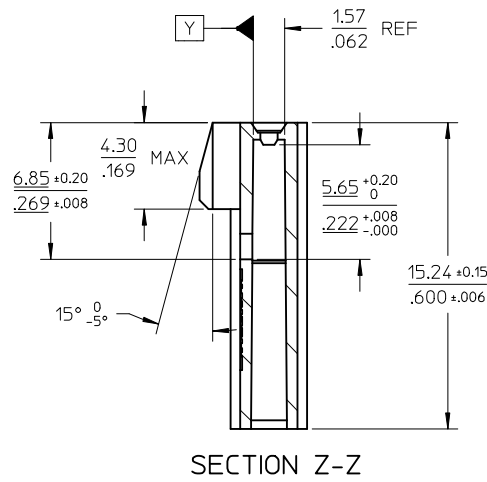
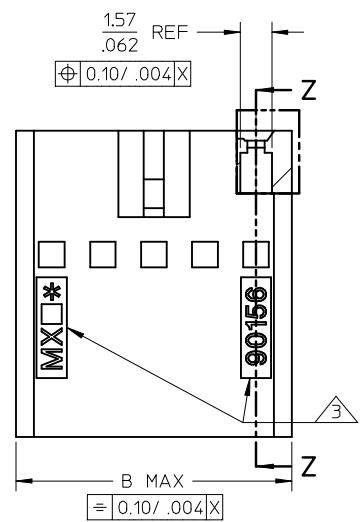
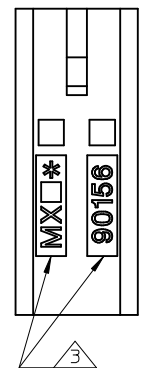
4 TO 32  
CIRCUITS

PART NUMBER:  
90156-XXXX

CIRCUIT SIZE  
REF. NO  
(SEE CHART)  
MATERIAL CODE :  
SEE NOTE 1



GATE LOCATION MAY VARY  
WITH DIFFERENT OR SAME CKT SIZE



No. OF CKTS	PART NUMBER	DIM A	DIM B
2	90156-XX42	( 2.54 ) / .100	( 6.14 ) / .342
3	-XX43	( 5.08 ) / .200	( 8.68 ) / .342
4	-XX44	( 7.62 ) / .300	( 11.22 ) / .442
5	-XX45	( 10.16 ) / .400	( 13.76 ) / .542
6	-XX46	( 12.70 ) / .500	( 16.30 ) / .642
7	-XX47	( 15.24 ) / .600	( 18.84 ) / .742
8	-XX48	( 17.78 ) / .700	( 21.38 ) / .842
9	-XX49	( 20.32 ) / .800	( 23.92 ) / .942
10	-XX50	( 22.86 ) / .900	( 26.46 ) / 1.042
11			
12	-XX52	( 27.94 ) / 1.100	( 31.54 ) / 1.242
13	-XX53	( 30.48 ) / 1.200	( 34.08 ) / 1.342
14	-XX54	( 33.02 ) / 1.300	( 36.62 ) / 1.442
15	-XX55	( 35.56 ) / 1.400	( 39.16 ) / 1.542
16	-XX56	( 38.10 ) / 1.500	( 41.70 ) / 1.642
17			
18	-XX58	( 43.18 ) / 1.700	( 46.78 ) / 1.842
19			
20	-XX60	( 48.26 ) / 1.900	( 51.86 ) / 2.042
21			
22	-XX62	( 53.34 ) / 2.100	( 56.94 ) / 2.242
23			
24			
25	-XX65	( 60.96 ) / 2.400	( 64.56 ) / 2.542
26			
27			
28			
29			
30	-XX70	( 73.66 ) / 2.900	( 77.26 ) / 3.042
31			
32	90156-XX72	( 78.74 ) / 3.100	( 82.34 ) / 3.242

- NOTES:
- MATERIAL CODE XX: 90156 - XX \*\* :  
01 - POLYPHENYLENE OXIDE (PPO) UL94 V-1 COLOR: BLACK  
10 - GLOW WIRE OPTION POLYESTER (PBT) UL94 V-2 COLOR: NATURAL
  - PRODUCT SPECIFICATION: PS-99020-0001
  - MOLEX LOGO, SERIES NUMBER AND CAVITY ID TO BE PLACED ON THIS FACE.

+ MX LOGO & SERIES	EC NO: S2017-0535	2017/04/10	2017/04/10
	DRWN:CGOH	2017/04/10	2017/04/10
	CHKD:FCSS00	2017/04/10	2017/04/10
	APPR:KHLIM	2017/04/10	2017/04/10
REV	Q4		

QUALITY SYMBOLS	$F_A=0$	$F_C=0$	$F_P=0$
	GENERAL TOLERANCES (UNLESS SPECIFIED)		
	mm	INCH	
	4 PLACES	± ---	± ---
	3 PLACES	± ---	± .004
	2 PLACES	± 0.20	± ---
	1 PLACE	± ---	± ---
	0 PLACE	± ---	± ---
	ANGULAR ± 2 °		
	DRAFT WHERE APPLICABLE MUST REMAIN WITHIN DIMENSIONS		

DIMENSION STYLE		SCALE	DESIGN UNITS	THIRD ANGLE PROJECTION
MM/IN		NTS	METRIC	
DRAWN BY	DATE	TITLE		
GMC SWEEN	2004/05/07	C GRID III SINGLE ROW CRIMP CONNECTOR HOUSING		
CHECKED BY	DATE			
JDENNEHY	2004/05/13			
APPROVED BY	DATE			
KHLIM	2015/11/05			
MATERIAL NO.	DOCUMENT NO.	SHEET NO.		
SEE TABLE	SDA-90156	1 OF 1		

THIS DRAWING CONTAINS INFORMATION THAT IS PROPRIETARY TO MOLEX INCORPORATED AND SHOULD NOT BE USED WITHOUT WRITTEN PERMISSION

9 8 7 6 5 4 3 2 1