

**PLEASE CHECK WWW.MOLEX.COM FOR LATEST PART INFORMATION**

**Part Number:** [90814-0620](#)  
**Status:** **Active**  
**Overview:** [Picoflex®](#)  
**Description:** 1.27mm Pitch Picoflex® PF-50 SMT Header without PCB Pegs, Vertical, Low Profile, Surface Mount, Tin (Sn) Plated, 20 Circuits, Natural

**Documents:**

[3D Model](#) [Packaging Specification PK-90814-001 \(PDF\)](#)  
[Drawing \(PDF\)](#) [RoHS Certificate of Compliance \(PDF\)](#)  
[Product Specification PS-99020-0011 \(PDF\)](#)

**Agency Certification**

UL E29179

**General**

Product Family PCB Headers  
 Series [90814](#)  
 Application Signal, Wire-to-Board  
 Application Tooling Part Link [690081070](#)  
 Comments Low Profile  
 Overview [Picoflex®](#)  
 Product Name Picoflex®  
 UPC 800756882895

**Physical**

Breakaway No  
 Circuits (Loaded) 20  
 Circuits (maximum) 20  
 Color - Resin Natural  
 Durability (mating cycles max) 30  
 First Mate / Last Break No  
 Flammability 94V-0  
 Glow-Wire Compliant No  
 Guide to Mating Part No  
 Keying to Mating Part None  
 Lock to Mating Part Yes  
 Material - Metal Brass  
 Material - Plating Mating Tin  
 Material - Resin High Temperature Thermoplastic  
 Net Weight 0.850/g  
 Number of Rows 1  
 Orientation Vertical  
 PCB Locator No  
 PCB Retention Yes  
 PCB Thickness - Recommended 1.60mm  
 Packaging Type Tube  
 Pitch - Mating Interface 1.27mm  
 Pitch - Termination Interface 1.27mm  
 Plating min - Mating 3.048µm  
 Plating min - Termination 3.048µm  
 Polarized to Mating Part Yes  
 Polarized to PCB No  
 Shrouded No  
 Stackable No  
 Surface Mount Compatible (SMC) Yes  
 Temperature Range - Operating -40°C to +105°C

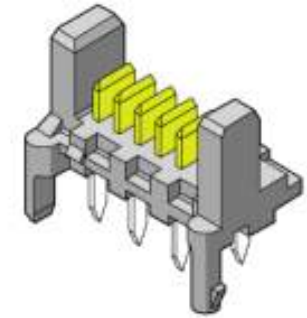


image - Reference only

Series

**EU RoHS**

**ELV and RoHS Compliant**

**REACH SVHC**

Not Reviewed

**Low-Halogen Status**

**Not Low-Halogen**

**China RoHS**



**Need more information on product environmental compliance?**

Email [productcompliance@molex.com](mailto:productcompliance@molex.com)  
 For a multiple part number RoHS Certificate of Compliance, [click here](#)

Please visit the [Contact Us](#) section for any non-product compliance questions.

**Search Parts in this Series**

[90814Series](#)

**Mates With**

[90327 IDT Connector](#)

**Application Tooling | FAQ**

*Tooling specifications and manuals are found by selecting the products below. Crimp Height Specifications are then contained in the Application Tooling Specification document.*

**Global**

**Description**

**Product #**

Extraction Tool (Plastic) for 4-26 Circuit

[0690081070](#)

Termination Interface: Style Surface Mount

**Electrical**

Current - Maximum per Contact 2.4A  
Voltage - Maximum 250V AC/DC

**Material Info**

**Reference - Drawing Numbers**

Packaging Specification PK-90814-001  
Product Specification PS-99020-0011  
Sales Drawing SDA-90814

This document was generated on 01/15/2013

**PLEASE CHECK [WWW.MOLEX.COM](http://WWW.MOLEX.COM) FOR LATEST PART INFORMATION**