

**PLEASE CHECK WWW.MOLEX.COM FOR LATEST PART INFORMATION**

**Part Number:** [90814-3918](#)  
**Status:** **Active**  
**Overview:** [Picoflex®](#)  
**Description:** 1.27mm Pitch Picoflex® PF-50 SMT Header with PCB Pegs, Vertical, Low Profile, Surface Mount, Gold (Au) Plated, 18 Circuits, Natural

**Documents:**

[3D Model](#) [Product Specification PS-99020-0011 \(PDF\)](#)  
[Drawing \(PDF\)](#) [RoHS Certificate of Compliance \(PDF\)](#)

**Agency Certification**

UL E29179

**General**

Product Family	PCB Headers
Series	<a href="#">90814</a>
Application	Signal, Wire-to-Board
Application Tooling Part Link	<a href="#">690081070</a>
Comments	Low Profile
Overview	<a href="#">Picoflex®</a>
Product Name	Picoflex®

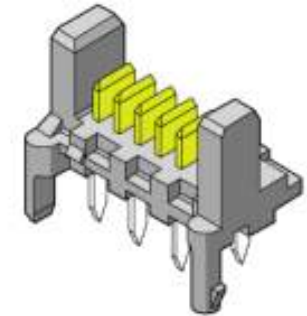
  

**Physical**

Breakaway	No
Circuits (Loaded)	18
Color - Resin	Natural
Durability (mating cycles max)	100
First Mate / Last Break	No
Flammability	94V-0
Glow-Wire Compliant	No
Guide to Mating Part	No
Keying to Mating Part	None
Lock to Mating Part	Yes
Material - Metal	Brass
Material - Plating Mating	Gold
Material - Resin	High Temperature Thermoplastic
Number of Rows	1
Orientation	Vertical
PCB Locator	Yes
PCB Retention	Yes
PCB Thickness - Recommended	1.60mm
Packaging Type	Adhesive Tape on Reel
Pitch - Mating Interface	1.27mm
Pitch - Termination Interface	1.27mm
Plating min - Mating	0.762µm
Plating min - Termination	0.102µm
Polarized to Mating Part	Yes
Polarized to PCB	Yes
Shrouded	No
Stackable	No
Surface Mount Compatible (SMC)	Yes
Temperature Range - Operating	-40°C to +105°C
Termination Interface: Style	Surface Mount

**Electrical**

Current - Maximum per Contact 2.4A



Series

*image - Reference only*

**EU RoHS**

**ELV and RoHS Compliant**  
**REACH SVHC Contains SVHC: No**  
**Low-Halogen Status Not Low-Halogen**

**China RoHS**



**Need more information on product environmental compliance?**

Email [productcompliance@molex.com](mailto:productcompliance@molex.com)  
 For a multiple part number RoHS Certificate of Compliance, [click here](#)

Please visit the [Contact Us](#) section for any non-product compliance questions.

**Search Parts in this Series**

[90814Series](#)

**Mates With**

[90327 IDT Connector](#)

**Application Tooling | FAQ**

*Tooling specifications and manuals are found by selecting the products below. Crimp Height Specifications are then contained in the Application Tooling Specification document.*

**Global**

Description	Product #
Extraction Tool (Plastic) for 4-26 Circuit	<a href="#">0690081070</a>

Voltage - Maximum

250V AC/DC

**Material Info**

**Reference - Drawing Numbers**

Product Specification  
Sales Drawing

PS-99020-0011  
SDA-90814

This document was generated on 04/04/2012

**PLEASE CHECK [WWW.MOLEX.COM](http://WWW.MOLEX.COM) FOR LATEST PART INFORMATION**