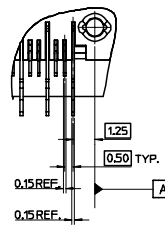
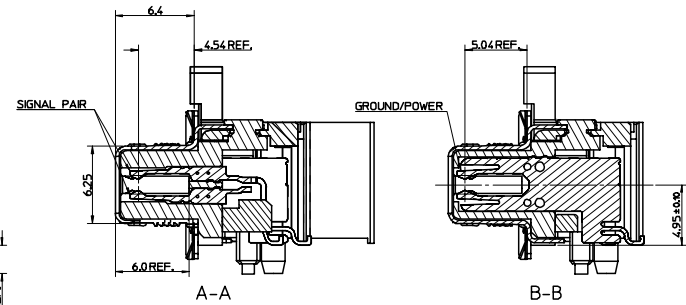
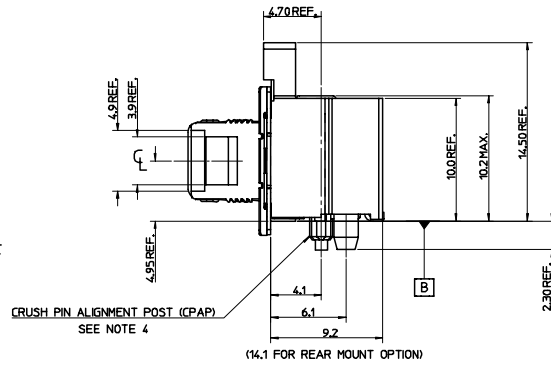
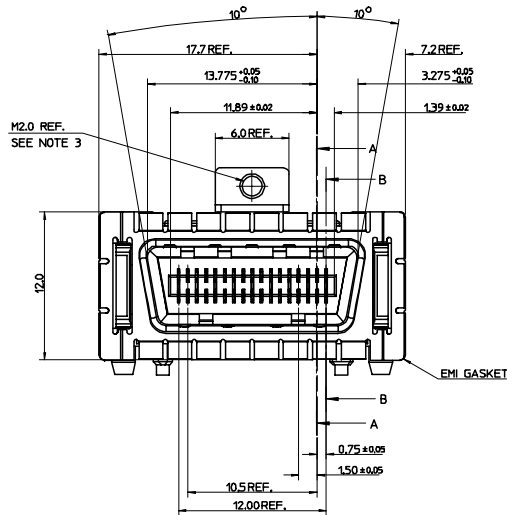
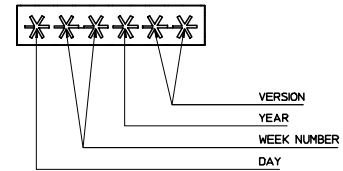


DETAIL 2
Scale 7:1



DETAIL 1
Scale 10:1

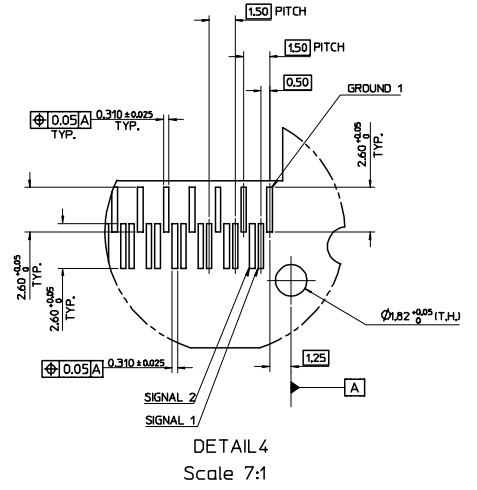
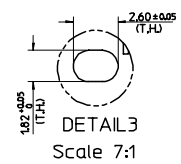
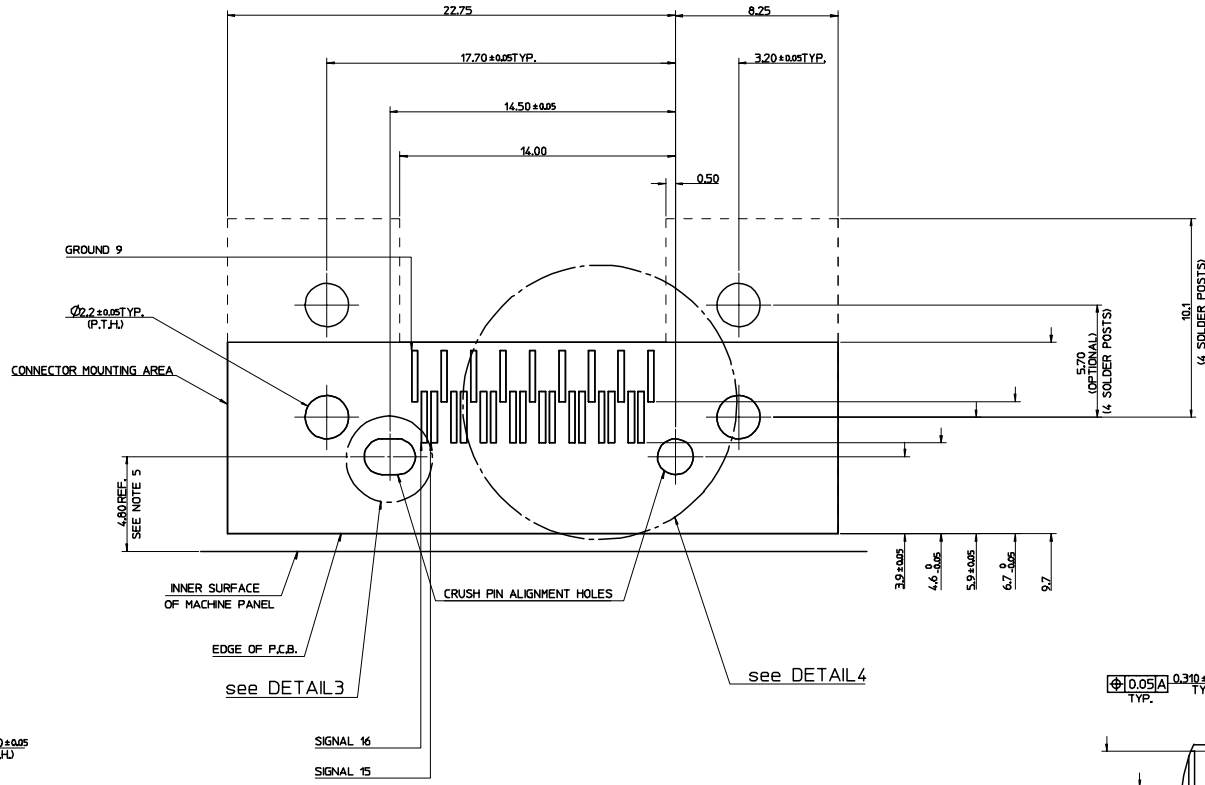


NOTES:

1. PRODUCT SPECIFICATION PS-91525-001
2. PACKAGING SPECIFICATION PK-91525-002 (TRAY) AND PK-91525-004 (TAPE AND REEL)
3. SCREW THREAD M2.0 X 0.4 PITCH TAPPED THROUGH. RECOMMENDED SCREW M2 X 0.4 PITCH. LENGTH 8mm, WITH A PAN HEAD, RECOMMENDED TORQUE 0.3Nm.
4. CPAP USED TO ALIGN THE SOLDER TAILS WITH THE PCB SOLDER PADS.
5. RECEPTACLE CONTACTS 127um MIN NICKEL ALL OVER. CONTACT AREA 0.10um MIN GOLD OVER 0.76um MIN PALLADIUM NICKEL. SMT AREA 3um MIN TIN.
6. PCB DATUM B = B1 + B2 + B3
7. PICK AND PLACE AREA FOR VACUUM PICK UP.
8. FOR 12X PARTS PLEASE REFER TO SD-91525-004.
9. FOR 4X PARTS WITH FOAM GASKET PLEASE REFER TO SD-91804-001

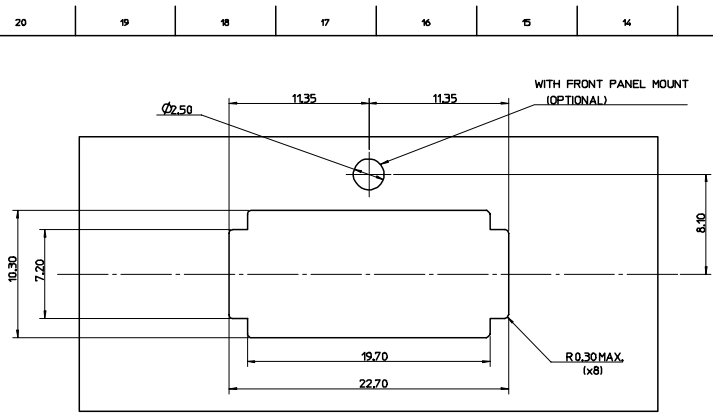
MODIFY NOTE NO'S EC NO. E2004-0705 DRAWING CARTON 2006/02/10 CHECKED 2006/02/14 APPROVED/APPRE-FOULAN 2006/02/16	QUALITY SYMBOLS 	GENERAL TOLERANCES (UNLESS SPECIFIED)		DIMENSION STYLE MM ONLY	SCALE 5:1	DESIGN UNITS METRIC	THIRD ANGLE PROJECTION
		4 PLACES \pm --- \pm --- 3 PLACES \pm --- \pm --- 2 PLACES ± 0.1 \pm --- 1 PLACE ± 0.2 \pm --- ANGULAR $\pm 2^\circ$	DRAWN BY SMC GREEVY DATE 09/03/05	CHECKED BY K DELANEY DATE 09/03/05	APPROVED BY J WALLACE DATE 09/03/05	TITLE LANELINK F CONN 4X LATCH VERSION WITH OPTIONAL EMI SHIELD & MTL GKT	MATERIAL NO. SEE SHEET 4&5
DRAFT WHERE APPLICABLE MUST REMAIN WITHIN DIMENSIONS							
SEE THIS DRAWING CONTAINS INFORMATION THAT IS PROPRIETARY TO MOLEX INCORPORATED AND SHOULD NOT BE USED WITHOUT WRITTEN PERMISSION							

RECOMMENDED PCB LAYOUT
(SHOWING PCB REAR MOUNTING HOLES OPTION)

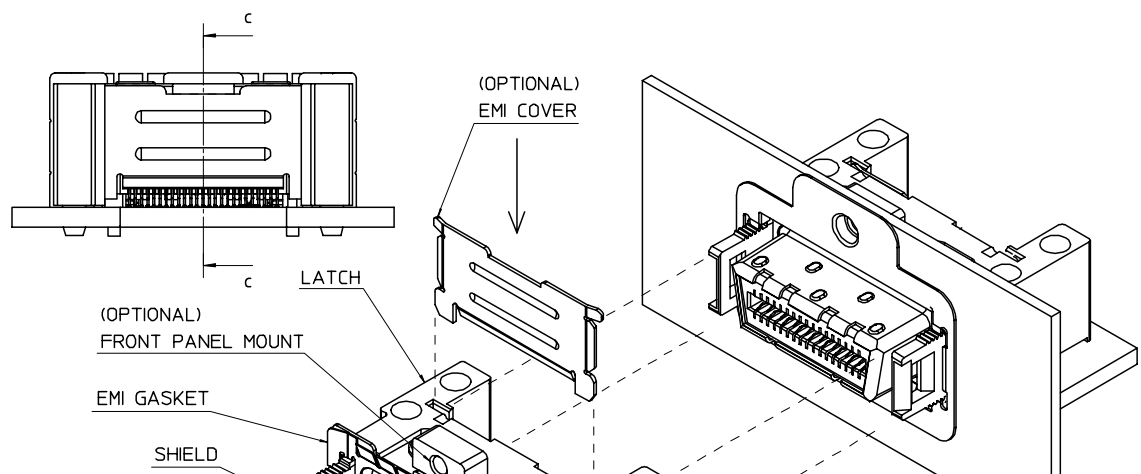


- NOTES:
1. AREAS OUTLINED TO BE FREE OF COMPONENTS
 2. ALL HOLE SIZES ARE FINISHED HOLE SIZES
 3. FOR ANY UNSPECIFIED DIMENSIONS OR NOTES SEE SHEET 1
 4. RANGE OF PCB THICKNESSES: 1.6 TO 2.10mm INCLUSIVE.
LONGER SOLDER POSTS AVAILABLE FOR OTHER PCB THICKNESSES.
FOR FURTHER INFORMATION PLEASE CONTACT LOCAL SALES OFFICE.
 5. THE DESIGN CAN ACCOMMODATE DIFFERENT VALUES OF THIS DIMENSION
BY VARYING THE EMI GASKET THICKNESS.
- FOR FURTHER INFORMATION PLEASE CONTACT YOUR LOCAL SALES OFFICE

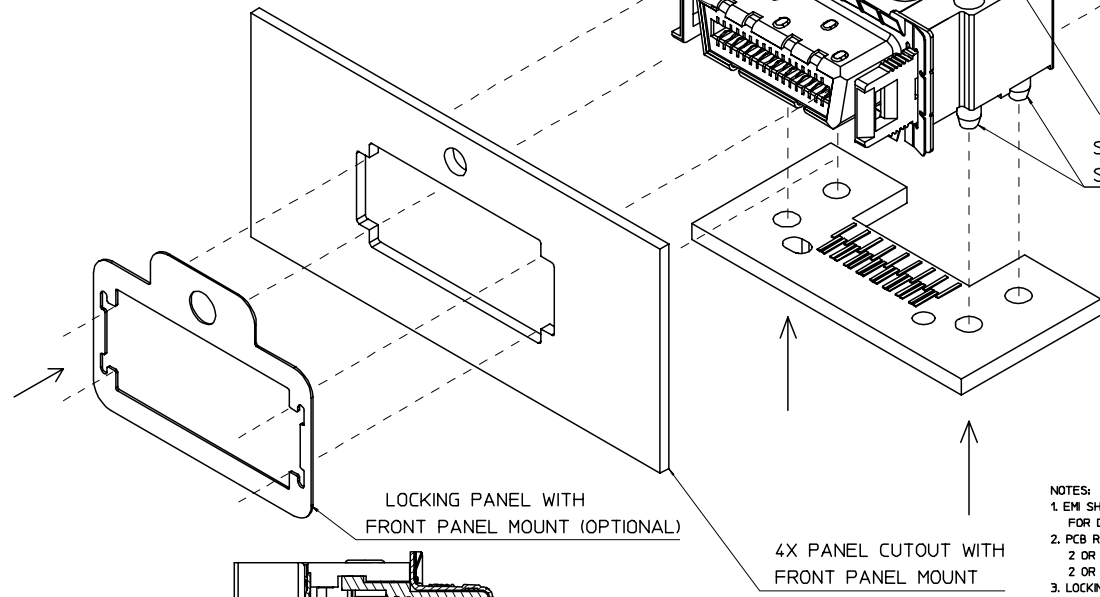
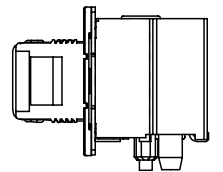
SEE SHEET 1 DRAWING NO. E2004-0705 DRWING: CARTON 2006/02/10 CHKD: 2006/02/14 APPR: EFOLAN 2006/02/16	QUALITY SYMBOLS	GENERAL TOLERANCES (UNLESS SPECIFIED)	DIMENSION STYLE MM ONLY	SCALE 8:1	DESIGN UNITS METRIC	THIRD ANGLE PROJECTION
	▽=0 ▽=0	4 PLACES ± --- ± --- 3 PLACES ± --- ± --- 2 PLACES ± 0.1 ± --- 1 PLACE ± 0.2 ± --- ANGULAR ± 2°	mm INCH DRAWN BY: SMC GREEVEY DATE: 09/03/05 CHECKED BY: DATE: K DELANEY 09/03/05 APPROVED BY: DATE: J WALLACE 09/03/05	TITLE	LANELINK F CONN 4X LATCH VERSION WITH OPTIONAL EMI SHIELD & MTL GKT MOLEX INCORPORATED	
MATERIAL NO. SEE SHEET 4&5 SIZE: THIS DRAWING CONTAINS INFORMATION THAT IS PROPRIETARY TO MOLEX INCORPORATED AND SHOULD NOT BE USED WITHOUT WRITTEN PERMISSION	DRAFT WHERE APPLICABLE MUST REMAIN WITHIN DIMENSIONS		DOCUMENT NO.	SD-91804-003 SHEET NO. 2 OF 5		



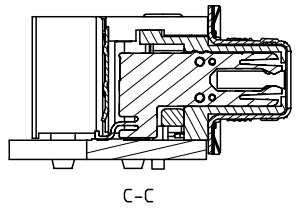
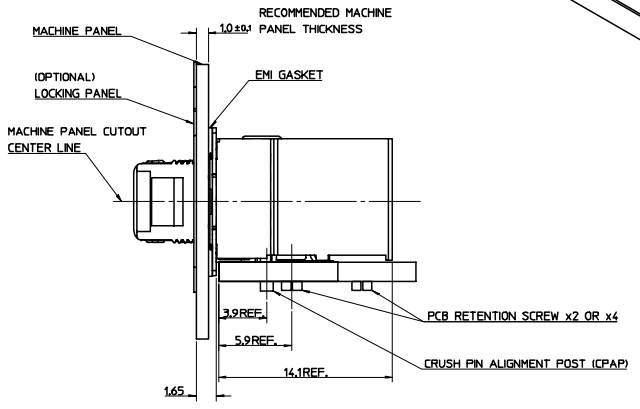
RECOMMENDED 4X PANEL CUTOUT



CONNECTOR WITHOUT OPTIONAL FEATURES

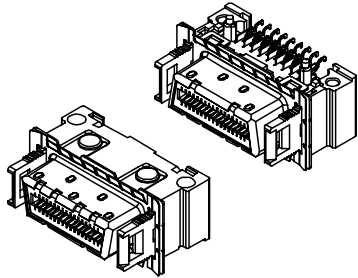


- NOTES:
- EMI SHIELD IS TO BE ASSEMBLED TO CONNECTOR AFTER REFLOW (OPTIONAL) FOR DETAILS OF EMI SHIELD SEE SALES DRAWING SD-91789-001
 - PCB RETENTION OPTIONS:
2 OR 4 SCREWS, (4 FOR REAR MOUNT OPTIONS)
2 OR 4 SOLDER POSTS, (4 FOR REAR MOUNT OPTIONS)
 - LOCKING PANEL (91532) ONE PER CONNECTOR, ORDER SEPARATELY. SEE SALES DRAWING SD-91532-001



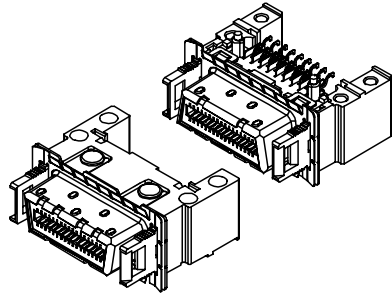
SEE SHEET 1 ELEC NO. E2004-0705 DRAWING CARTON 2006/02/10 CHECKED: 2006/02/14 APPROVED: 2006/02/16 REV. DESCRIPTION	QUALITY SYMBOLS $\nabla=0$ $\nabla=0$		GENERAL TOLERANCES (UNLESS SPECIFIED) mm INCH		DIMENSION STYLE MM ONLY	SCALE 5:1	DESIGN UNITS METRIC	THIRD ANGLE PROJECTION
	4 PLACES ± --- ± --- 3 PLACES ± --- ± --- 2 PLACES ± 0.1 ± --- 1 PLACE ± 0.2 ± ---	DRAWN BY SMC GREEVY DATE 09/03/05	CHECKED BY K DELANEY DATE 09/03/05	APPROVED BY J WALLACE DATE 09/03/05	MATERIAL NO. SEE SHEET 4&5	TITLE LANELINK F CONN 4X LATCH VERSION WITH OPTIONAL EMI SHIELD & MTL GKT	DOCUMENT NO. SD-91804-003	SHEET NO. 3 OF 5
DRAFT WHERE APPLICABLE MUST REMAIN WITHIN DIMENSIONS								
THIS DRAWING CONTAINS INFORMATION THAT IS PROPRIETARY TO MOLEX INCORPORATED AND SHOULD NOT BE USED WITHOUT WRITTEN PERMISSION								

4X LATCH I/O	
REAR MOUNTS	NO
PANEL MOUNT	NO
SOLDER POSTS	NO



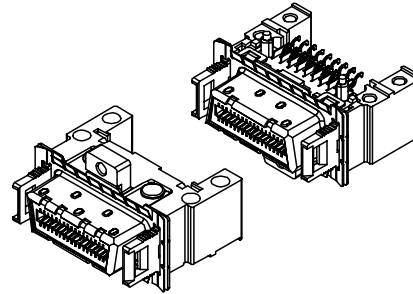
PART NO.	PACKAGING
91804-0411	TRAY
91804-8411	TAPE AND REEL

4X LATCH I/O	
REAR MOUNTS	YES
PANEL MOUNT	NO
SOLDER POSTS	NO



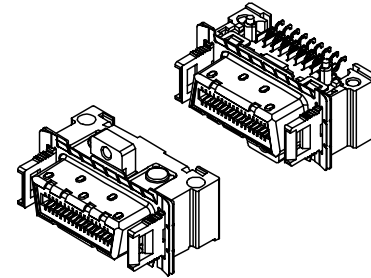
PART NO.	PACKAGING
91804-0413	TRAY
91804-8413	TAPE AND REEL

4X LATCH I/O	
REAR MOUNTS	YES
PANEL MOUNT	YES
SOLDER POSTS	NO



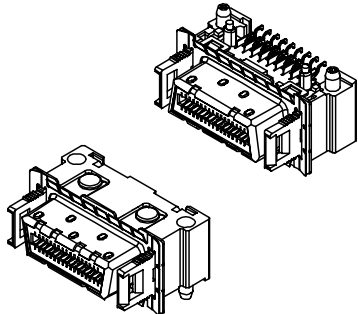
PART NO.	PACKAGING
91804-0415	TRAY
91804-8415	TAPE AND REEL

4X LATCH I/O	
REAR MOUNTS	NO
PANEL MOUNT	YES
SOLDER POSTS	NO



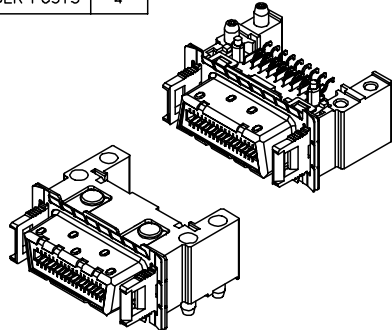
PART NO.	PACKAGING
91804-0417	TRAY
91804-8417	TAPE AND REEL

4X LATCH I/O	
REAR MOUNTS	NO
PANEL MOUNT	NO
SOLDER POSTS	2



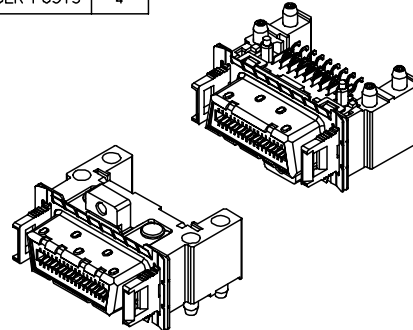
PART NO.	PACKAGING
91804-0451	TRAY
91804-8451	TAPE AND REEL

4X LATCH I/O	
REAR MOUNTS	YES
PANEL MOUNT	NO
SOLDER POSTS	4



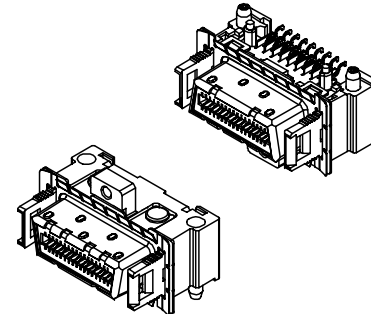
PART NO.	PACKAGING
91804-0453	TRAY
91804-8453	TAPE AND REEL

4X LATCH I/O	
REAR MOUNTS	YES
PANEL MOUNT	YES
SOLDER POSTS	4



PART NO.	PACKAGING
91804-0455	TRAY
91804-8455	TAPE AND REEL

4X LATCH I/O	
REAR MOUNTS	NO
PANEL MOUNT	YES
SOLDER POSTS	2



PART NO.	PACKAGING
91804-0457	TRAY
91804-8457	TAPE AND REEL

- NOTES:
- REFER TO SHEET 1 FOR ALL UNSPECIFIED DIMENSIONS
 - REFER TO SHEET 2 FOR PCB LAYOUT
 - REFER TO SHEET 3 FOR RECOMMENDED ASSEMBLY COMPONENTS AND DIMENSIONS
 - FOR 12X PARTS PLEASE REFER TO SD-91525-004

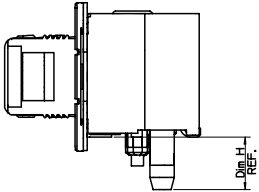
SEE SHEET 1
 ELEC ENG E2004-0705
 2006/02/16
 DRWG SCARTON
 2006/02/14
 CHECKED
 APPR EFULAN
 2006/02/16
 REV

QUALITY SYMBOLS	GENERAL TOLERANCES (UNLESS SPECIFIED)
	mm INCH
	4 PLACES ± --- ± ---
	3 PLACES ± --- ± ---
	2 PLACES ± 0.1 ± ---
	1 PLACE ± 0.2 ± ---
	ANGULAR ± 2°
	DRAFT WHERE APPLICABLE MUST REMAIN WITHIN DIMENSIONS

DIMENSION STYLE	
MM ONLY	
DRAWN BY	DATE
SMCGREEVY	09/03/05
CHECKED BY	DATE
KDELANEY	09/03/05
APPROVED BY	DATE
JWALLACE	09/03/05
MATERIAL NO.	DOCUMENT NO.
SEE SHEET 4&5	SD-91804-003

SCALE	DESIGN UNITS	THIRD ANGLE PROJECTION
3:1	METRIC	
TITLE		
LANELINK F CONN 4X LATCH VERSION WITH OPTIONAL EMI SHIELD & MTL GKT		
MOLEX INCORPORATED		
SHEET NO.		4 OF 5
THIS DRAWING CONTAINS INFORMATION THAT IS PROPRIETARY TO MOLEX INCORPORATED AND SHOULD NOT BE USED WITHOUT WRITTEN PERMISSION		

SOLDER POST LENGTH OPTIONS

	TRAY	91804-0411	91804-0413	91804-0415	91804-0417
	TAPE & REEL	91804-8411	91804-8413	91804-8415	91804-8417

Dim H = 2.3	TRAY	91804-0451	91804-0453	91804-0455	91804-0457
	TAPE & REEL	91804-8451	91804-8453	91804-8455	91804-8457

Dim H = 3.3	TRAY	91804-0461	91804-0463	91804-0465	91804-0467
	TAPE & REEL	91804-8461	91804-8463	91804-8465	91804-8467

Dim H = 4.3	TRAY	91804-0491	91804-0493	91804-0495	91804-0497
	TAPE & REEL	91804-8491	91804-8493	91804-8495	91804-8497

SEE SHEET 1 EC NO. E2004-0705 2006/02/10 DRIVING CARTON 2006/02/14 CHECKED APPROVED APPR: EFULAN 2006/02/16 REV	QUALITY SYMBOLS	GENERAL TOLERANCES (UNLESS SPECIFIED)	DIMENSION STYLE	SCALE	DESIGN UNITS	THIRD ANGLE PROJECTION	
	▽=0 ▽=0.1 ▽=0.2	mm INCH 4 PLACES ± --- ± --- 3 PLACES ± --- ± --- 2 PLACES ± 0.1 ± --- 1 PLACE ± 0.2 ± --- ANGULAR ± 2°	MM ONLY	3:1	METRIC	DRAWN BY DATE SMC GREEVY 09/03/05 CHECKED BY DATE K DELANEY 09/03/05 APPROVED BY DATE J WALLACE 09/03/05	TITLE LANELINK F CONN 4X LATCH VERSION WITH OPTIONAL EMI SHIELD & MTL GKT MOLEX INCORPORATED
	DRAFT WHERE APPLICABLE MUST REMAIN WITHIN DIMENSIONS	SEE SHEET 4&5 SD-91804-003	MATERIAL NO.	DOCUMENT NO.	SHEET NO.		
	THIS DRAWING CONTAINS INFORMATION THAT IS PROPRIETARY TO MOLEX INCORPORATED AND SHOULD NOT BE USED WITHOUT WRITTEN PERMISSION					5 OF 5	