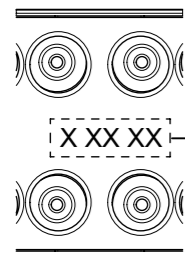
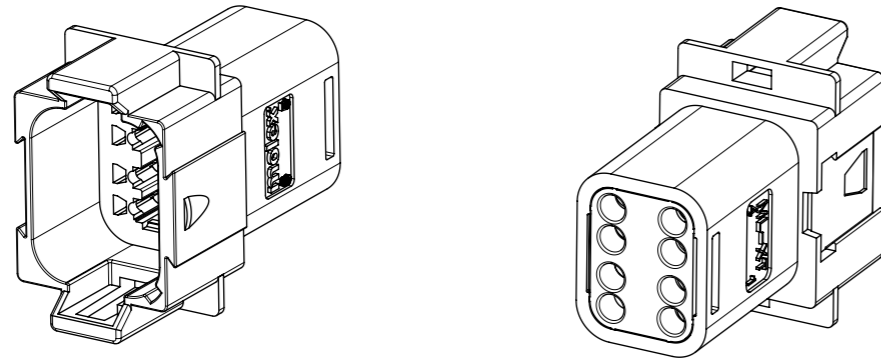


NOTES:
 1. SEE SHEETS 2 - 9 FOR UNSPECIFIED NOTES, DIMENSIONS & PART NUMBERS

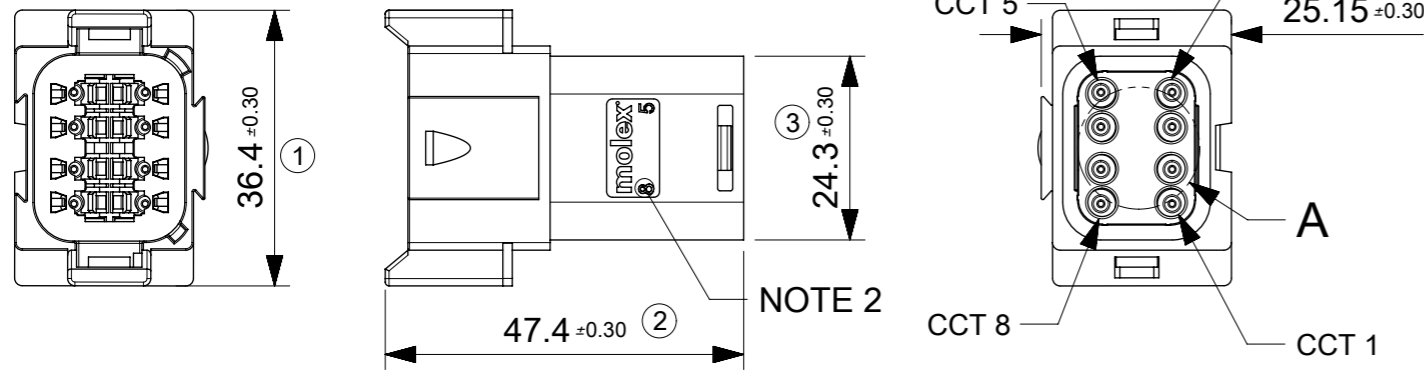
SYMBOLS	THIS DRAWING CONTAINS INFORMATION THAT IS PROPRIETARY TO MOLEX ELECTRONIC TECHNOLOGIES, LLC AND SHOULD NOT BE USED WITHOUT WRITTEN PERMISSION		CURRENT REV DESC: SEE LONG TEXT			molex		
	DIMENSION UNITS	SCALE						
▽ = 0	mm	1.5:1	EC NO: 603808			8CCCT ML-XT CV CONNECTOR SYSTEM		
▽ = 0	GENERAL TOLERANCES (UNLESS SPECIFIED)		DRWN: JFLETCHER 2018/09/03			PRODUCT CUSTOMER DRAWING		
▽ = 0	ANGULAR TOL ± 2.0°		CHK'D: JFLETCHER 2018/09/05			DOCUMENT NUMBER		
▽ = 0	4 PLACES ±		APPR: IOCONNELL 2018/09/14			934430050		
▽ = 0	3 PLACES ±		INITIAL REVISION:			PSD 000 B1		
▽ = 0	2 PLACES ± 0.1		DRWN: JFLETCHER 2016/01/05			MATERIAL NUMBER		
▽ = 0	1 PLACE ± 0.2		APPR: JDWALLACE 2016/01/14			CUSTOMER		
▽ = 0	0 PLACES ±		DRAFT WHERE APPLICABLE MUST REMAIN WITHIN DIMENSIONS			SEE CHART		
▽ = 0	THIRD ANGLE PROJECTION		DRAWING		SERIES		SHEET NUMBER	
▽ = 0	A3-SIZE		93443		GENERAL MARKET		1 OF 9	

8CCT RECEPTACLE CONNECTOR



DETAIL A
SCALE 2:1

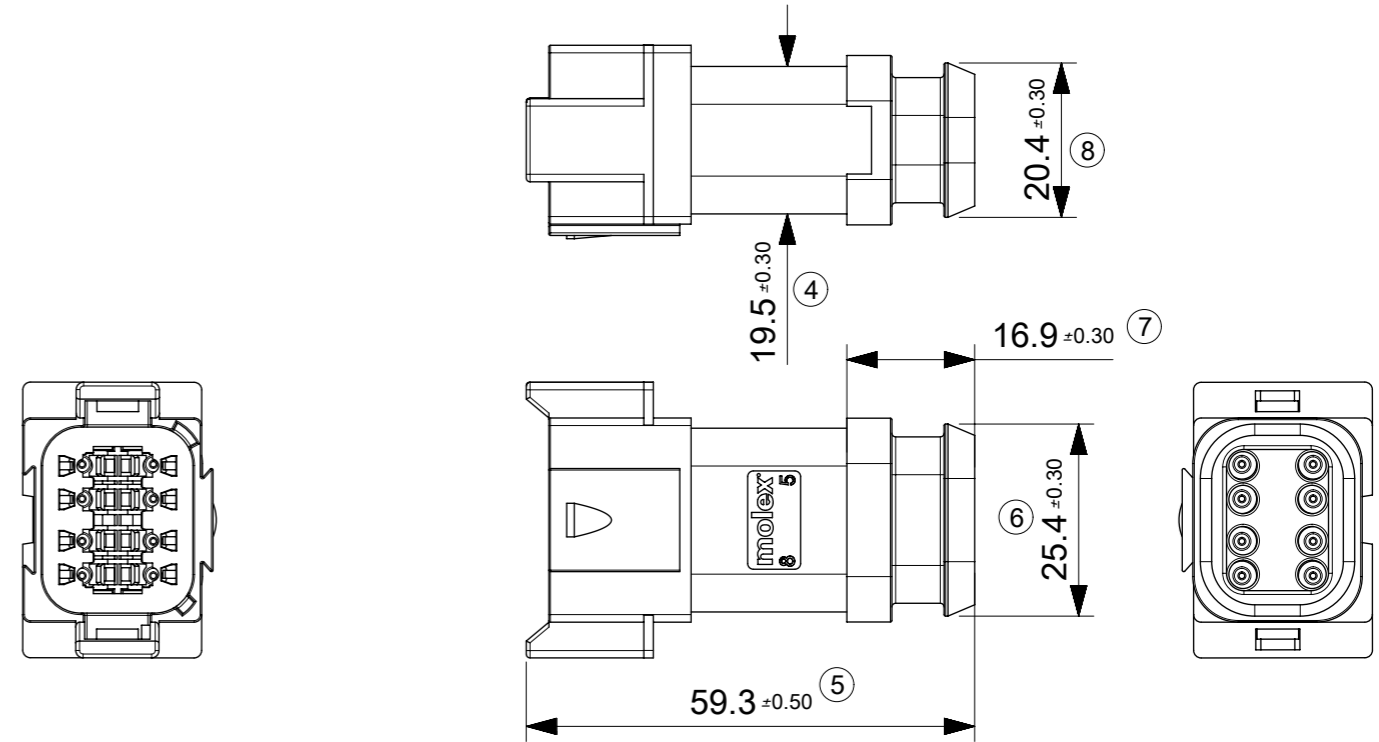
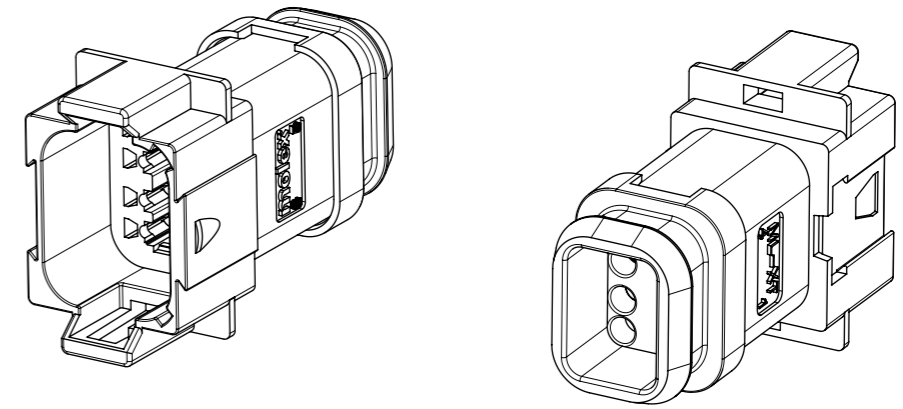
DATE CODE: X XX XX
X — DAY: 1-7
X — WEEK: 01 - 52
X — YEAR: 00 - 99
— MACHINE NO. 1
EXAMPLE: 11315 = DAY 1, WEEK 13, YEAR 15
i.e. 23rd OF MARCH 2015



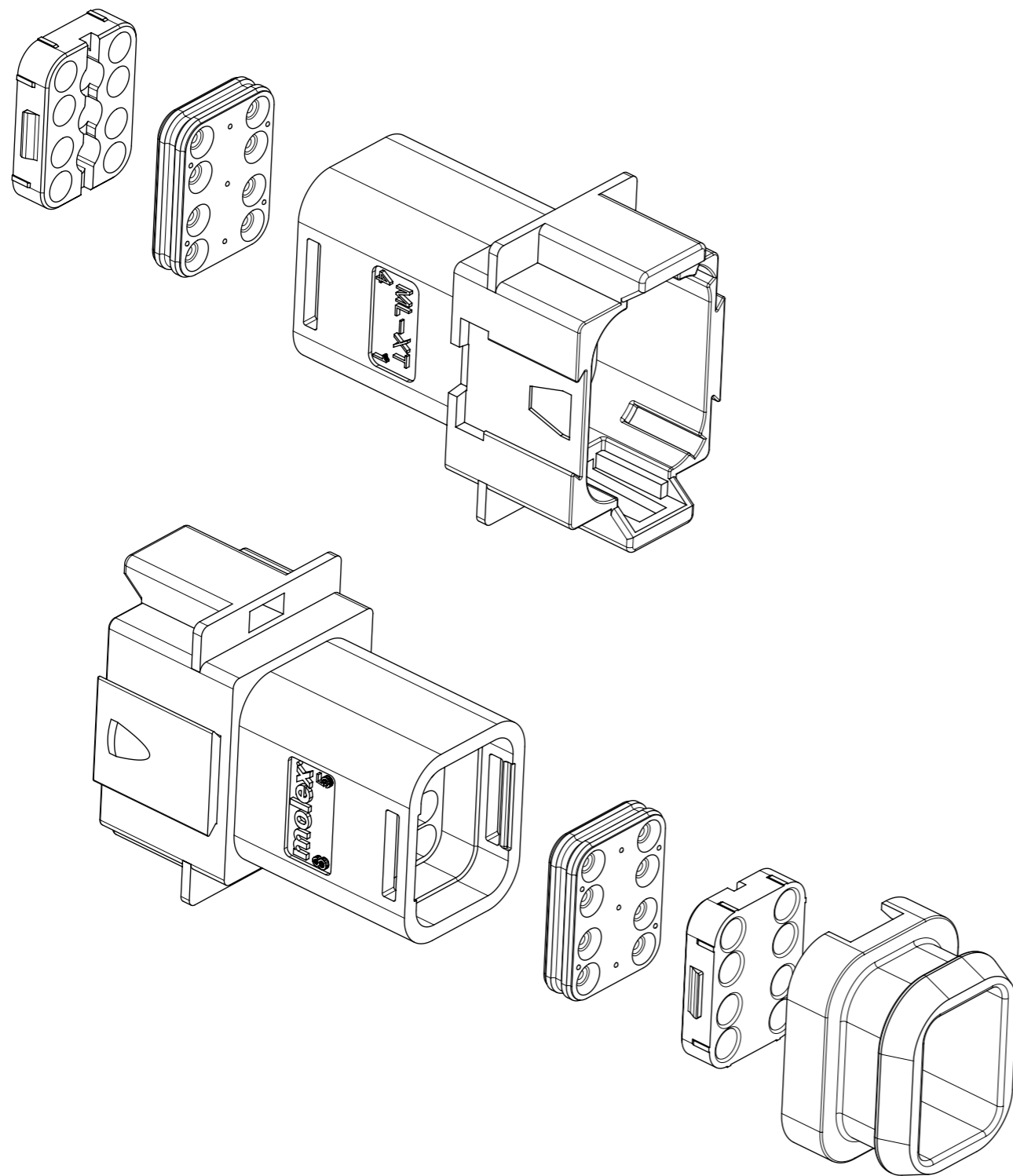
NOTES

- MATERIAL
HOUSING: NYLON 30% GF
BACK SEAL: HIGH CONSISTENCY RUBBER
 - CIRCUIT IDENTIFICATION
 - JACKET RANGE LARGE = Ø2.23MM TO 3.68MM (SEAL COLOUR: LIGHT BLUE)
JACKET RANGE SMALL = Ø1.35MM TO 3.05MM (SEAL COLOUR: BURNT ORANGE)
 - SEE SHEET 3 FOR FINAL PART NUMBER DESIGNATION
 - SEE 934430010 PS P FOR PRODUCT SPECIFICATION
 - SEE 934430002 PS K FOR PACKAGING SPECIFICATION
- INSPECTION NUMBERS 1-50 RESERVED FOR SHEET 2
LAST INSPECTION NUMBER: 9

8CCT RECEPTACLE CONNECTOR WITH HEATSHRINK HOUSING ULTRASONICALLY WELDED IN PLACE



SYMBOLS		THIS DRAWING CONTAINS INFORMATION THAT IS PROPRIETARY TO MOLEX ELECTRONIC TECHNOLOGIES, LLC AND SHOULD NOT BE USED WITHOUT WRITTEN PERMISSION	
▽ = 0	mm	SCALE	1:1
▽ = 0	GENERAL TOLERANCES (UNLESS SPECIFIED)		
▽ = 0	ANGULAR TOL ± 2.0°		
▽ = 0	4 PLACES	±	
▽ = 0	3 PLACES	±	
▽ = 0	2 PLACES	± 0.1	
▽ = 0	1 PLACE	± 0.2	
▽ = 0	0 PLACES	±	
■ = 0	DRAFT WHERE APPLICABLE MUST REMAIN WITHIN DIMENSIONS		
▽ = 0	THIRD ANGLE PROJECTION		
CURRENT REV DESC: SEE LONG TEXT		EC NO: 603808	
		DRWN: JFLETCHER 2018/09/03	
		CHK'D: JFLETCHER 2018/09/05	
		APPR: IOCONNELL 2018/09/14	
		INITIAL REVISION:	
		DRWN: JFLETCHER 2016/01/05	
		APPR: JDWALLACE 2016/01/14	
		DRAWING	
		SERIES	
		MATERIAL NUMBER	
		CUSTOMER	
		SHEET NUMBER	
DOCUMENT NUMBER		DOC TYPE	
DOC PART		REVISION	
934430050		PSD 000 B1	
SEE CHART		GENERAL MARKET	
2 OF 9			



8CCT RECEPTACLE CONNECTOR

SERIES NO.

93444

CIRCUIT SIZE
5 = 8CCT

5

-

-

ASSEMBLY OPTIONS

- 1 = RECEPTACLE ASSEMBLY FOR WIRE JACKET RANGE \varnothing 1.35mm - 3.05mm
- 2 = RECEPTACLE ASSEMBLY FOR WIRE JACKET RANGE \varnothing 2.23mm - 3.68mm
- 5 = RECEPTACLE ASSEMBLY & HEATSHRINK FOR WIRE JACKET RANGE \varnothing 1.35mm - 3.05mm
- 6 = RECEPTACLE ASSEMBLY & HEATSHRINK FOR WIRE JACKET RANGE \varnothing 2.23mm - 3.68mm

KEYING / COLOUR OPTION

- 12 = KEYING OPTION A (GREY)
- 11 = KEYING OPTION A (BLACK)
- 21 = KEYING OPTION B (BLACK)
- 33 = KEYING OPTION C (GREEN)
- 47 = KEYING OPTION D (BROWN)

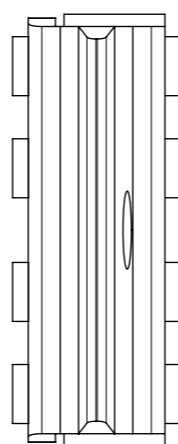
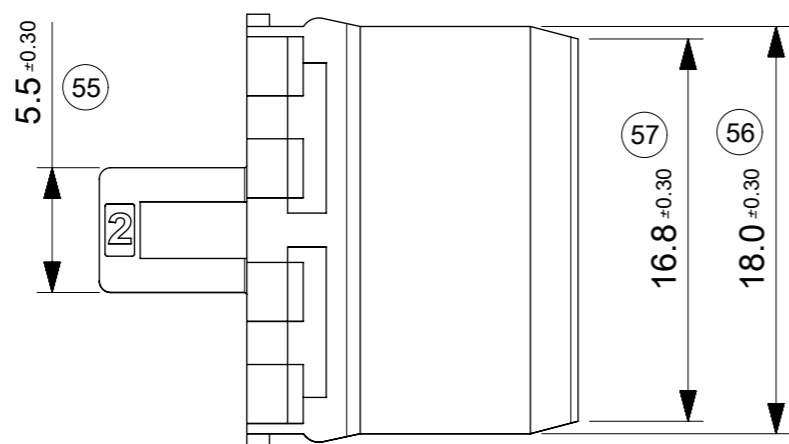
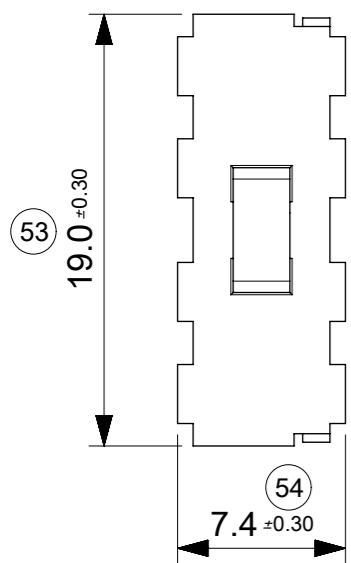
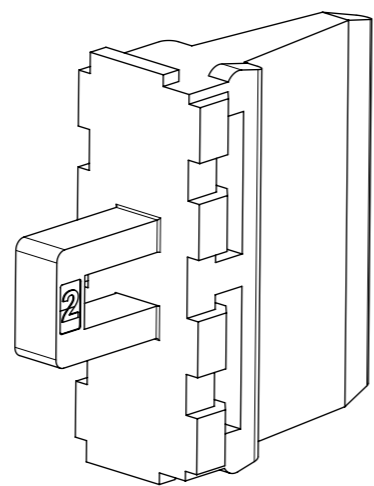
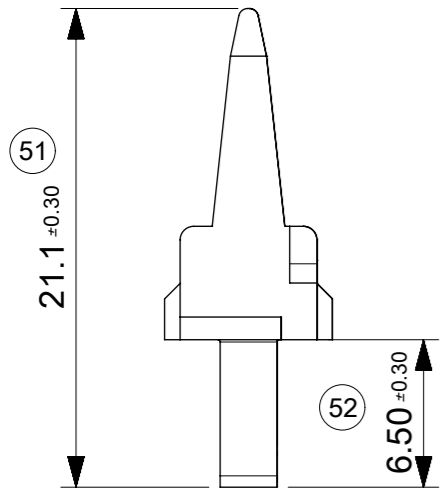
EXAMPLE:

8CCT RECEP & HEATSHRINK FOR WIRE JACKET RANGE \varnothing 1.35mm-3.05mm, KEYING OPTION A (GREY): 93444-5512

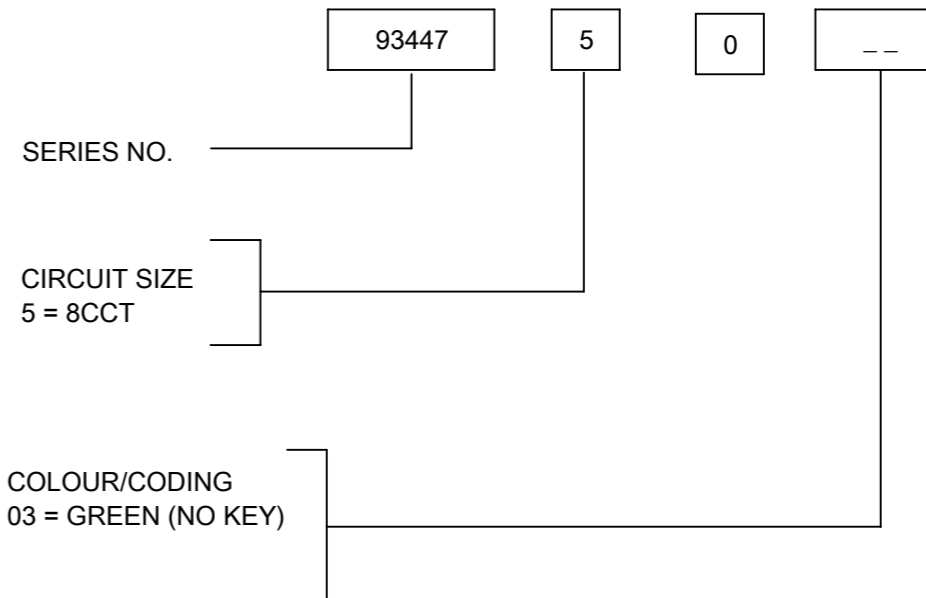
NOTES

1. SEE SHEET 2 FOR UNSPECIFIED NOTES AND DIMENSIONS
2. BACK COVER COLOUR: BLACK
3. HEATSHRINK HOUSING COLOUR: BLACK

SYMBOLS	THIS DRAWING CONTAINS INFORMATION THAT IS PROPRIETARY TO MOLEX ELECTRONIC TECHNOLOGIES, LLC AND SHOULD NOT BE USED WITHOUT WRITTEN PERMISSION		CURRENT REV DESC: SEE LONG TEXT			molex		
	DIMENSION UNITS	SCALE						
▽ = 0	mm	1.5:1	EC NO: 603808			PRODUCT CUSTOMER DRAWING		
▽ = 0	GENERAL TOLERANCES (UNLESS SPECIFIED)		DRWN: JFLETCHER 2018/09/03			DOCUMENT NUMBER		
▽ = 0	ANGULAR TOL ± 2.0°		CHK'D: JFLETCHER 2018/09/05			DOC TYPE DOC PART REVISION		
▽ = 0	4 PLACES ±		APPR: IOCONNELL 2018/09/14			934430050 PSD 000 B1		
▽ = 0	3 PLACES ±		INITIAL REVISION:			MATERIAL NUMBER		
▽ = 0	2 PLACES ± 0.1		DRWN: JFLETCHER 2016/01/05			CUSTOMER		
▽ = 0	1 PLACE ± 0.2		APPR: JDWALLACE 2016/01/14			GENERAL MARKET		
▽ = 0	0 PLACES ±		DRAFT WHERE APPLICABLE MUST REMAIN WITHIN DIMENSIONS			SHEET NUMBER		
▽ = 0	THIRD ANGLE PROJECTION		DRAWING		SERIES		SEE CHART	
▽ = 0	A3-SIZE		93443		3		3 OF 9	



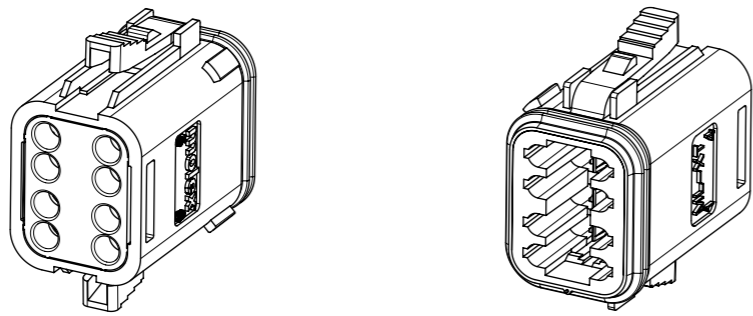
8CCT RECEP. WEDGELOCK



NOTES:
1. MATERIAL: NYLON, 30% GLASS FILLED
INSPECTION NUMBERS 51 - 100 USED FOR SHEET 5.
LAST INSPECTION NUMBER 57

SYMBOLS	THIS DRAWING CONTAINS INFORMATION THAT IS PROPRIETARY TO MOLEX ELECTRONIC TECHNOLOGIES, LLC AND SHOULD NOT BE USED WITHOUT WRITTEN PERMISSION		CURRENT REV DESC: SEE LONG TEXT			molex		
	DIMENSION UNITS	SCALE						
▽ = 0	mm	3:1	EC NO: 603808			PRODUCT CUSTOMER DRAWING		
▽ = 0	GENERAL TOLERANCES (UNLESS SPECIFIED)		DRWN: JFLETCHER 2018/09/03			DOCUMENT NUMBER		
▽ = 0	ANGULAR TOL ± 2.0°		CHK'D: JFLETCHER 2018/09/05			DOC TYPE DOC PART REVISION		
▽ = 0	4 PLACES ±		APPR: IOCONNELL 2018/09/14			934430050 PSD 000 B1		
▽ = 0	3 PLACES ±		INITIAL REVISION:			MATERIAL NUMBER		
▽ = 0	2 PLACES ± 0.1		DRWN: JFLETCHER 2016/01/05			CUSTOMER		
▽ = 0	1 PLACE ± 0.2		APPR: JDWALLACE 2016/01/14			SEE CHART GENERAL MARKET		
▽ = 0	0 PLACES ±		DRAFT WHERE APPLICABLE MUST REMAIN WITHIN DIMENSIONS			SHEET NUMBER		
▽ = 0	THIRD ANGLE PROJECTION		DRAWING		SERIES	5 OF 9		
▽ = 0	DRAWING		A3-SIZE		93443			

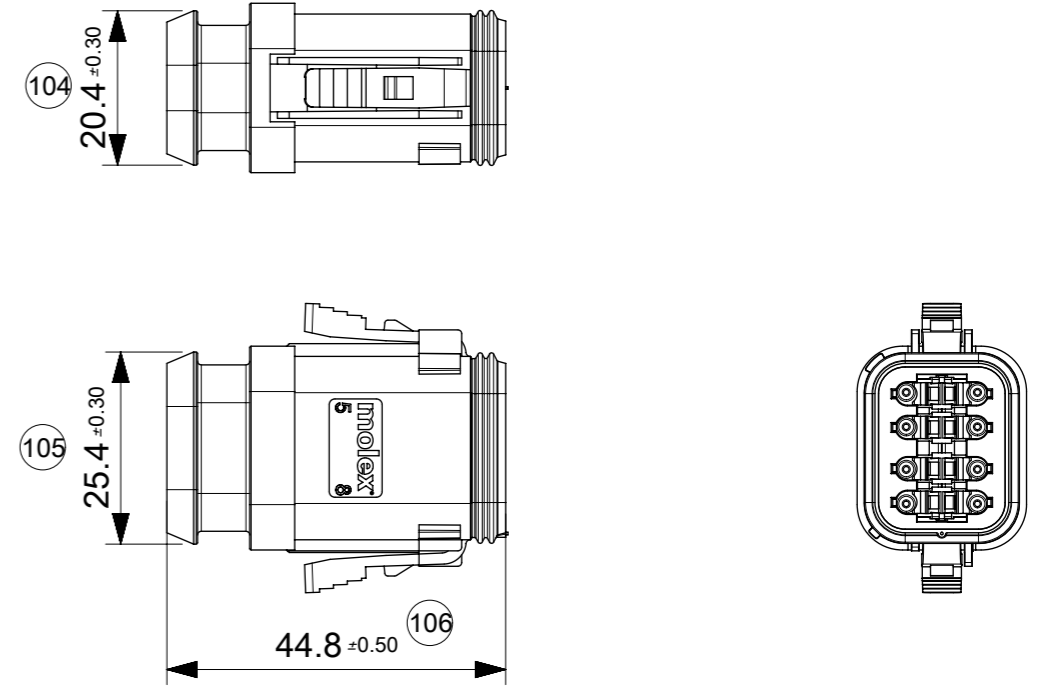
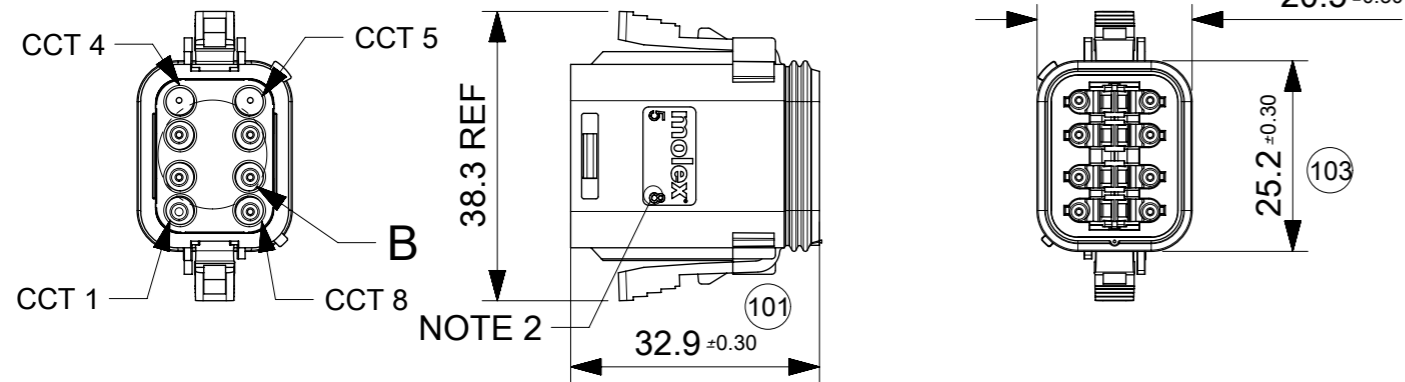
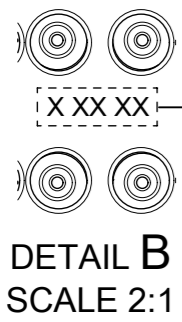
8CCT PLUG CONNECTOR



8CCT PLUG CONNECTOR WITH HEATSHRINK HOUSING ULTRASONICALLY WELDED IN PLACE

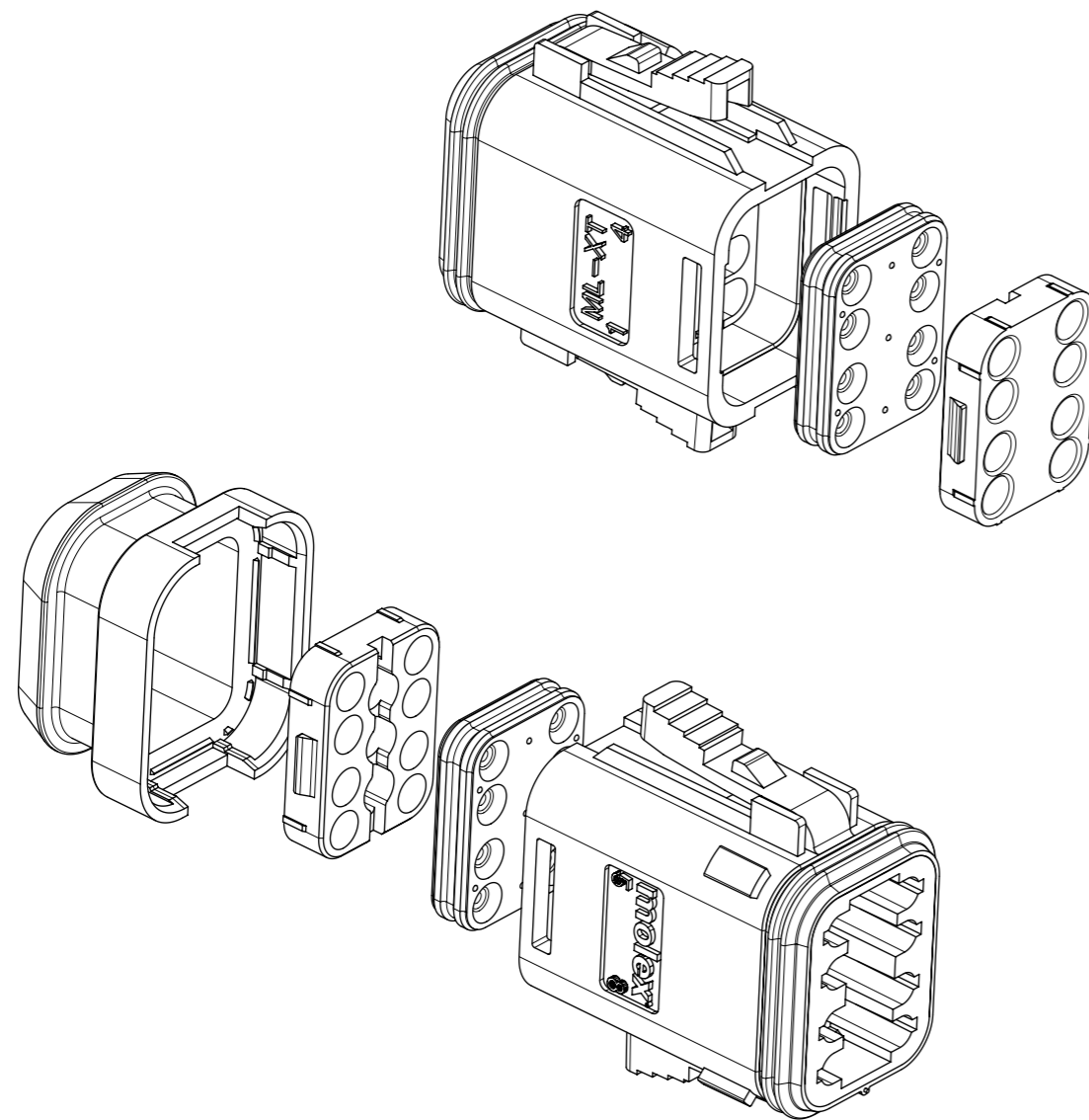


DATE CODE: X XX XX
 X — DAY: 1- 7
 X — WEEK: 01 - 52
 X — YEAR: 00 - 99
 # — MACHINE NO. 1
 EXAMPLE: 11315 = DAY 1, WEEK 13, YEAR 15
 i.e. 23rd OF MARCH 2015



- NOTES
- MATERIAL
 HOUSING: NYLON 30% GF
 PLUG SEAL: SILICONE
 BACK SEAL: HIGH CONSISTENCY RUBBER
 - CIRCUIT IDENTIFICATION
 - JACKET RANGE LARGE = \varnothing 2.23MM TO 3.68MM (SEAL COLOUR: LIGHT BLUE)
 JACKET RANGE SMALL = \varnothing 1.35MM TO 3.05MM (SEAL COLOUR: BURNT ORANGE)
 - SEE SHEET 3 FOR FINAL PART NUMBER DESIGNATION
 - SEE 934430010 PS P FOR PRODUCT SPECIFICATION
 - SEE 934430002 PS K FOR PACKAGING SPECIFICATION
- INSPECTION NUMBERS 101-150 RESERVED FOR SHEET 6
 LAST INSPECTION NUMBER: 106

SYMBOLS		THIS DRAWING CONTAINS INFORMATION THAT IS PROPRIETARY TO MOLEX ELECTRONIC TECHNOLOGIES, LLC AND SHOULD NOT BE USED WITHOUT WRITTEN PERMISSION	
▽ = 0	mm	SCALE	1:1
▽ = 0	GENERAL TOLERANCES (UNLESS SPECIFIED)		
▽ = 0	ANGULAR TOL ± 2.0°		
▽ = 0	4 PLACES	±	
▽ = 0	3 PLACES	±	
▽ = 0	2 PLACES	± 0.1	
▽ = 0	1 PLACE	± 0.2	
▽ = 0	0 PLACES	±	
■ = 0	DRAFT WHERE APPLICABLE MUST REMAIN WITHIN DIMENSIONS		
▽ = 0	THIRD ANGLE PROJECTION		
CURRENT REV DESC: SEE LONG TEXT		molex	
EC NO: 603808		8CCT ML-XT CV CONNECTOR SYSTEM	
DRWN: JFLETCHER 2018/09/03		PRODUCT CUSTOMER DRAWING	
CHK'D: JFLETCHER 2018/09/05		DOCUMENT NUMBER	
APPR: IOCONNELL 2018/09/14		934430050	
INITIAL REVISION:		DOC TYPE	
DRWN: JFLETCHER 2016/01/05		PSD	
APPR: JDWALLACE 2016/01/14		DOC PART	
SERIES		000	
A3-SIZE		REVISION	
93443		B1	
MATERIAL NUMBER		CUSTOMER	
SEE CHART		GENERAL MARKET	
SHEET NUMBER		6 OF 9	



8CCT PLUG CONNECTOR

SERIES NO. 93445 5 - -

CIRCUIT SIZE
5 = 8CCT

ASSEMBLY OPTIONS

- 1 = PLUG ASSEMBLY FOR WIRE JACKET RANGE \varnothing 1.35mm - 3.05mm
- 2 = PLUG ASSEMBLY FOR WIRE JACKET RANGE \varnothing 2.23mm - 3.68mm
- 5 = PLUG ASSEMBLY & HEATSHRINK FOR WIRE JACKET RANGE \varnothing 1.35mm - 3.05mm
- 6 = PLUG ASSEMBLY & HEATSHRINK FOR WIRE JACKET RANGE \varnothing 2.23mm - 3.68mm

KEYING / COLOUR OPTION

- 12 = KEYING OPTION A (GREY)
- 11 = KEYING OPTION A (BLACK)
- 21 = KEYING OPTION B (BLACK)
- 33 = KEYING OPTION C (GREEN)
- 47 = KEYING OPTION D (BROWN)

EXAMPLE:

8CCT PLUG & HEATSHRINK FOR WIRE JACKET RANGE \varnothing 1.35mm-3.05mm, KEYING OPTION A (GREY): 93445-5512

NOTES

1. SEE SHEET 6 FOR UNSPECIFIED NOTES AND DIMENSIONS
2. BACK COVER COLOUR: BLACK
3. HEATSHRINK HOUSING COLOUR: BLACK

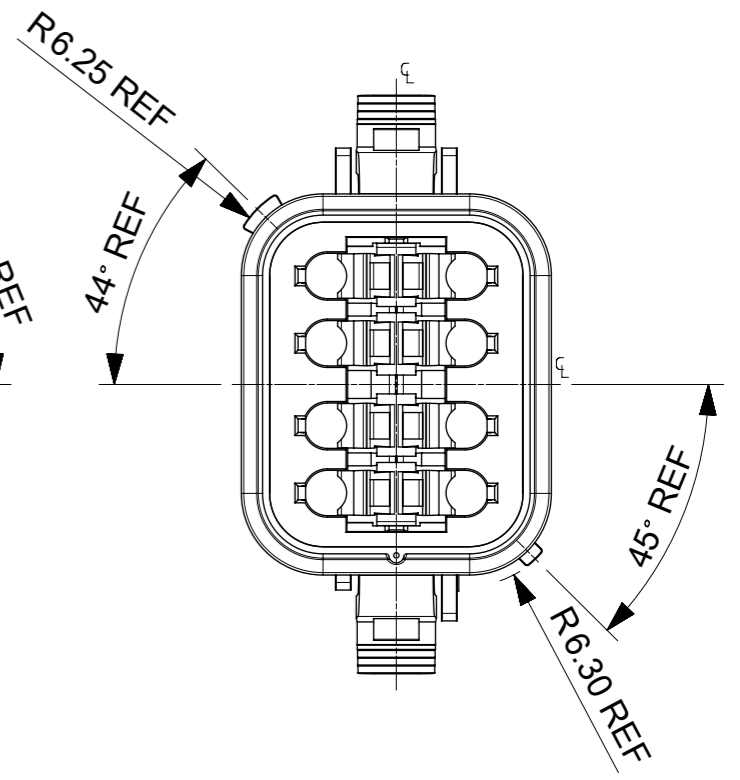
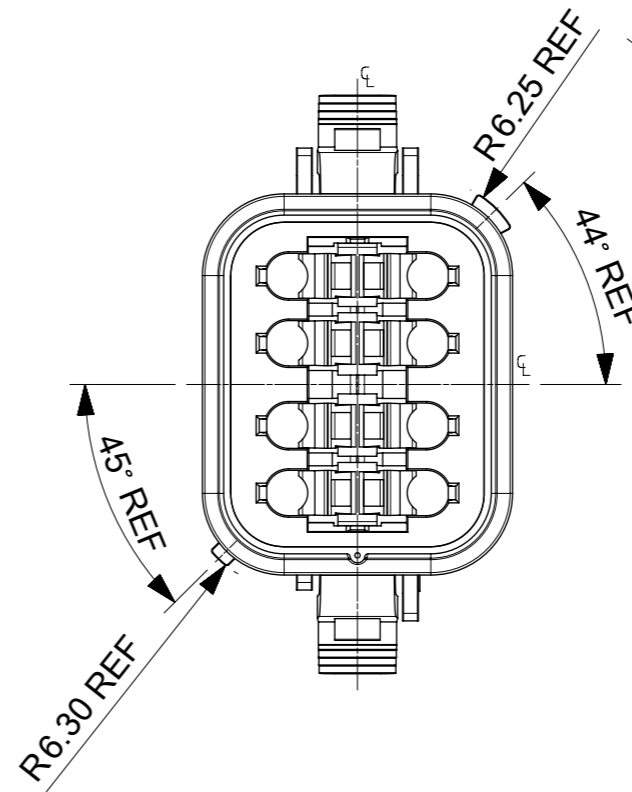
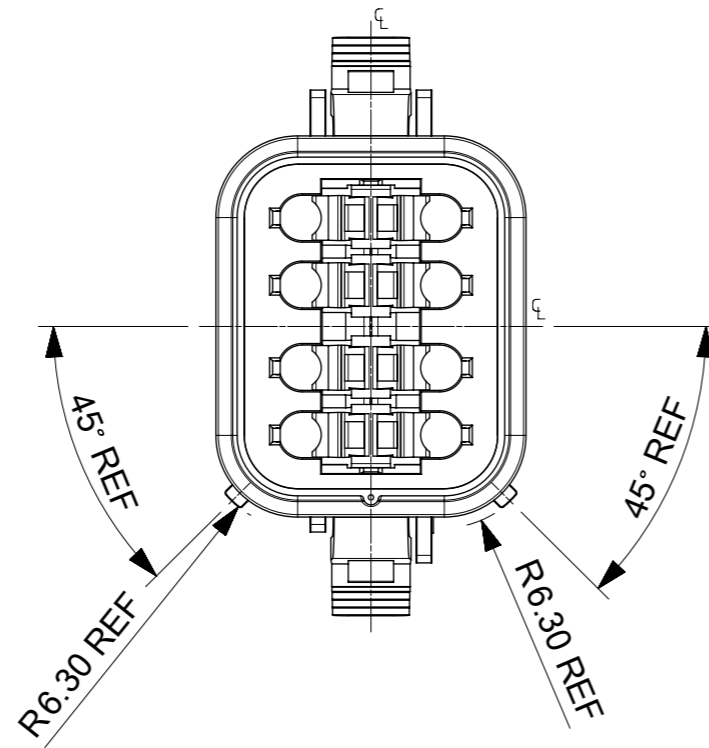
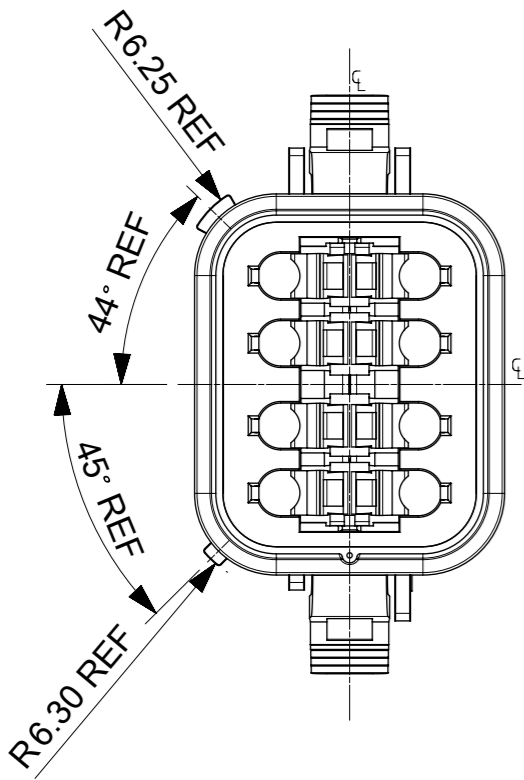
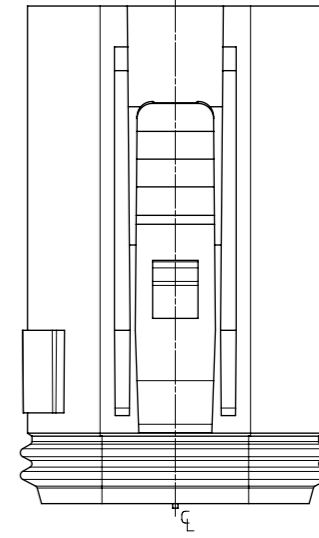
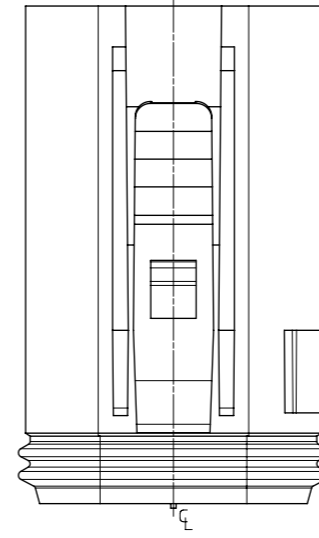
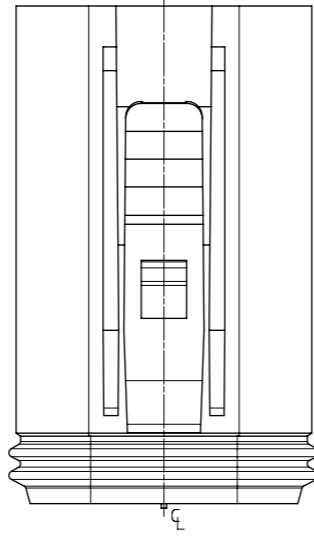
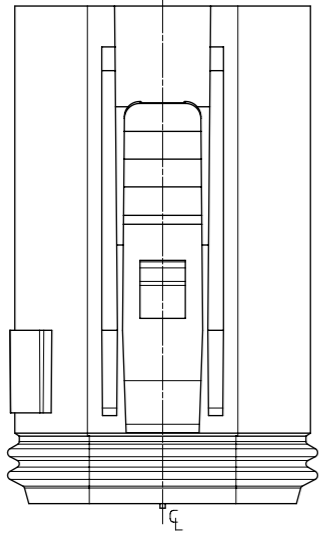
SYMBOLS	THIS DRAWING CONTAINS INFORMATION THAT IS PROPRIETARY TO MOLEX ELECTRONIC TECHNOLOGIES, LLC AND SHOULD NOT BE USED WITHOUT WRITTEN PERMISSION		CURRENT REV DESC: SEE LONG TEXT			molex		
	DIMENSION UNITS	SCALE						
▽ = 0	mm	1.5:1	EC NO: 603808			PRODUCT CUSTOMER DRAWING		
▽ = 0	GENERAL TOLERANCES (UNLESS SPECIFIED)		DRWN: JFLETCHER 2018/09/03			DOCUMENT NUMBER		
▽ = 0	ANGULAR TOL ± 2.0°		CHK'D: JFLETCHER 2018/09/05			DOC TYPE DOC PART REVISION		
▽ = 0	4 PLACES ±		APPR: IOCONNELL 2018/09/14			934430050 PSD 000 B1		
▽ = 0	3 PLACES ±		INITIAL REVISION:			MATERIAL NUMBER		
▽ = 0	2 PLACES ± 0.1		DRWN: JFLETCHER 2016/01/05			CUSTOMER		
▽ = 0	1 PLACE ± 0.2		APPR: JDWALLACE 2016/01/14			SEE CHART		
▽ = 0	0 PLACES ±		THIRD ANGLE PROJECTION			GENERAL MARKET		
■ = 0	DRAFT WHERE APPLICABLE MUST REMAIN WITHIN DIMENSIONS		DRAWING			SHEET NUMBER		
▽ = 0			A3-SIZE			7 OF 9		

KEYING OPTION A

KEYING OPTION B

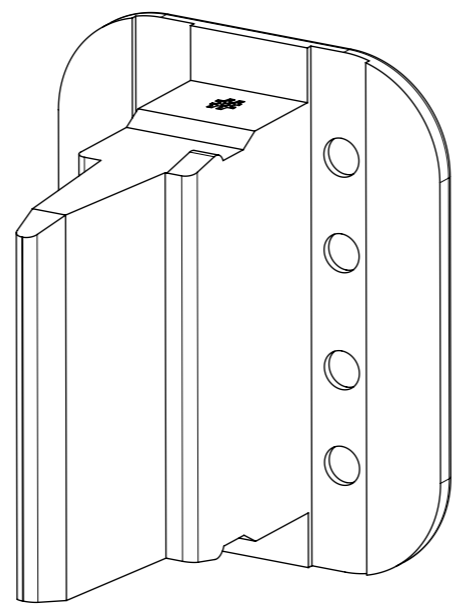
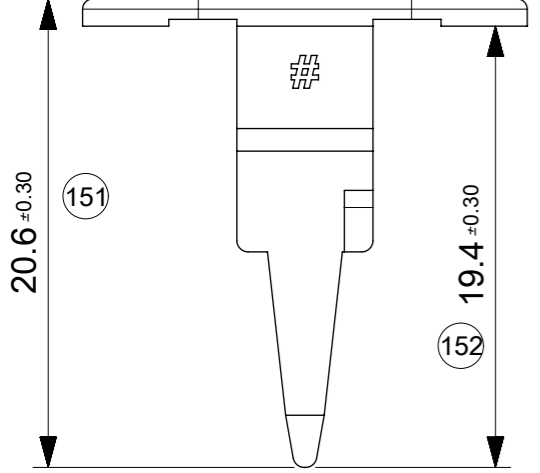
KEYING OPTION C

KEYING OPTION D



NOTES:
1. SEE SHEETS 6 & 7 FOR UNSPECIFIED NOTES & DIMENSIONS

SYMBOLS	THIS DRAWING CONTAINS INFORMATION THAT IS PROPRIETARY TO MOLEX ELECTRONIC TECHNOLOGIES, LLC AND SHOULD NOT BE USED WITHOUT WRITTEN PERMISSION		CURRENT REV DESC: SEE LONG TEXT			molex		
	DIMENSION UNITS	SCALE						
▽ = 0	mm	2:1	EC NO: 603808			8CCT ML-XT CV CONNECTOR SYSTEM		
▽ = 0	GENERAL TOLERANCES (UNLESS SPECIFIED)		DRWN: JFLETCHER 2018/09/03			PRODUCT CUSTOMER DRAWING		
▽ = 0	ANGULAR TOL ± 2.0°		CHK'D: JFLETCHER 2018/09/05			DOCUMENT NUMBER		
▽ = 0	4 PLACES ±		APPR: IOCONNELL 2018/09/14			DOC TYPE DOC PART REVISION		
▽ = 0	3 PLACES ±		INITIAL REVISION:			934430050		
▽ = 0	2 PLACES ± 0.1		DRWN: JFLETCHER 2016/01/05			PSD 000 B1		
▽ = 0	1 PLACE ± 0.2		APPR: JDWALLACE 2016/01/14			MATERIAL NUMBER CUSTOMER		
▽ = 0	0 PLACES ±		THIRD ANGLE PROJECTION			SEE CHART GENERAL MARKET		
▽ = 0	DRAFT WHERE APPLICABLE MUST REMAIN WITHIN DIMENSIONS		DRAWING SERIES			SHEET NUMBER		
▽ = 0			A3-SIZE 93443			8 OF 9		

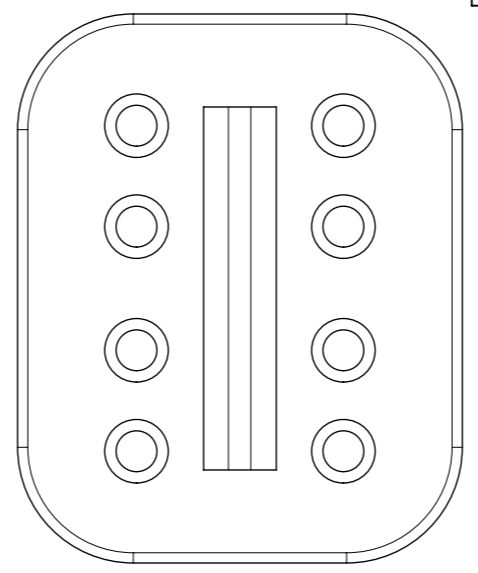
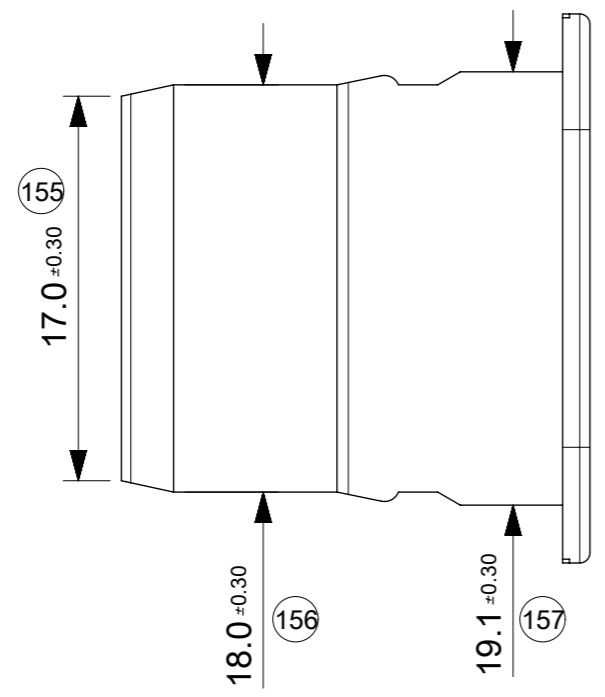
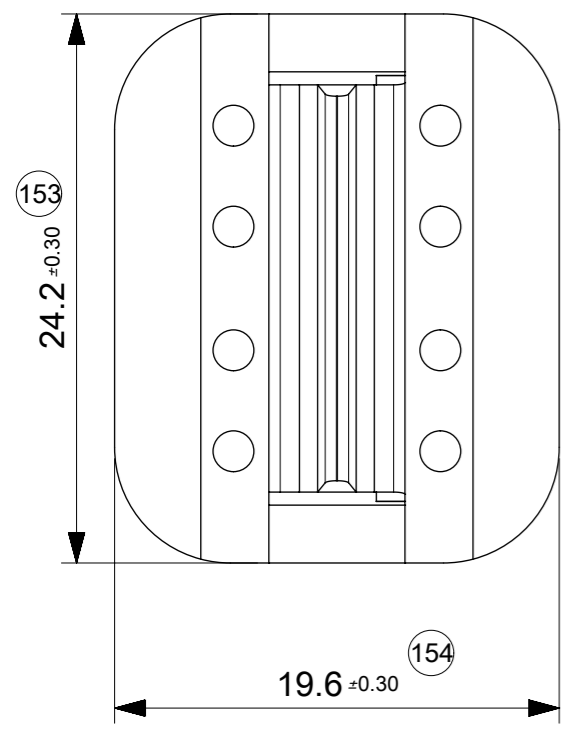


8CCT PLUG WEDGELOCK

SERIES NO. 93448 5 0 --

CIRCUIT SIZE 5 = 8CCT

COLOUR/CODING
03 = GREEN (NO KEY)
08 = ORANGE (NO KEY)



NOTES:
 1. MATERIAL: NYLON, 30% GLASS FILLED
 INSPECTION NUMBERS 151 - 200 USED FOR SHEET 9.
 LAST INSPECTION NUMBER 157

SYMBOLS ▽ = 0 ▽ = 0 ▽ = 0 ▽ = 0 ▽ = 0 ▽ = 0 ▽ = 0 ▽ = 0 ▽ = 0 ▽ = 0 ▽ = 0 ▽ = 0	THIS DRAWING CONTAINS INFORMATION THAT IS PROPRIETARY TO MOLEX ELECTRONIC TECHNOLOGIES, LLC AND SHOULD NOT BE USED WITHOUT WRITTEN PERMISSION	SCALE 3:1	CURRENT REV DESC: SEE LONG TEXT				
	DIMENSION UNITS mm	GENERAL TOLERANCES (UNLESS SPECIFIED)	molex 8CCT ML-XT CV CONNECTOR SYSTEM				
	ANGULAR TOL ± 2.0°	EC NO: 603808 DRWN: JFLETCHER 2018/09/03 CHK'D: JFLETCHER 2018/09/05 APPR: IOCONNELL 2018/09/14					
	4 PLACES ±	INITIAL REVISION:	PRODUCT CUSTOMER DRAWING				
3 PLACES ±	DRWN: JFLETCHER 2016/01/05	DOCUMENT NUMBER	DOC TYPE	DOC PART	REVISION		
2 PLACES ± 0.1	APPR: JDWALLACE 2016/01/14	934430050	PSD	000	B1		
1 PLACE ± 0.2	DRAFT WHERE APPLICABLE MUST REMAIN WITHIN DIMENSIONS	THIRD ANGLE PROJECTION	DRAWING	SERIES	MATERIAL NUMBER	CUSTOMER	SHEET NUMBER
0 PLACES ±			A3-SIZE	93443	SEE CHART	GENERAL MARKET	9 OF 9