

10 9 8 7 6 5 4 3 2 1

F

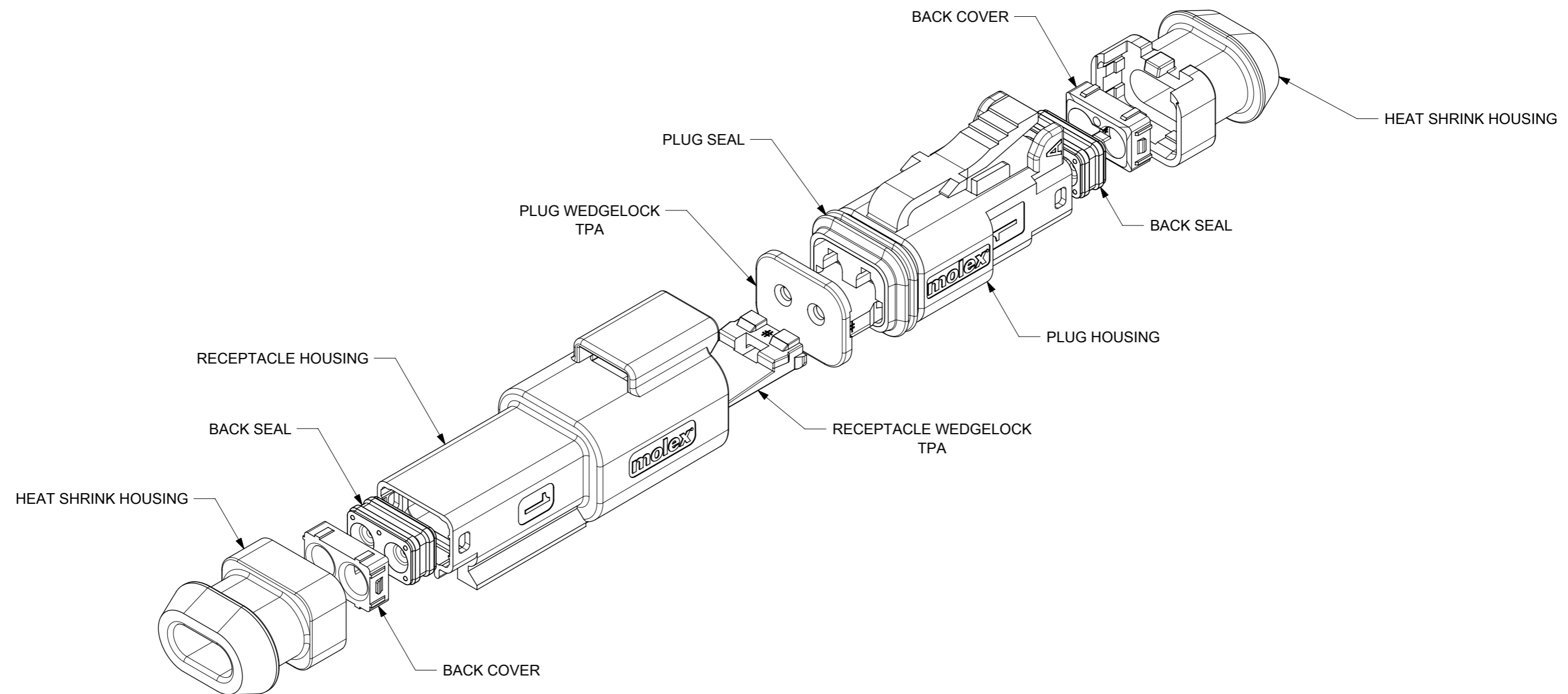
E

D

C

B

A



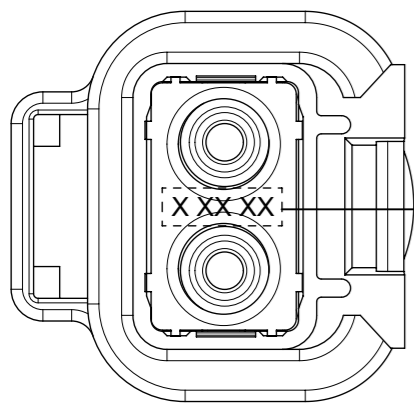
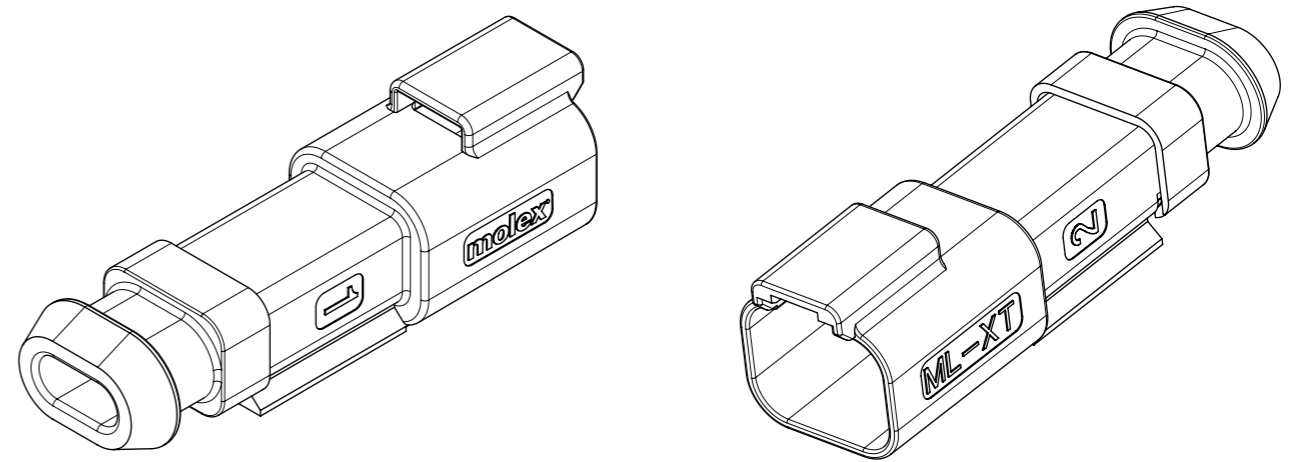
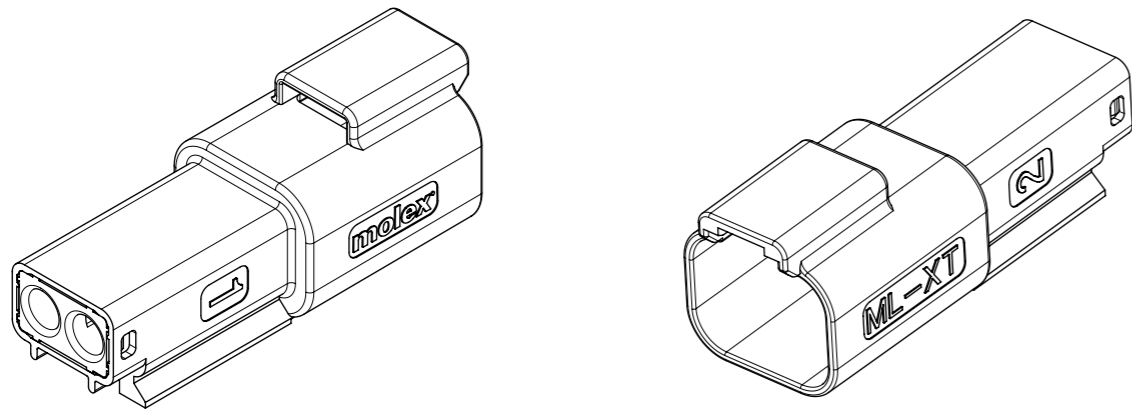
NOTES
 1. SEE SHEETS 2 TO 9 FOR UNSPECIFIED NOTES, DIMENSIONS AND PART NUMBERS

THIS DRAWING CONTAINS INFORMATION THAT IS PROPRIETARY TO MOLEX ELECTRONIC TECHNOLOGIES, LLC AND SHOULD NOT BE USED WITHOUT WRITTEN PERMISSION									
SYMBOLS	DIMENSION UNITS	SCALE	CURRENT REV DESC: SEE LONG TEXT						
	mm	2:1	molex 2CCT ML-XT CV CONNECTOR PRODUCT CUSTOMER DRAWING						
GENERAL TOLERANCES (UNLESS SPECIFIED)									
▽ = 0	ANGULAR TOL ± 2.0°		INITIAL REVISION: DRWN: KREILLY 2015/06/12 APPR: JDWALLACE 2015/09/15						
▽ = 0	4 PLACES ±		DOCUMENT NUMBER		DOC TYPE	DOC PART	REVISION		
▽ = 0	3 PLACES ±		934430010		PSD	000	B1		
▽ = 0	2 PLACES ±	0.1	MATERIAL NUMBER		CUSTOMER		SHEET NUMBER		
▽ = 0	1 PLACE ±	0.2	SEE CHART		GENERAL MARKET		1 OF 9		
▽ = 0	0 PLACES ±		THIRD ANGLE PROJECTION		DRAWING	SERIES			
□ = 0	DRAFT WHERE APPLICABLE MUST REMAIN WITHIN DIMENSIONS		A3-SIZE		93443				
▽ = 0									

10 9 8 7 6 5 4 3 2 1

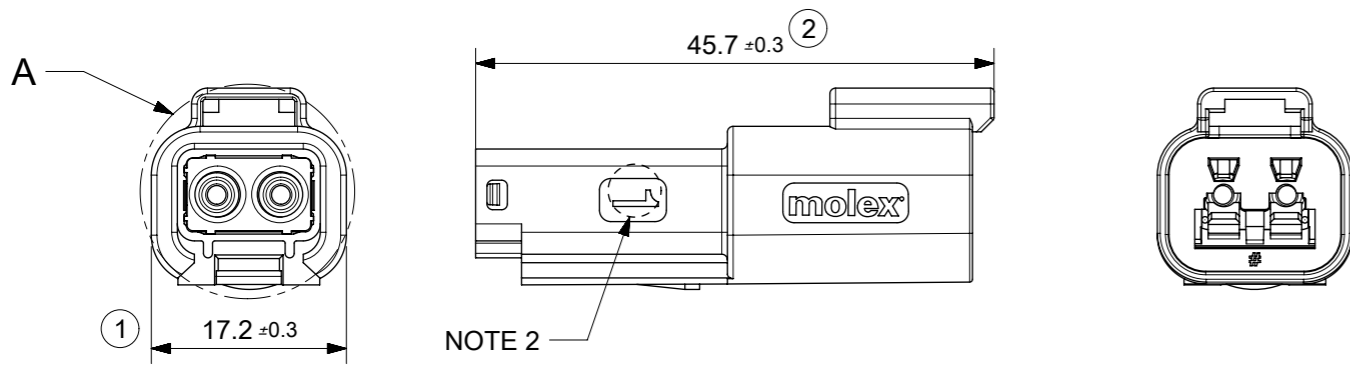
2CCT RECEPTACLE CONNECTOR

2CCT RECEPTACLE CONNECTOR WITH HEATSHRINK HOUSING ULTRASONICALLY WELDED IN PLACE



DATE CODE: X XX XX
 X — DAY: 1- 7
 X — WEEK: 01 - 52
 X — YEAR: 00 - 99
 # — MACHINE NO. 1
 EXAMPLE: 11315 = DAY 1, WEEK 13, YEAR 15
 i.e. 23rd OF MARCH 2015

(ROTATED 90°)
 DETAIL A
 SCALE 3:1

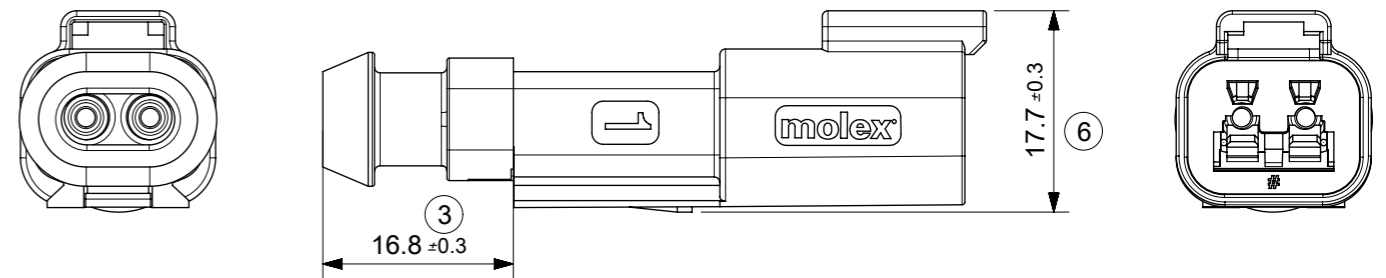
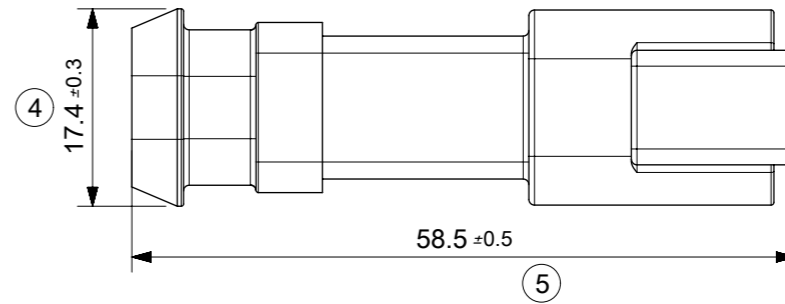


NOTE 2

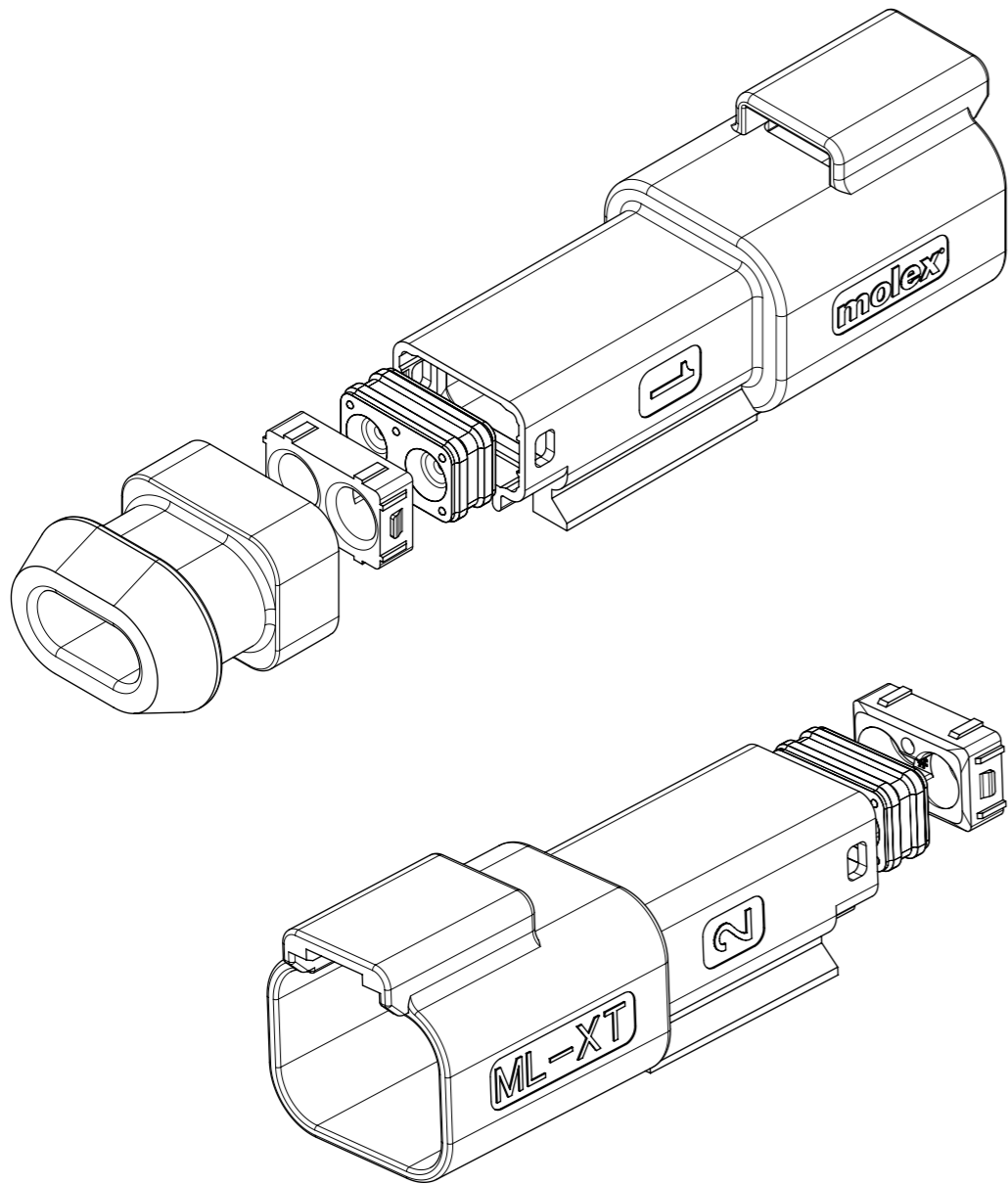
NOTES:

1. MATERIAL
 HOUSING: NYLON 30%GF
 BACK SEAL: HIGH CONSISTENCY RUBBER
2. CIRCUIT IDENTIFICATION
3. JACKET RANGE LARGE = 2.23mm - 3.68mm (SEAL COLOUR: GREEN)
 JACKET RANGE SMALL = 1.20mm - 3.05mm (SEAL COLOUR: BURNT ORANGE)
4. SEE SHEET 3 FOR FINAL PART NUMBER DESIGNATION
5. SEE 934430010 PSP FOR PRODUCT SPECIFICATION
6. SEE 934430002 PSK FOR PACKAGING SPECIFICATION

LAST INSPECTION NUMBER: 6
 INSPECTION NUMBERS 1-50 RESERVED FOR SHEET 2



SYMBOLS		THIS DRAWING CONTAINS INFORMATION THAT IS PROPRIETARY TO MOLEX ELECTRONIC TECHNOLOGIES, LLC AND SHOULD NOT BE USED WITHOUT WRITTEN PERMISSION		CURRENT REV DESC: SEE LONG TEXT		molex	
▽ = 0	mm	SCALE	2:1	EC NO: 603740			
▽ = 0	GENERAL TOLERANCES (UNLESS SPECIFIED)		DRWN: JFLETCHER		2019/05/16	PRODUCT CUSTOMER DRAWING	
▽ = 0	ANGULAR TOL ± 2.0°		CHK'D: AJOBRIEN		2019/07/02	DOCUMENT NUMBER	
▽ = 0	4 PLACES ±	APPR: IOCONNELL		2019/07/24	934430010		DOC TYPE
▽ = 0	3 PLACES ±	INITIAL REVISION:		2015/06/12		PSD	DOC PART
▽ = 0	2 PLACES ± 0.1	DRWN: KREILLY		2015/09/15		000	REVISION
▽ = 0	1 PLACE ± 0.2	APPR: JDWALLACE		2015/09/15		B1	
▽ = 0	0 PLACES ±	DRAFT WHERE APPLICABLE MUST REMAIN WITHIN DIMENSIONS		THIRD ANGLE PROJECTION	DRAWING	SERIES	MATERIAL NUMBER
▽ = 0	THIRD ANGLE PROJECTION		A3-SIZE	93443	SEE CHART	GENERAL MARKET	CUSTOMER
						SHEET NUMBER	
						2 OF 9	



2CCT RECEPTACLE CONNECTOR

SERIES NO. 93444

CIRCUIT SIZE
1 = 2CCT

ASSEMBLY OPTIONS

- 1 = RECEP ASSEMBLY FOR WIRE JACKET RANGE \varnothing 1.20mm - 3.05mm (NOTE 2)
- 2 = RECEP ASSEMBLY FOR WIRE JACKET RANGE: \varnothing 2.23mm - 3.68mm (NOTE 2)
- 5 = RECEP ASSEMBLY & HEATSHR FOR WIRE JACKET RANGE: \varnothing 1.20mm - 3.05mm (NOTE 3)
- 6 = RECEP ASSEMBLY & HEATSHR FOR WIRE JACKET RANGE: \varnothing 2.23mm - 3.68mm (NOTE 3)

COLOUR

- 01 = BLACK 06 = WHITE
- 02 = GREY 07 = BROWN
- 03 = GREEN 08 = ORANGE
- 04 = BLUE 09 = RED
- 05 = YELLOW

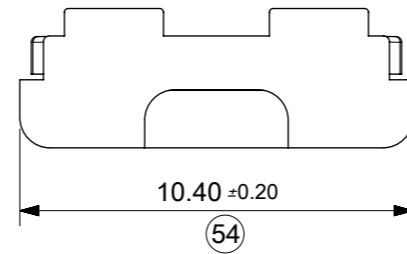
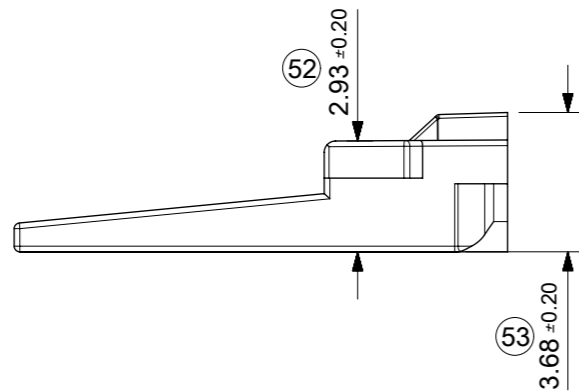
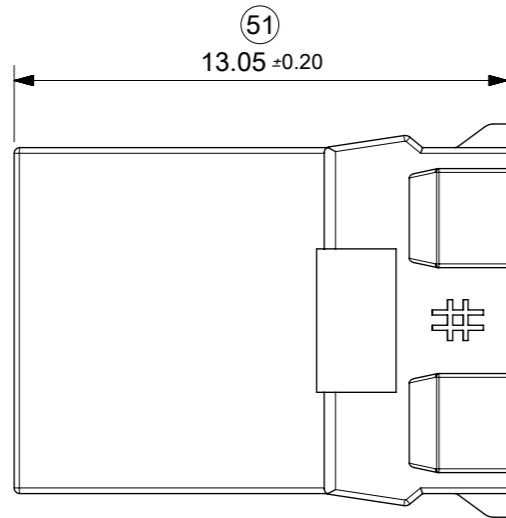
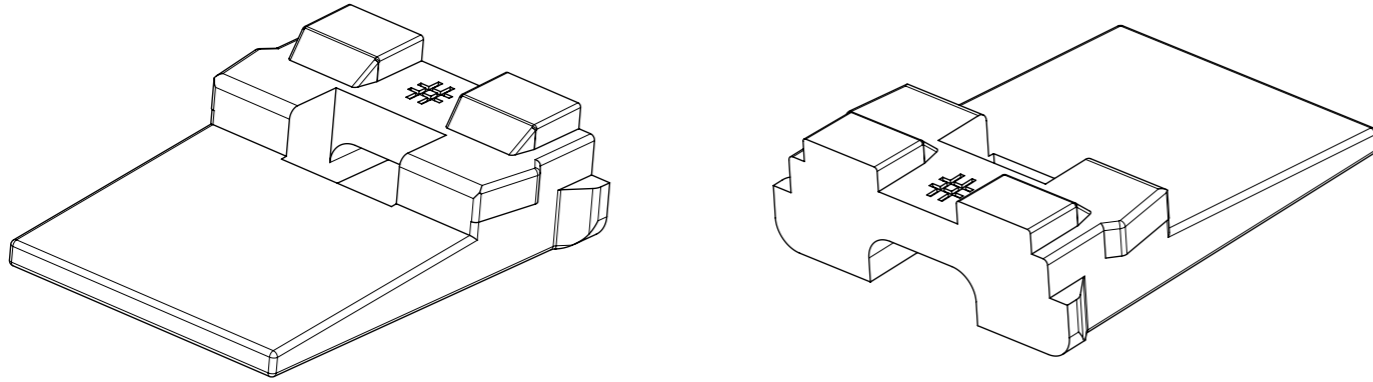
EXAMPLE:

2CCT RECEP BLACK WITH LARGE SEAL (NOTE 4), AND HEATSHRINK = 93444-1601

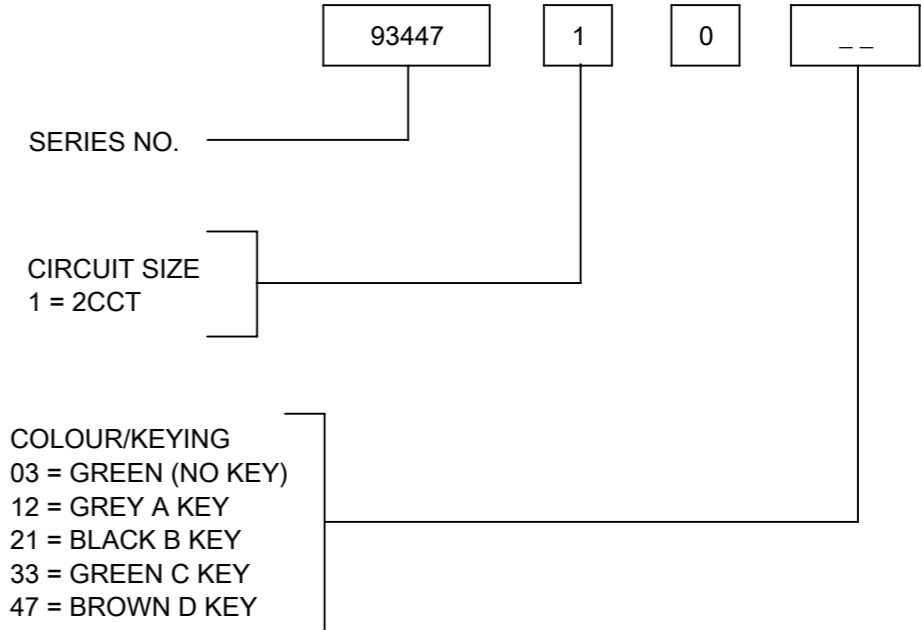
Notes:

- 1. SEE SHEET 2 FOR UNSPECIFIED NOTES AND DIMENSIONS
- 2. BACK COVER COLOUR: BLACK
- 3. HEATSHRINK COLOUR: BLACK
- 4. JACKET RANGE LARGE = 2.23mm - 3.68mm (SEAL COLOUR: GREEN)
- JACKET RANGE SMALL = 1.20mm - 3.05mm (SEAL COLOUR: BURNT ORANGE)

SYMBOLS	THIS DRAWING CONTAINS INFORMATION THAT IS PROPRIETARY TO MOLEX ELECTRONIC TECHNOLOGIES, LLC AND SHOULD NOT BE USED WITHOUT WRITTEN PERMISSION		CURRENT REV DESC: SEE LONG TEXT			molex			
	DIMENSION UNITS	SCALE							2CCT ML-XT CV CONNECTOR
	$\nabla = 0$	mm	2:1	EC NO: 603740			PRODUCT CUSTOMER DRAWING		
	$\nabla = 0$	GENERAL TOLERANCES (UNLESS SPECIFIED)		DRWN: JFLETCHER 2019/05/16			DOCUMENT NUMBER		
$\nabla = 0$	ANGULAR TOL $\pm 2.0^\circ$		CHK'D: AJOBRIEN 2019/07/02			DOC TYPE DOC PART REVISION			
$\nabla = 0$	4 PLACES \pm		APPR: IOCONNELL 2019/07/24			934430010 PSD 000 B1			
$\nabla = 0$	3 PLACES \pm		INITIAL REVISION:			MATERIAL NUMBER			
$\nabla = 0$	2 PLACES ± 0.1		DRWN: KREILLY 2015/06/12			CUSTOMER			
$\nabla = 0$	1 PLACE ± 0.2		APPR: JDWALLACE 2015/09/15			SEE CHART			
$\nabla = 0$	0 PLACES \pm		DRAFT WHERE APPLICABLE MUST REMAIN WITHIN DIMENSIONS			GENERAL MARKET			
$\nabla = 0$	THIRD ANGLE PROJECTION		DRAWING	SERIES	SHEET NUMBER		3 OF 9		
$\nabla = 0$	A3-SIZE		93443	3		1			



2CCT RECEPT WEDGELOCK

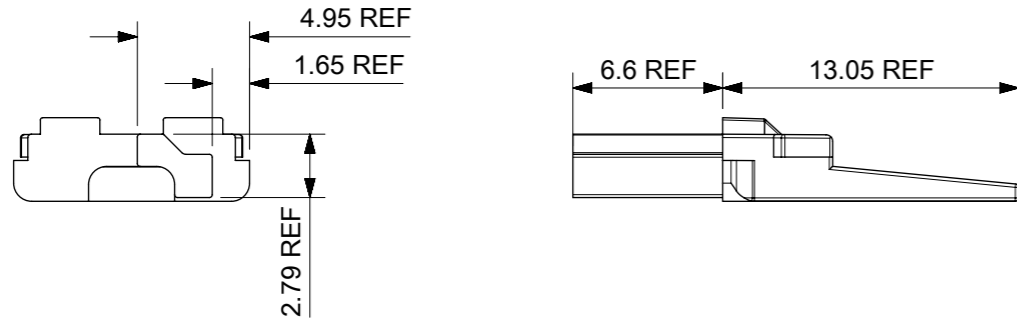
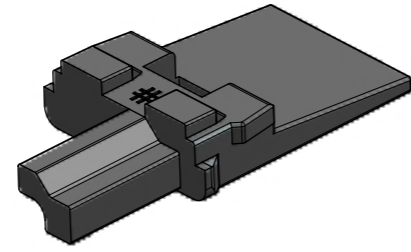


NOTES
 1. MATERIAL NYLON 30%GF
 2. PART NUMBER 934471003 SHOWN

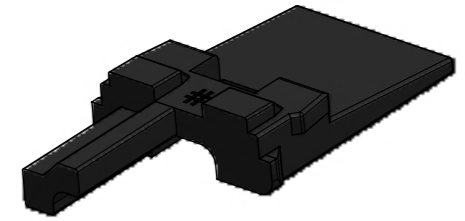
INSPECTION NUMBERS 51-100 RESERVED FOR SHEET 4
 LAST INSPECTION NUMBER 54

SYMBOLS	THIS DRAWING CONTAINS INFORMATION THAT IS PROPRIETARY TO MOLEX ELECTRONIC TECHNOLOGIES, LLC AND SHOULD NOT BE USED WITHOUT WRITTEN PERMISSION		CURRENT REV DESC: SEE LONG TEXT				
	DIMENSION UNITS	SCALE					
▽ = 0	mm	2:1			2CCT ML-XT CV CONNECTOR		
▽ = 0	GENERAL TOLERANCES (UNLESS SPECIFIED)				PRODUCT CUSTOMER DRAWING		
▽ = 0	ANGULAR TOL ± 2.0°				DOCUMENT NUMBER		
▽ = 0	4 PLACES ±		EC NO: 603740		934430010		
▽ = 0	3 PLACES ±		DRWN: JFLETCHER 2019/05/16		DOC TYPE		
▽ = 0	2 PLACES ± 0.1		CHK'D: AJOBRIEN 2019/07/02		PSD		
▽ = 0	1 PLACE ± 0.2		APPR: IOCONNELL 2019/07/24		DOC PART		
▽ = 0	0 PLACES ±		INITIAL REVISION:		REVISION		
☒ = 0	DRAFT WHERE APPLICABLE MUST REMAIN WITHIN DIMENSIONS		DRWN: KREILLY 2015/06/12		B1		
▽ = 0	THIRD ANGLE PROJECTION		APPR: JDWALLACE 2015/09/15		SHEET NUMBER		
			DRAWING		4 OF 9		
			SERIES				
			MATERIAL NUMBER				
			CUSTOMER				
			A3-SIZE				
			93443				
			SEE CHART				
			GENERAL MARKET				

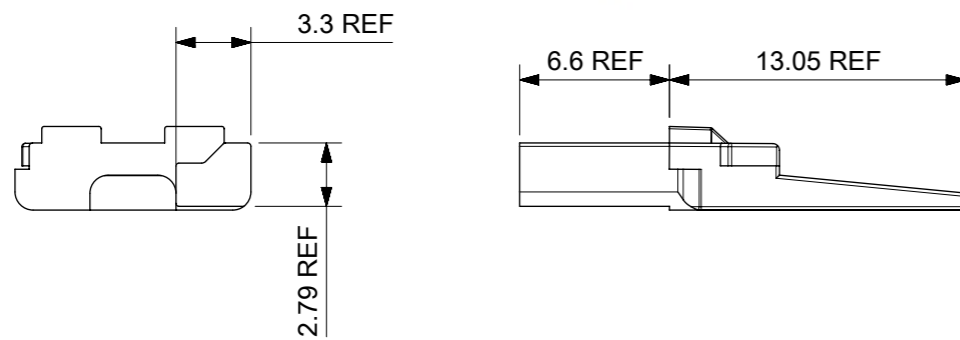
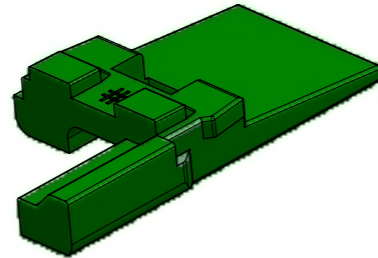
934471012 (KEY A)
COLOUR GREY



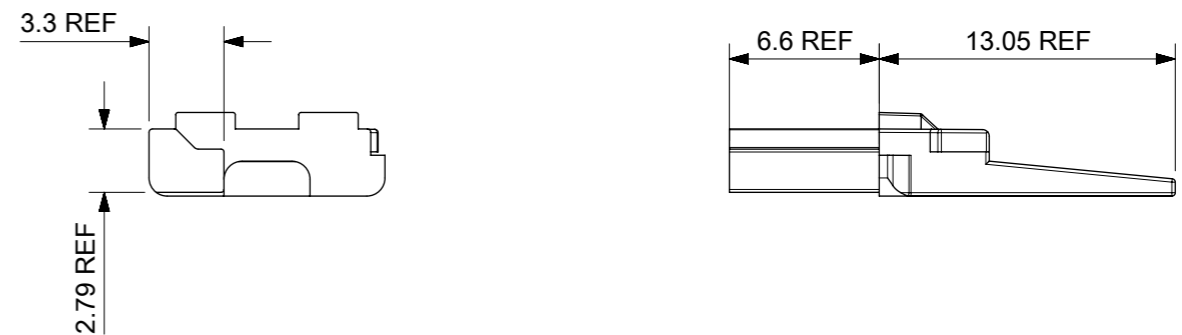
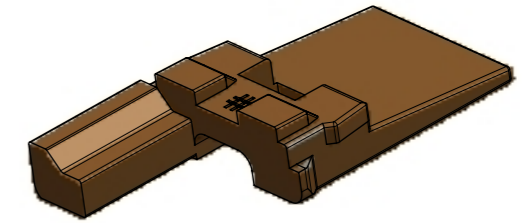
934471021 (KEY B)
COLOUR BLACK



934471033 (KEY C)
COLOUR GREEN



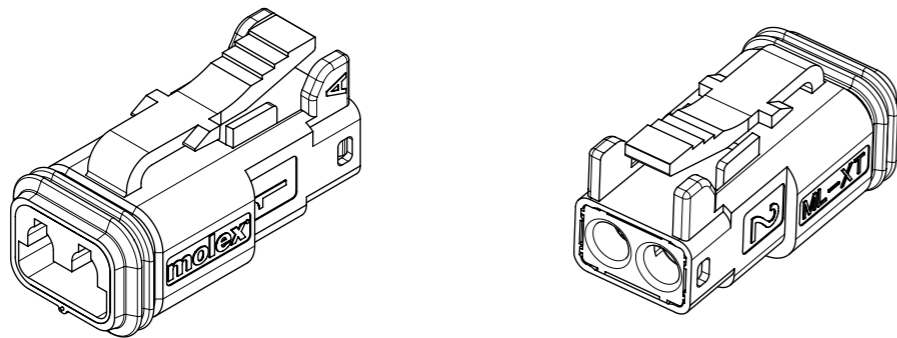
934471047 (KEY D)
COLOUR BROWN



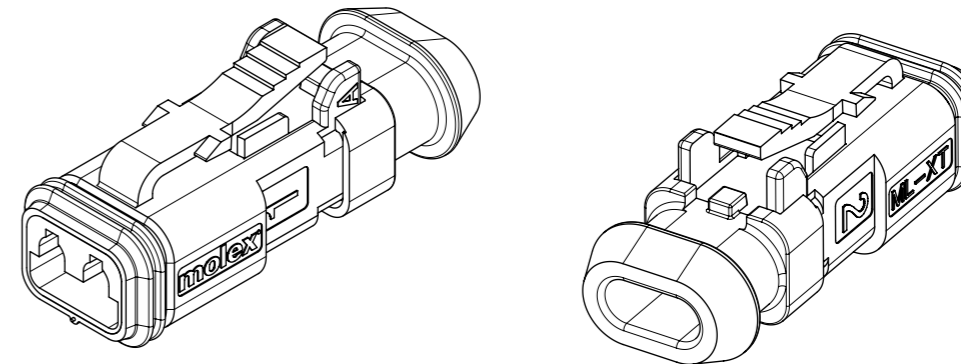
NOTES:
1. MATERIAL PA66 30%GF
2. SEE SHEET 4 FOR UNSPECIFIED NOTES & DIMENSIONS

SYMBOLS	THIS DRAWING CONTAINS INFORMATION THAT IS PROPRIETARY TO MOLEX ELECTRONIC TECHNOLOGIES, LLC AND SHOULD NOT BE USED WITHOUT WRITTEN PERMISSION		CURRENT REV DESC: SEE LONG TEXT			molex		
	DIMENSION UNITS	SCALE						
▽ = 0	mm	2:1	EC NO: 603740			2CCT ML-XT CV CONNECTOR		
▽ = 0	GENERAL TOLERANCES (UNLESS SPECIFIED)		DRWN: JFLETCHER 2019/05/16			PRODUCT CUSTOMER DRAWING		
▽ = 0	ANGULAR TOL ± 2.0°		CHK'D: AJOBRIEN 2019/07/02			934430010		
▽ = 0	4 PLACES ±		APPR: IOCONNELL 2019/07/24			PSD 000 B1		
▽ = 0	3 PLACES ±		INITIAL REVISION:			SEE CHART		
▽ = 0	2 PLACES ± 0.1		DRWN: KREILLY 2015/06/12			GENERAL MARKET		
▽ = 0	1 PLACE ± 0.2		APPR: JDWALLACE 2015/09/15			5 OF 9		
▽ = 0	0 PLACES ±		DRAFT WHERE APPLICABLE MUST REMAIN WITHIN DIMENSIONS			SHEET NUMBER		
□ = 0	THIRD ANGLE PROJECTION		DRAWING		SERIES	MATERIAL NUMBER		CUSTOMER
□ = 0	DRAFT WHERE APPLICABLE MUST REMAIN WITHIN DIMENSIONS		A3-SIZE		93443	SEE CHART		GENERAL MARKET

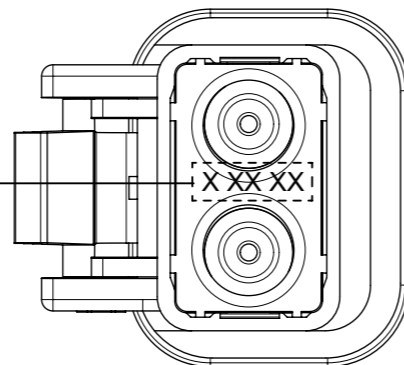
2CCT PLUG CONNECTOR



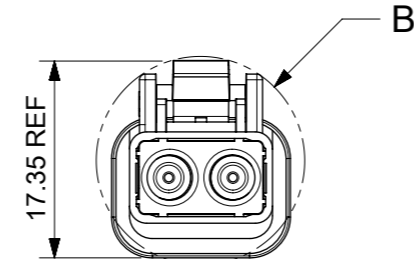
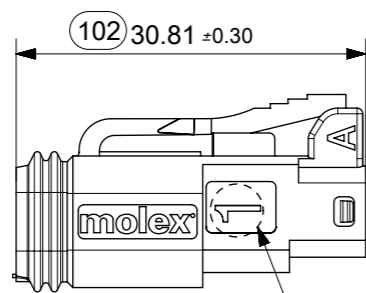
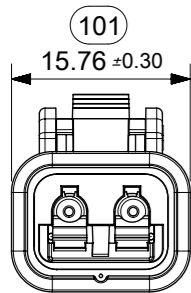
2CCT PLUG CONNECTOR WITH HEATSHRINK HOUSING ULTRASONICALLY WELDED IN PLACE



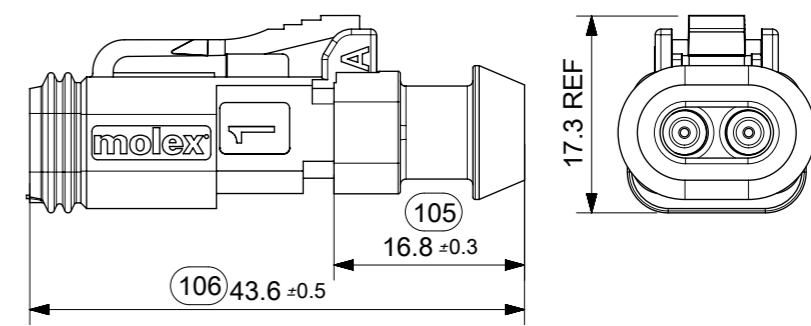
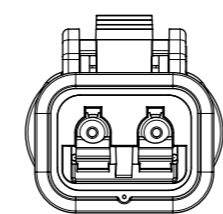
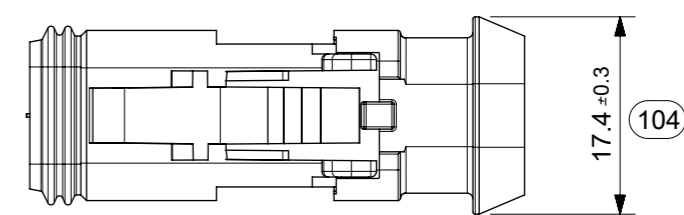
DATE CODE: X XX XX
 X — DAY: 1 - 7
 X — WEEK: 01 - 52
 X — YEAR: 00 - 99
 # — MACHINE NO. 1
 EXAMPLE: 11315 = DAY 1, WEEK 13, YEAR 15
 i.e. 23RD OF MARCH 2015



(ROTATED 90°)
 DETAIL B
 SCALE 3:1



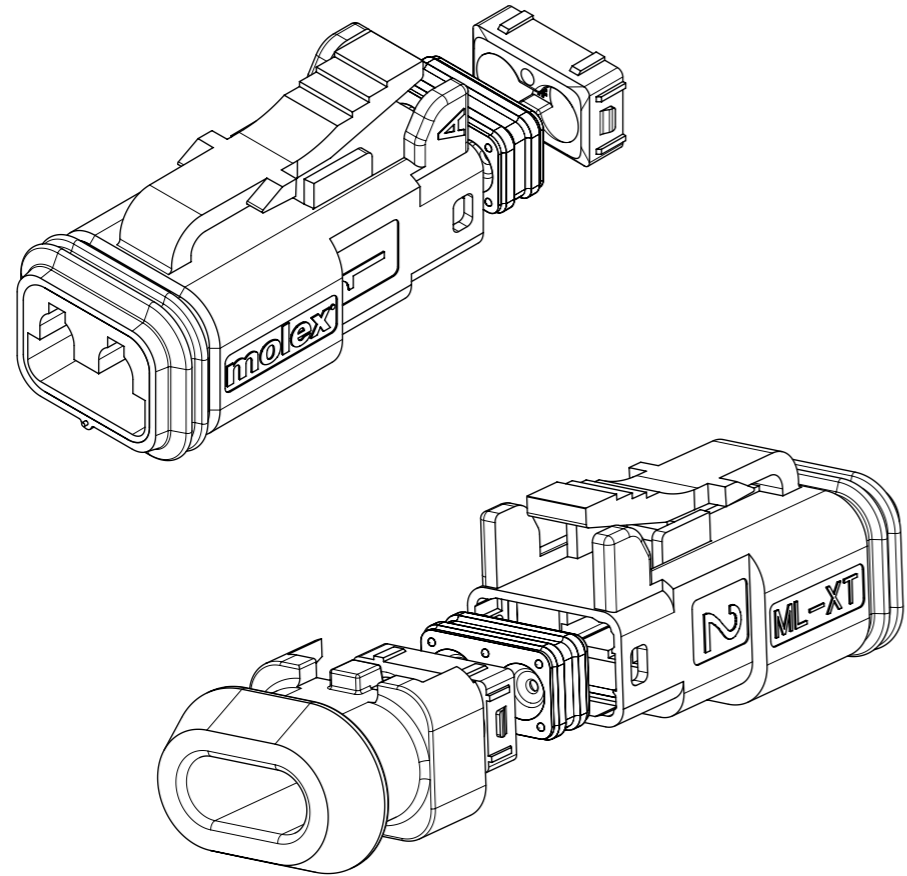
NOTE 2



- NOTES
- MATERIAL
 HOUSING: NYLON 30%GF
 PLUG SEAL: SILICONE RUBBER
 BACK SEAL: HIGH CONSISTENCY RUBBER
 - CIRCUIT IDENTIFICATION
 - JACKET RANGE LARGE = 2.23mm - 3.68mm (SEAL COLOUR: GREEN)
 JACKET RANGE SMALL = 1.20mm - 3.05mm (SEAL COLOUR: BURNT ORANGE)
 - SEE SHEET 7 FOR FINAL PART NUMBER DESIGNATION

INSPECTION NUMBERS 101-150 RESERVED FOR SHEET 6
 LAST INSPECTION NUMBER 106.
 INSPECTION NUMBERS 103 & 107 DELETED.

SYMBOLS		THIS DRAWING CONTAINS INFORMATION THAT IS PROPRIETARY TO MOLEX ELECTRONIC TECHNOLOGIES, LLC AND SHOULD NOT BE USED WITHOUT WRITTEN PERMISSION		CURRENT REV DESC: SEE LONG TEXT		molex	
▽ = 0	mm	SCALE	2:1				
▽ = 0	GENERAL TOLERANCES (UNLESS SPECIFIED)				EC NO: 603740		2CCT ML-XT CV CONNECTOR
▽ = 0	ANGULAR TOL ± 2.0°				DRWN: JFLETCHER 2019/05/16		
▽ = 0	4 PLACES ±			CHK'D: AJOBRIEN 2019/07/02		PRODUCT CUSTOMER DRAWING	
▽ = 0	3 PLACES ±			APPR: IOCONNELL 2019/07/24		DOCUMENT NUMBER	
▽ = 0	2 PLACES ± 0.1			INITIAL REVISION:		934430010	
▽ = 0	1 PLACE ± 0.2			DRWN: KREILLY 2015/06/12		DOC TYPE DOC PART REVISION	
▽ = 0	0 PLACES ±			APPR: JDWALLACE 2015/09/15		PSD 000 B1	
■ = 0	DRAFT WHERE APPLICABLE MUST REMAIN WITHIN DIMENSIONS		THIRD ANGLE PROJECTION	DRAWING	SERIES	MATERIAL NUMBER	CUSTOMER
▽ = 0				A3-SIZE	93443	SEE CHART	GENERAL MARKET
						SHEET NUMBER	
						6 OF 9	



2CCT PLUG CONNECTOR

SERIES NO. 93445 1 - --

CIRCUIT SIZE
1 = 2CCT

KEYING/ASSY OPTIONS

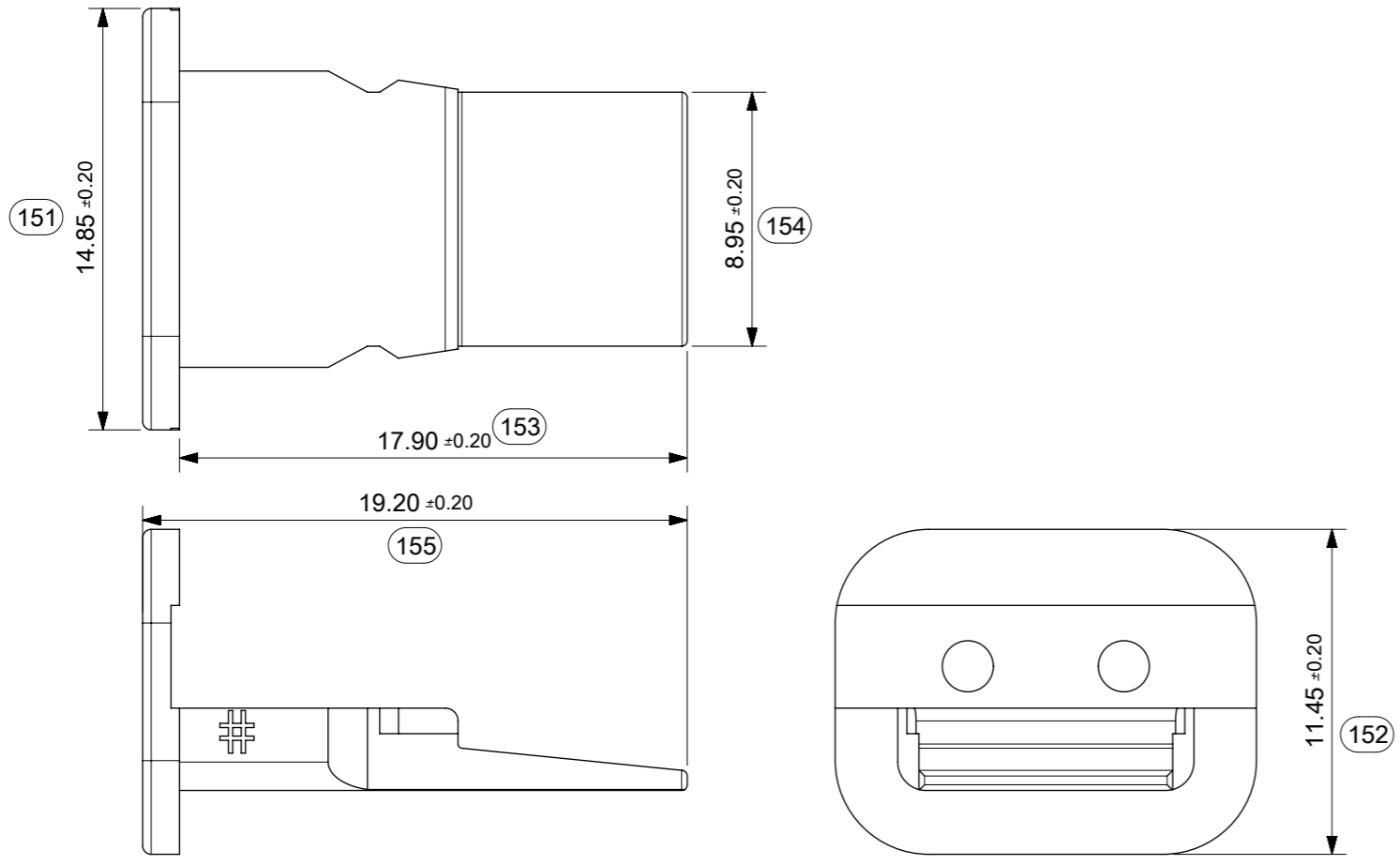
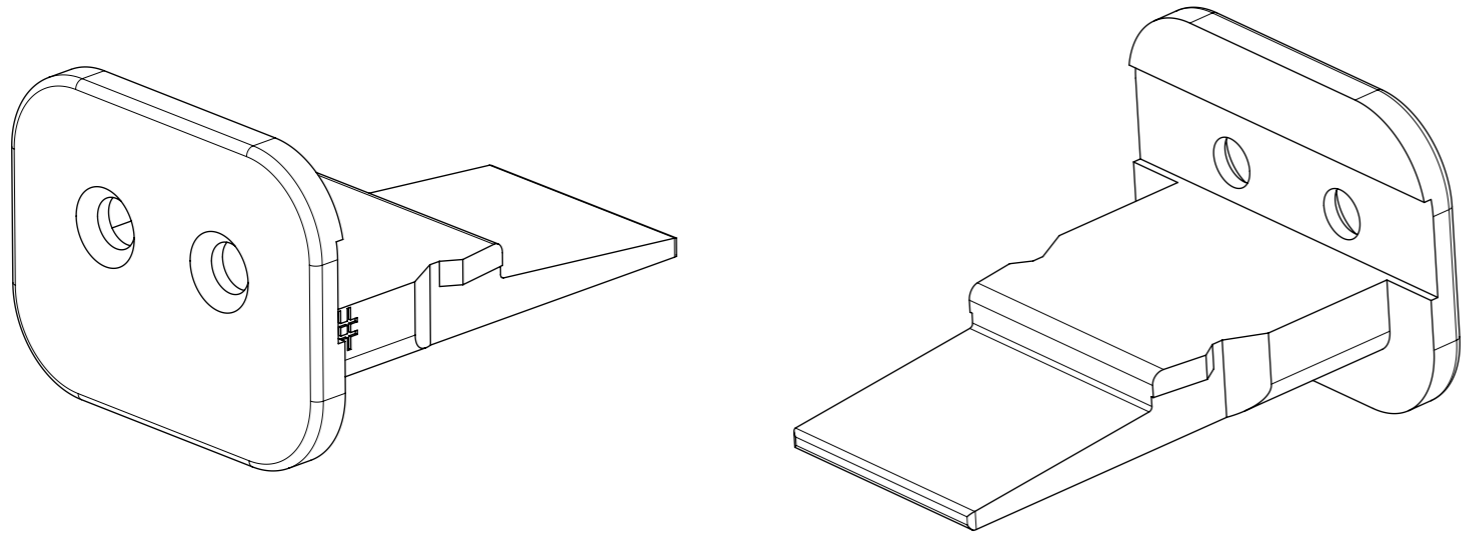
- 1 = PLUG ASSEMBLY FOR WIRE JACKET RANGE \varnothing 1.20mm - 3.05mm (NOTE 2)
- 2 = PLUG ASSEMBLY FOR WIRE JACKET RANGE: \varnothing 2.23mm - 3.68mm (NOTE 2)
- 5 = PLUG ASSEMBLY & HEATSHR FOR WIRE JACKET RANGE: \varnothing 1.20mm - 3.05mm (NOTE 3)
- 6 = PLUG ASSEMBLY & HEATSHR FOR WIRE JACKET RANGE: \varnothing 2.23mm - 3.68mm (NOTE 3)

- COLOUR
- 01 = BLACK
 - 02 = GREY
 - 03 = GREEN
 - 04 = BLUE
 - 05 = YELLOW
 - 06 = WHITE
 - 07 = BROWN
 - 08 = ORANGE
 - 09 = RED

EXAMPLE:
2CCT PLUG BLACK WITH LARGE SEAL (NOTE 4), AND HEATSHRINK = 93445-1601

- Notes:
1. SEE SHEET 2 FOR UNSPECIFIED NOTES AND DIMENSIONS
 2. BACK COVER COLOUR: BLACK
 3. HEATSHRINK COLOUR: BLACK
 4. JACKET RANGE LARGE = 2.23mm - 3.68mm (SEAL COLOUR: GREEN)
JACKET RANGE SMALL = 1.20mm - 3.05mm (SEAL COLOUR: BURNT ORANGE)

SYMBOLS	THIS DRAWING CONTAINS INFORMATION THAT IS PROPRIETARY TO MOLEX ELECTRONIC TECHNOLOGIES, LLC AND SHOULD NOT BE USED WITHOUT WRITTEN PERMISSION		CURRENT REV DESC: SEE LONG TEXT			molex		
	DIMENSION UNITS	SCALE						
▽ = 0	mm	2:1	EC NO: 603740			DOCUMENT NUMBER		
▽ = 0	GENERAL TOLERANCES (UNLESS SPECIFIED)		DRWN: JFLETCHER 2019/05/16			934430010		
▽ = 0	ANGULAR TOL ± 2.0°		CHK'D: AJOBRIEN 2019/07/02			DOC TYPE DOC PART REVISION		
▽ = 0	4 PLACES ±		APPR: IOCONNELL 2019/07/24			PSD 000 B1		
▽ = 0	3 PLACES ±		INITIAL REVISION:			MATERIAL NUMBER		
▽ = 0	2 PLACES ± 0.1		DRWN: KREILLY 2015/06/12			CUSTOMER		
▽ = 0	1 PLACE ± 0.2		APPR: JDWALLACE 2015/09/15			GENERAL MARKET		
▽ = 0	0 PLACES ±		DRAFT WHERE APPLICABLE MUST REMAIN WITHIN DIMENSIONS			SHEET NUMBER		
▽ = 0	THIRD ANGLE PROJECTION		DRAWING		SERIES		SEE CHART	
▽ = 0	A3-SIZE		93443		7 OF 9			



2CCT PLUG WEDGELOCK

SERIES NO. 93448 1 0 --

CIRCUIT SIZE 1 = 2CCT

COLOUR/KEYING

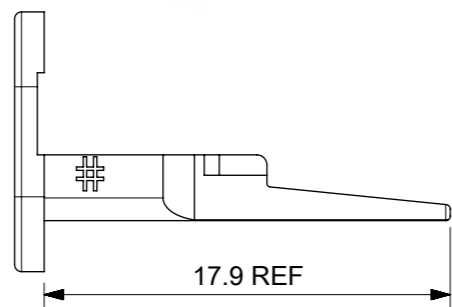
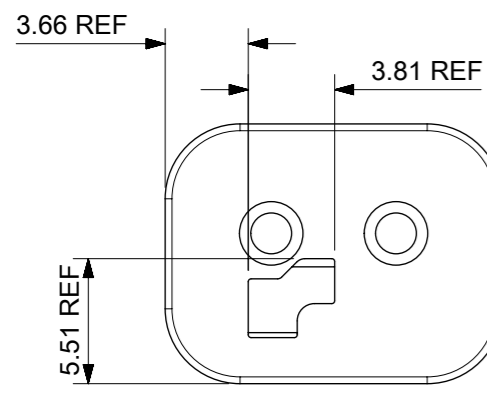
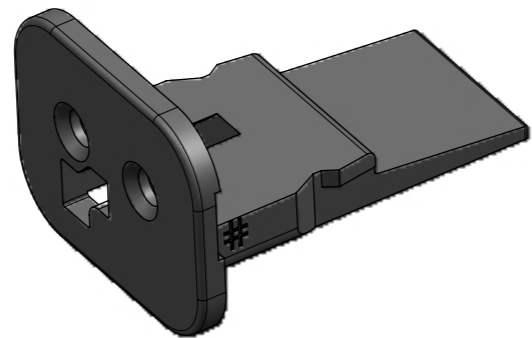
- 03 = GREEN (NO KEY)
- 08 = ORANGE (NO KEY)
- 12 = GREY A KEY
- 21 = BLACK B KEY
- 33 = GREEN C KEY
- 47 = BROWN D KEY

NOTES
 1. MATERIAL NYLON 30%GF
 2. PART NUMBER 934481003 SHOWN

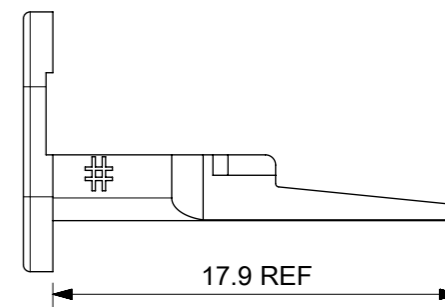
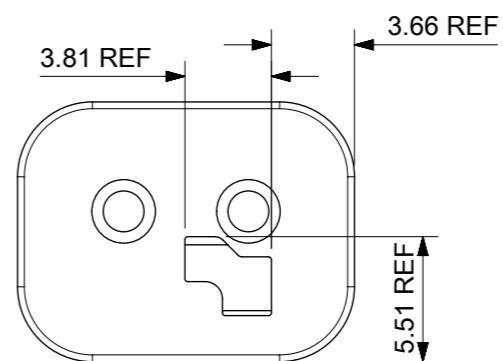
INSPECTION NUMBERS 151-200 RESERVED FOR SHEET 8
 LAST INSPECTION NUMBER 155

SYMBOLS ▽ = 0 ▽ = 0 ▽ = 0 ▽ = 0 ▽ = 0 ▽ = 0 ▽ = 0 ▽ = 0 ▽ = 0 ▽ = 0 ▽ = 0 ▽ = 0 ▽ = 0 ▽ = 0 ▽ = 0	THIS DRAWING CONTAINS INFORMATION THAT IS PROPRIETARY TO MOLEX ELECTRONIC TECHNOLOGIES, LLC AND SHOULD NOT BE USED WITHOUT WRITTEN PERMISSION	SCALE 2:1	CURRENT REV DESC: SEE LONG TEXT					
	DIMENSION UNITS mm	GENERAL TOLERANCES (UNLESS SPECIFIED)			2CCT ML-XT CV CONNECTOR			
	ANGULAR TOL ± 2.0°	EC NO: 603740			DOCUMENT NUMBER			
	4 PLACES ±	DRWN: JFLETCHER 2019/05/16			934430010			
3 PLACES ±	CHK'D: AJOBRIEN 2019/07/02			DOC TYPE				
2 PLACES ± 0.1	APPR: IOCONNELL 2019/07/24			DOC PART				
1 PLACE ± 0.2	INITIAL REVISION:			REVISION				
0 PLACES ±	DRWN: KREILLY 2015/06/12			000				
DRAFT WHERE APPLICABLE MUST REMAIN WITHIN DIMENSIONS	APPR: JDWALLACE 2015/09/15			B1				
THIRD ANGLE PROJECTION	DRAWING	SERIES	MATERIAL NUMBER	CUSTOMER	SHEET NUMBER			
	A3-SIZE	93443	SEE CHART	GENERAL MARKET	8 OF 9			

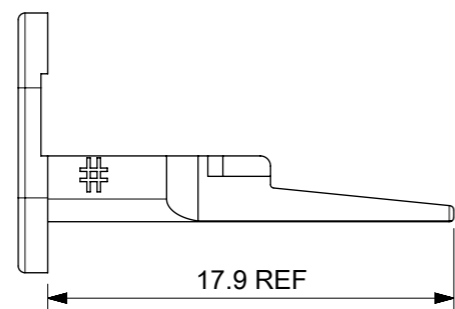
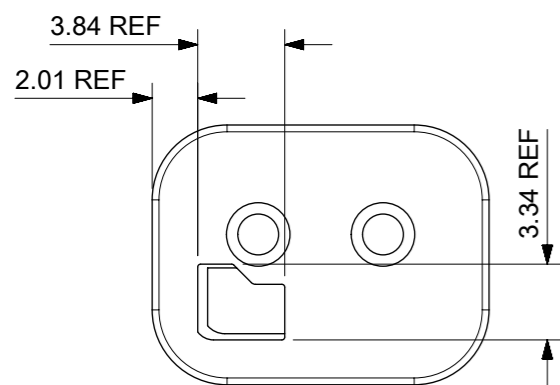
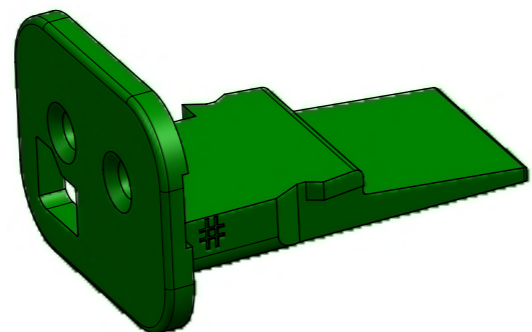
934481012 (KEY A)
COLOUR GREY



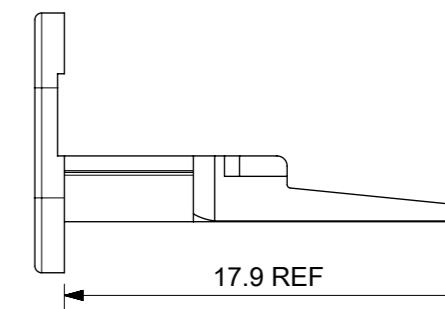
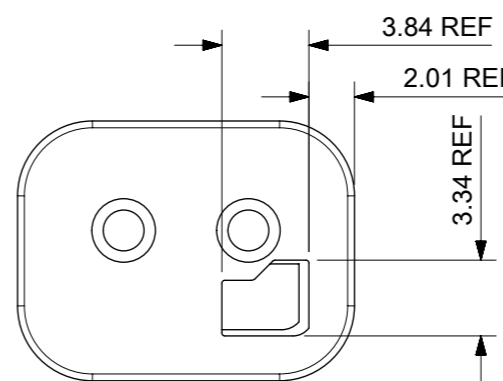
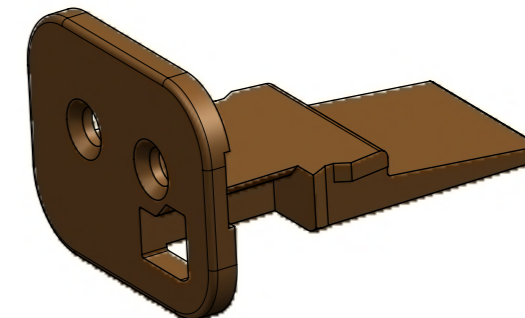
934481021 (KEY B)
COLOUR BLACK



934481033 (KEY C)
COLOUR GREEN



934481047 (KEY D)
COLOUR BROWN



NOTES:
1. MATERIAL PA66 30%GF
2. SEE SHEET 8 FOR UNSPECIFIED NOTES & DIMENSIONS

SYMBOLS	THIS DRAWING CONTAINS INFORMATION THAT IS PROPRIETARY TO MOLEX ELECTRONIC TECHNOLOGIES, LLC AND SHOULD NOT BE USED WITHOUT WRITTEN PERMISSION		CURRENT REV DESC: SEE LONG TEXT			molex		
	DIMENSION UNITS	SCALE	EC NO: 603740					
▽ = 0	mm	2:1	DRWN: JFLETCHER 2019/05/16			PRODUCT CUSTOMER DRAWING		
▽ = 0	GENERAL TOLERANCES (UNLESS SPECIFIED)		CHK'D: AJOBRIEN 2019/07/02			DOCUMENT NUMBER		
▽ = 0	ANGULAR TOL ± 2.0°		APPR: IOCONNELL 2019/07/24			DOC TYPE DOC PART REVISION		
▽ = 0	4 PLACES ±		INITIAL REVISION:			934430010		
▽ = 0	3 PLACES ±		DRWN: KREILLY 2015/06/12			PSD 000 B1		
▽ = 0	2 PLACES ± 0.1		APPR: JDWALLACE 2015/09/15			MATERIAL NUMBER CUSTOMER		
▽ = 0	1 PLACE ± 0.2		DRAFT WHERE APPLICABLE MUST REMAIN WITHIN DIMENSIONS			SEE CHART GENERAL MARKET		
▽ = 0	0 PLACES ±		THIRD ANGLE PROJECTION			SHEET NUMBER		
▽ = 0	DRAFT WHERE APPLICABLE MUST REMAIN WITHIN DIMENSIONS		DRAWING SERIES			9 OF 9		
▽ = 0			A3-SIZE 93443					