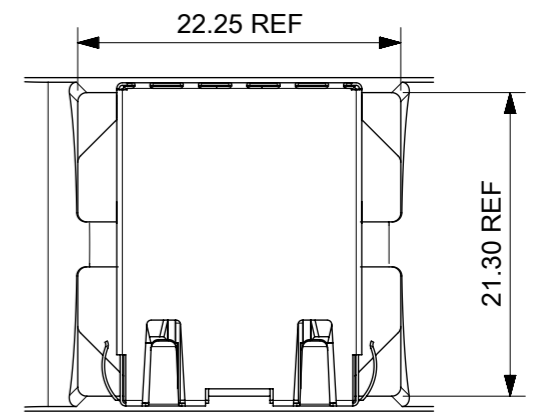
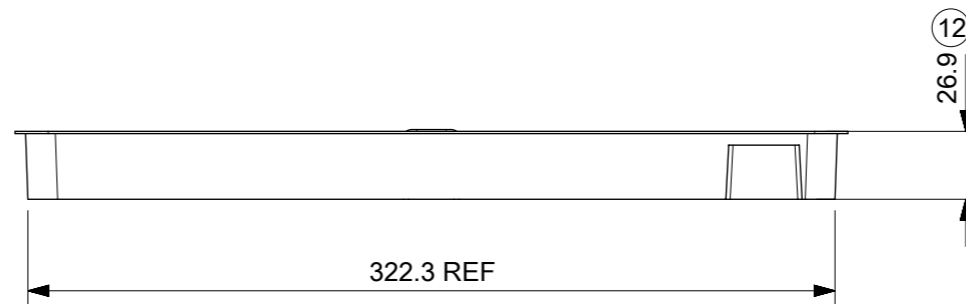
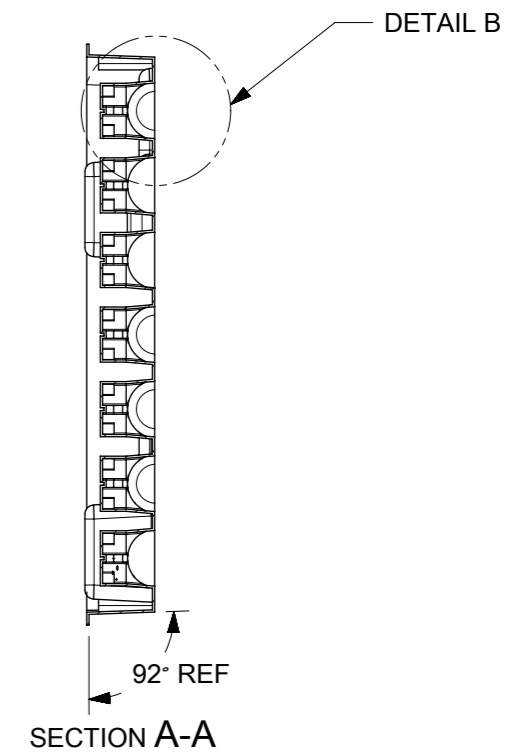
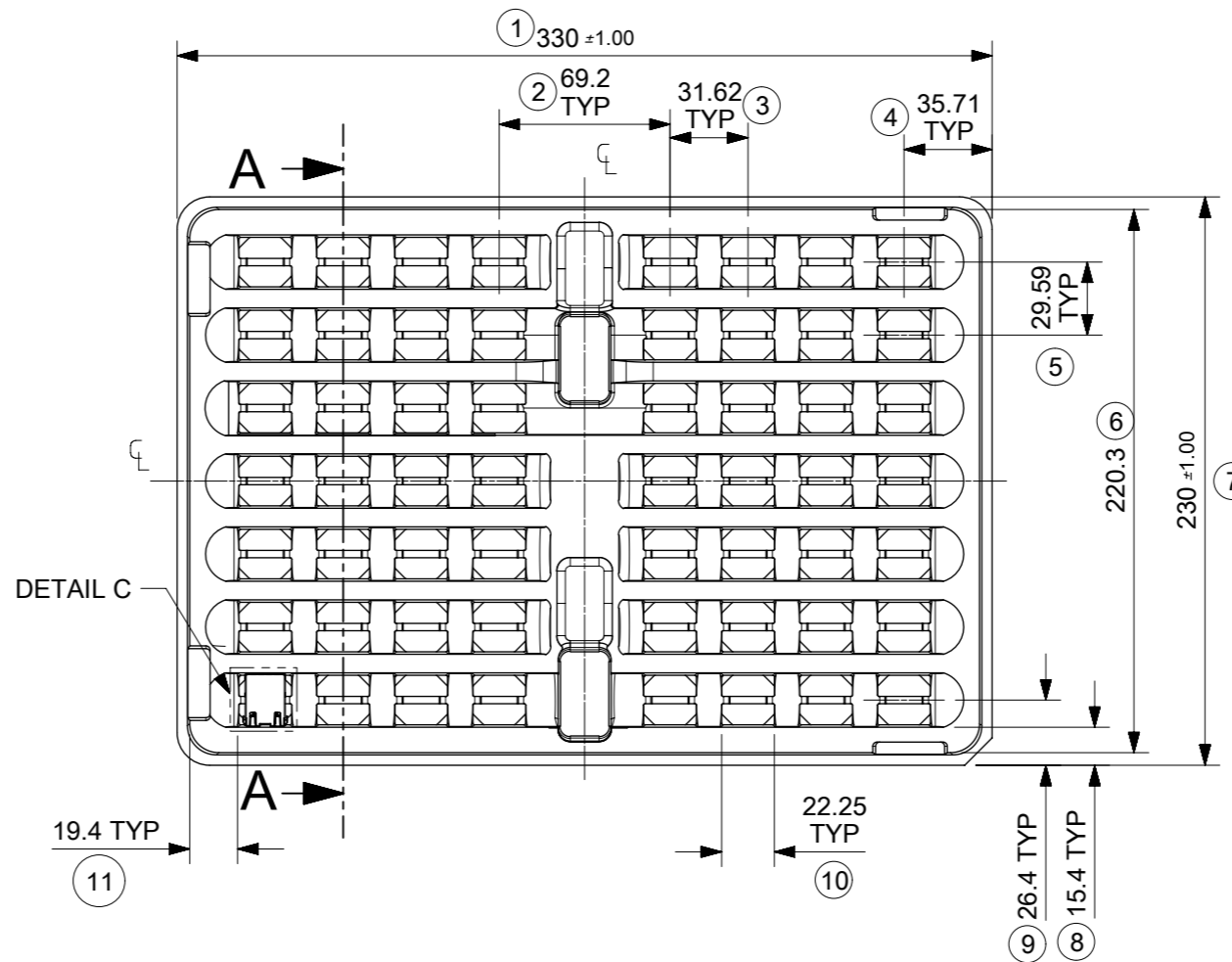


DETAIL B



DETAIL C  
SCALE 2:1



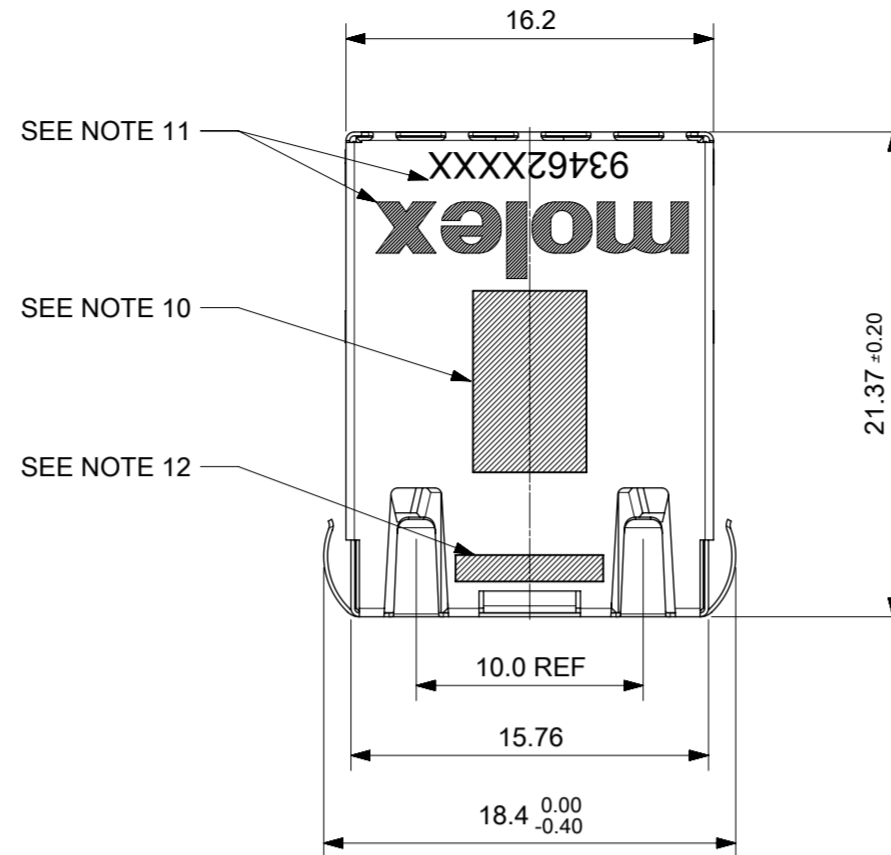
NOTES:

1. MATERIAL: PETA ANTISTATIC
2. THICKNESS: 0.9 mm ± 0.05 mm
3. COLOUR: CLEAR
4. BOW 2 mm MAXIMUM PER 330 mm
5. TWIST 2 mm MAXIMUM PER 330 mm
6. TRAY PART NO. AND RECYCLE LOGO TO BE CLEARLY MARKED ON TRAY  
RECYCLE LOGO SHOULD BE APPROPRIATE TO MATERIAL USED
7. WHERE RELEVANT, DIMENSIONS SHOULD BE SYMMETRICAL ABOUT THE CENTRELINE
8. GENERAL PROFILE TOLERANCE  $\overline{\cup}$  0.40 ON NON DIMENSIONED FEATURES

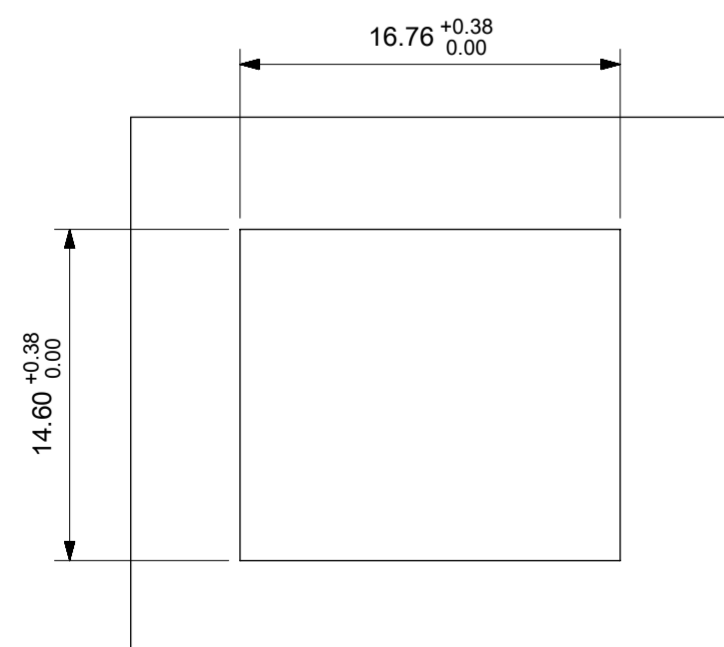
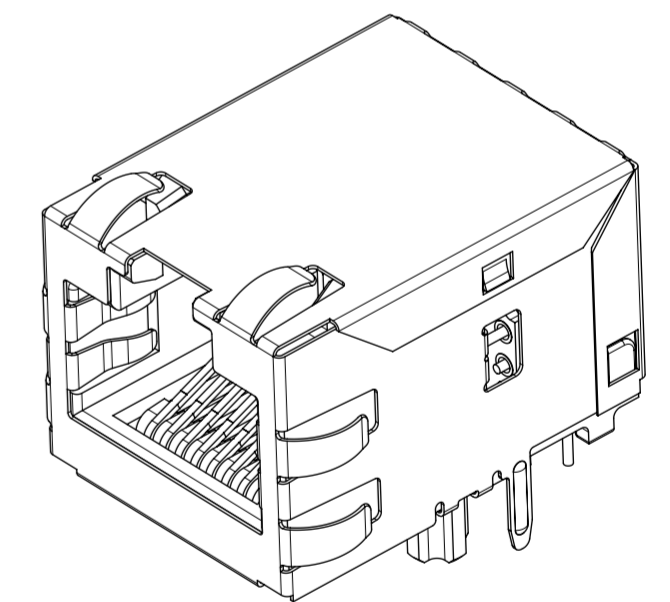
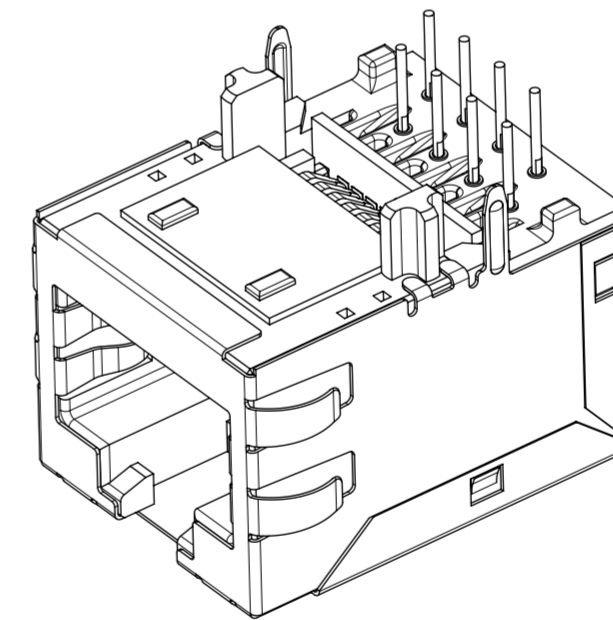
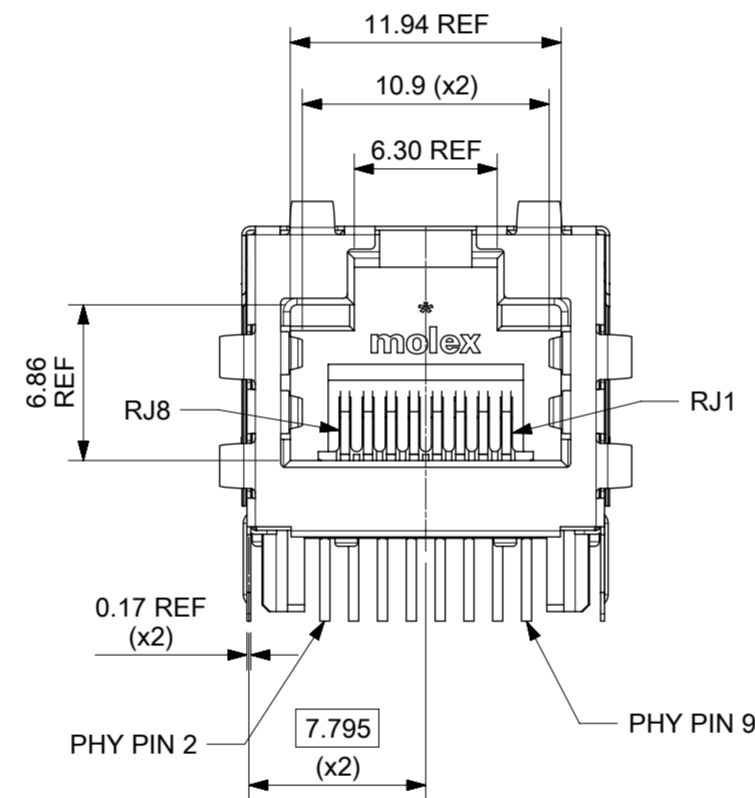
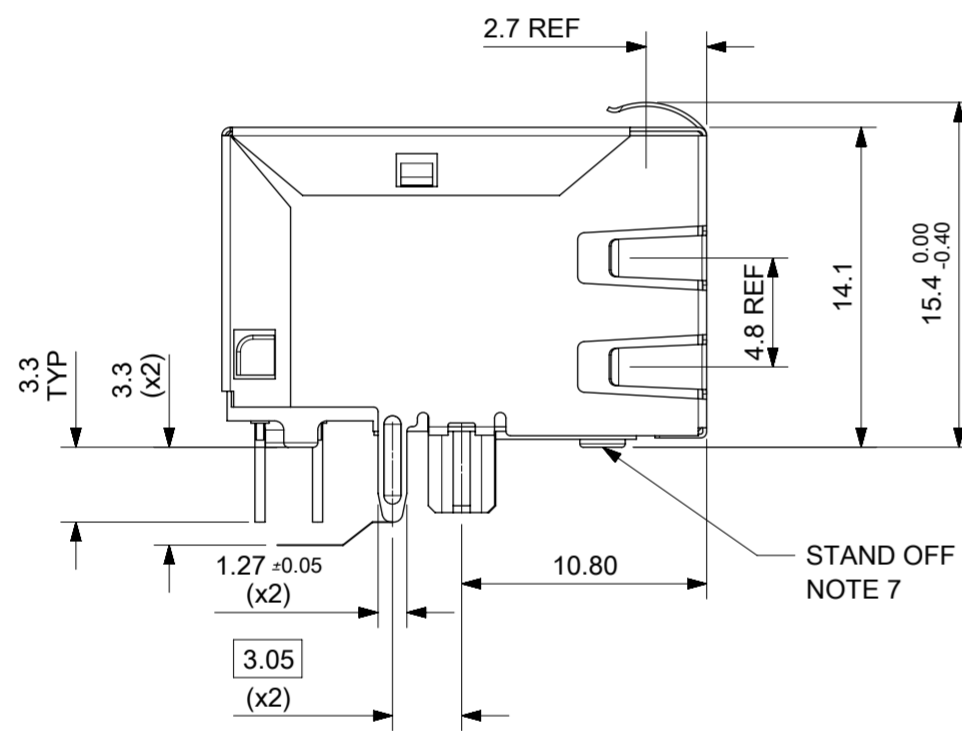
LAST INSPECTION NUMBER USED: 12

THIS DRAWING CONTAINS INFORMATION THAT IS PROPRIETARY TO MOLEX ELECTRONIC TECHNOLOGIES, LLC AND SHOULD NOT BE USED WITHOUT WRITTEN PERMISSION											
DIMENSION UNITS		SCALE		CURRENT REV DESC: REMOVED REFERENCE TO QUANTITY OF TRAYS PER STACK				<b>molex</b>			
mm		1:3									
GENERAL TOLERANCES (UNLESS SPECIFIED)											
ANGULAR TOL				± 1.0°							
4 PLACES				±							
3 PLACES				±							
2 PLACES				± 0.2							
1 PLACE				± 0.5							
0 PLACES				±							
DRAFT WHERE APPLICABLE MUST REMAIN WITHIN DIMENSIONS				THIRD ANGLE PROJECTION		DRAWING		SERIES		MATERIAL NUMBER	
						A3-SIZE		93462		990250150	
						2018/09/07		2019/01/25		2019/01/25	
						2016/05/06		2016/12/07		934620003	
						DRWN: DSHEA		CHK'D: DBYRNES		APPR: DBYRNES	
						EC NO: 602124		DRWN: DSHEA		2018/09/07	
						CHK'D: DBYRNES		APPR: DBYRNES		2019/01/25	
						INITIAL REVISION:		DRWN: KREILLY		2016/05/06	
						APPR: STGRIFFIN		2016/12/07		934620003	
						DOCUMENT NUMBER		DOC TYPE		DOC PART	
						934620003		PSD		K B	
						CUSTOMER		GENERAL MARKET		SHEET NUMBER	
						1 OF 1					

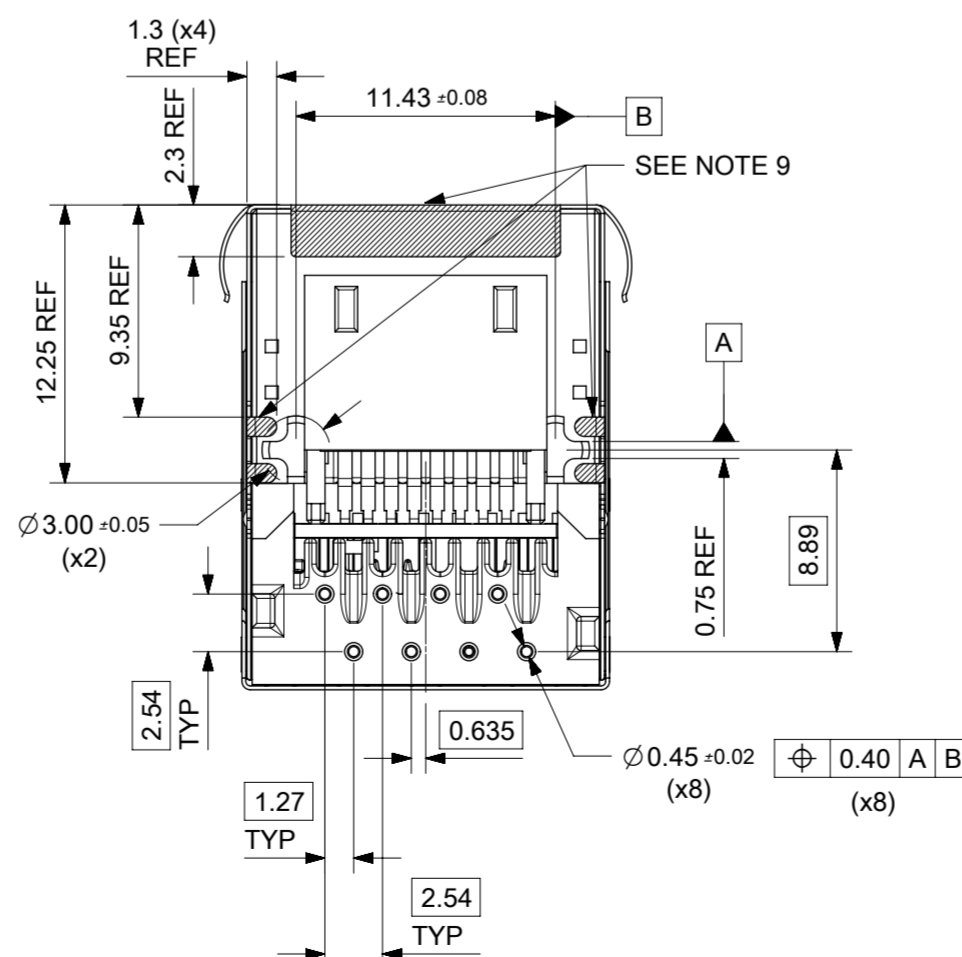
INVERTED PROFILE MAGNETIC JACK  
FAST ETHERNET W/SHIELD TABS



- NOTES:
- SHIELD MATERIAL: 0.17 mm THICK BRASS PRE-PLATED WITH NICKEL  
SOLDER TABS POST DIPPED WITH MIN 1.27 μm TIN
  - HOUSING MATERIAL: LCP, BLACK, UL 94V-0
  - TERMINALS MATERIAL: PHOSPHOR BRONZE  
RJ45 CONTACTS PLATING: BASE NICKEL PLATED WITH GOLD  
FLASH OVER PALLADIUM NICKEL. REFER TO 934620001 PSP  
PHY SOLDER TAILS: COPPER ALLOY
  - MATING INTERFACE ACCORDING TO IEC 60603-7 & TIA-1096-A
  - PRODUCT SPECIFICATION: 934620001 PSP
  - PACKAGING SPECIFICATION: 934620001 PSK - TRAY
  - STAND OFF TO SYSTEM BOARD 0.30 mm MIN
  - RECOMMENDED PCB THICKNESS: 1.57 mm
  - SHIELD: AVOID ROUTING TRACES  
OR PLACING ANY VIAS BELOW THESE AREAS
  - AREA FOR PICK AND PLACE: 5.0 mm X 8.0 mm
  - INSCRIPTION MARKED BY LASER:  
1st : MOLEX  
2nd : P/N (SEE BOM)
  - INSCRIPTION MARKED BY LASER:  
DATE CODE(DAY/WEEK/YEAR)
  - MATERIAL COMPLIANT TO RoHS DIRECTIVE 2002/95/EC

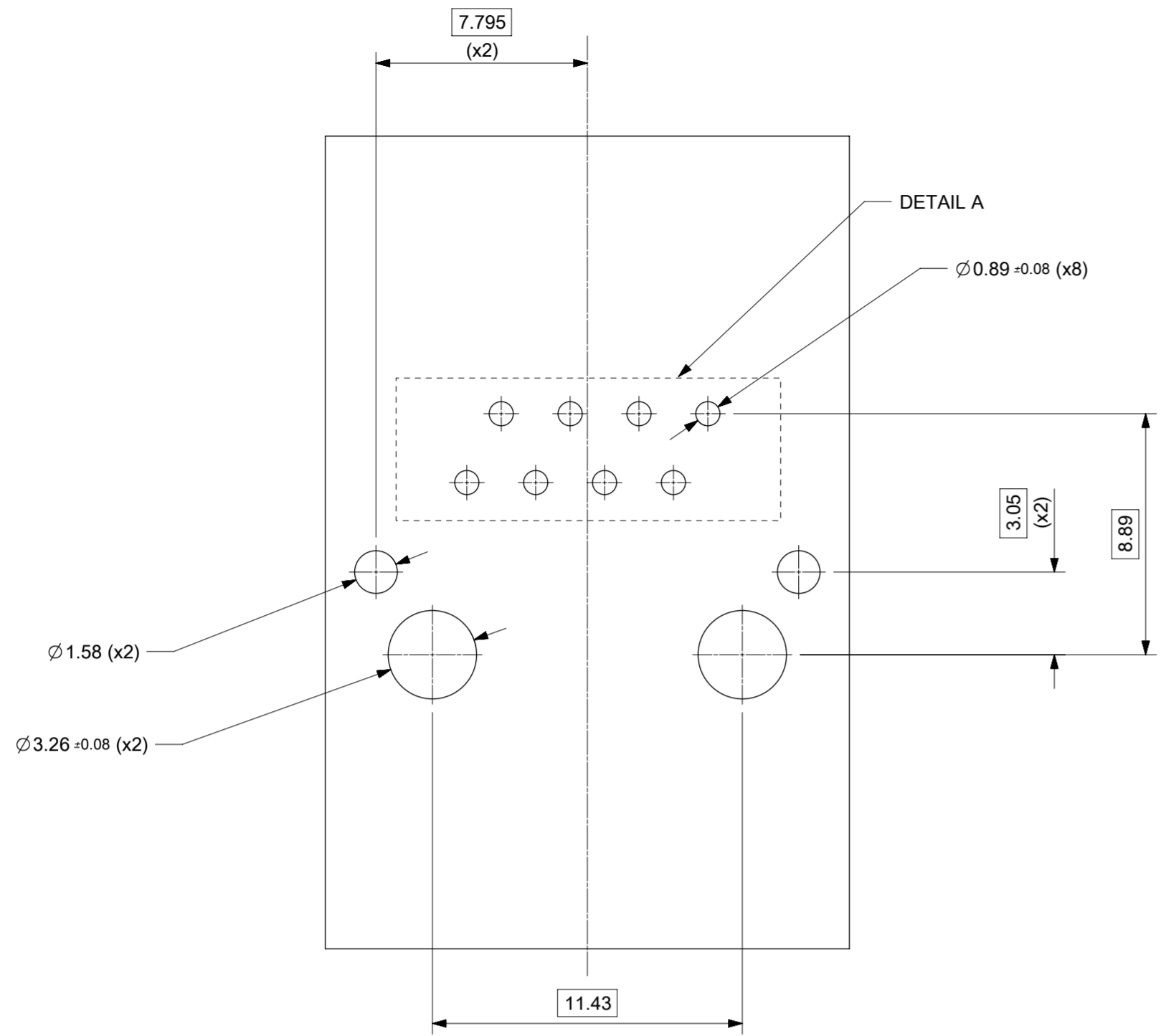


SUGGESTED PANEL CUT-OUT

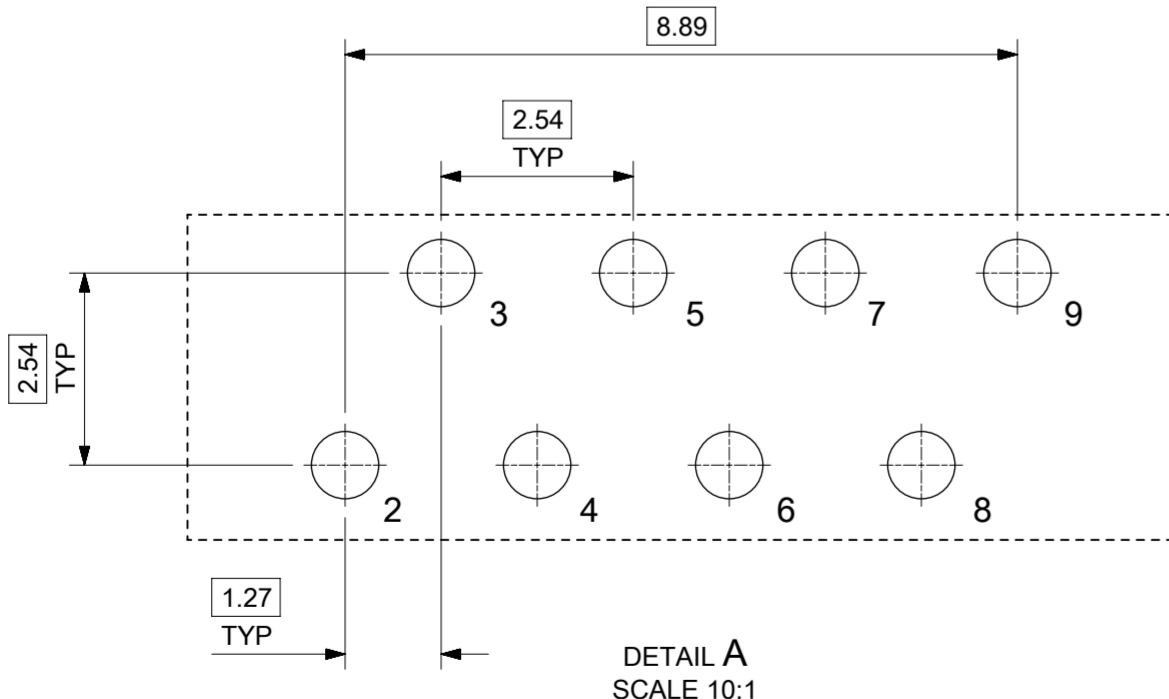


THIS DRAWING CONTAINS INFORMATION THAT IS PROPRIETARY TO MOLEX ELECTRONIC TECHNOLOGIES, LLC AND SHOULD NOT BE USED WITHOUT WRITTEN PERMISSION

EC NO: 116686 DRWN: KREILLY CHKD: DSHEA REV APPR: DBYRNES	2017/05/09 2017/09/12 2017/09/26	GENERAL TOLERANCES (UNLESS SPECIFIED) ANGULAR TOL ± 2.0 °	DIMENSION UNITS: mm SCALE: 3:1	
	DRWN BY: KREILLY DATE: 2015/09/28	4 PLACES ± 3 PLACES ± 2 PLACES ± 0.1 1 PLACE ± 0.2 0 PLACES ±	DRWN BY: KREILLY DATE: 2015/09/28	
	APPR BY: STGRIFFIN DATE: 2015/11/19	CHKD BY: DSHEA DATE: 2017/09/12	CHKD BY: DSHEA DATE: 2017/09/12	
	DRAFT WHERE APPLICABLE MUST REMAIN WITHIN DIMENSIONS	DRAWING SIZE: A2 THIRD ANGLE PROJECTION	APPR BY: STGRIFFIN DATE: 2015/11/19	
PRODUCT CUSTOMER DRAWING		SERIES: 93462 MATERIAL NUMBER: SEE TABLE ON SHEET 2 CUSTOMER: GENERAL MARKET		DOCUMENT NUMBER: 934620004 DOC TYPE: PSD DOC PART: 000 SHEET NUMBER: 1 OF 3
RELEASE STATUS: P1 RELEASE DATE: 26.09.2017 10:55:48		A2		



SUGGESTED BOARD LAYOUT  
FAST ETHERNET VERSION  
COMPONENT SIDE  
ALL DIMS REFERENCE DIMS



DETAIL A  
SCALE 10:1

PIN CONFIGURATION  
FOR FAST ETHERNET VERSION

PART NUMBER	LEFT LED	RIGHT LED
93462-8320	N/A	N/A

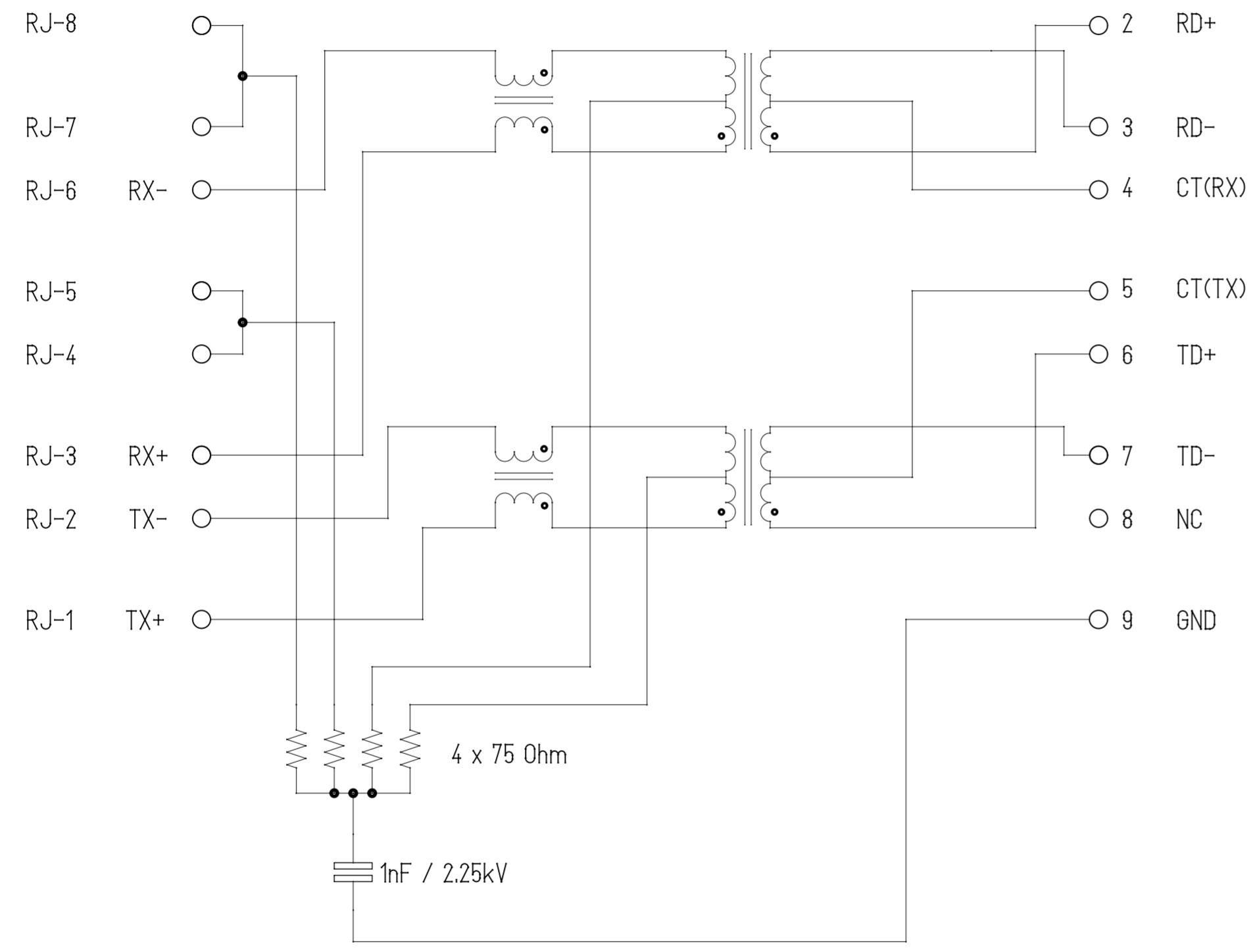
THIS DRAWING CONTAINS INFORMATION THAT IS PROPRIETARY TO MOLEX ELECTRONIC TECHNOLOGIES, LLC AND SHOULD NOT BE USED WITHOUT WRITTEN PERMISSION

REVISED EC NO: 116686 DRWN: KREILLY CHKD: DSHEA APPR: DBYRNES	2017/05/09	GENERAL TOLERANCES (UNLESS SPECIFIED)	DIMENSION UNITS	SCALE				
	2017/09/12	ANGULAR TOL ± 2.0 °	mm	5:1				
	2017/09/26	4 PLACES ±	DRWN BY	DATE		INV MX-MAG 4 CORE FE W/SHIELD TABS		
		3 PLACES ±	KREILLY	2015/09/28				
		2 PLACES ± 0.1	CHK'D BY	DATE				
	1 PLACE ± 0.2	DSHEA	2017/09/12					
	0 PLACES ±	APPR BY	DATE	PRODUCT CUSTOMER DRAWING				
	DRAFT WHERE APPLICABLE MUST REMAIN WITHIN DIMENSIONS	STGRIFFIN	2015/11/19	SERIES	MATERIAL NUMBER	CUSTOMER		
		DRAWING SIZE	THIRD ANGLE PROJECTION	93462	SEE TABLE	GENERAL MARKET		
		A2		DOCUMENT NUMBER	934620004	DOC TYPE	DOC PART	SHEET NUMBER
				PSD	000	2 OF 3		

Description	Value	
OCL @100 kHz, 0.1 V 8 mA DC bias (-40°C to +85°C)	350 μH min.	
Turns ratio	1CT:1CT	
Transmission characteristics @ 25°C, all four pairs		
Insertion Loss		
Frequency f, (MHz)	Limits (dB max.)	Typical Values (dB max.)
1.0-9.9	0.4+0.1*log(f)	0.5 @ 10 MHz
10-49.9	0.5+0.3*log(f/10)	0.7 @ 50 MHz
50-79.9	1+1.4*log(f/80)	1.0 @ 80 MHz
80-100	1.3+3*log(f/100)	1.3 @ 100 MHz
Return Loss		
Frequency f, (MHz)	Limits (dB min.)	Typical Values (dB min.)
1.0-39.9	18	18 @ 40 MHz
40-100	12-20*log(f/80)	10 @ 100 MHz
CMR		
Frequency f, (MHz)	Limits (dB min.)	Typical Values (dB min.)
1.0-100	30	30 @ 100 MHz
Next		
Frequency f, (MHz)	Limits (dB min.)	Typical Values (dB min.)
1.0-39.9	35	35 @ 40 MHz
40-100	33-20*log(f/50)	27 @ 100 MHz
Isolation PHY to wire side		
2.25 kVDC/60sec		

WIRE-SIDE / RJ-45                      ETHERNET MAGNETICS                      PHY-SIDE / PCB SIDE

RJ-45 CONTACTS



Shield

ETHERNET TERMINALS

THIS DRAWING CONTAINS INFORMATION THAT IS PROPRIETARY TO MOLEX ELECTRONIC TECHNOLOGIES, LLC AND SHOULD NOT BE USED WITHOUT WRITTEN PERMISSION

REVISED EC NO: 116686 DRWN: KREILLY CHKD: DSHEA REV APPR: DBYRNES	2017/05/09	GENERAL TOLERANCES (UNLESS SPECIFIED)	DIMENSION UNITS	SCALE				
	2017/09/12	(UNLESS SPECIFIED)	mm	1:1				
	2017/09/26	ANGULAR TOL ± 2.0 °	DRWN BY	DATE		INV MX-MAG 4 CORE FE W/SHIELD TABS		
		4 PLACES ±	KREILLY	2015/09/28				
		3 PLACES ±	CHK'D BY	DATE				
	2 PLACES ± 0.1	DSHEA	2017/09/12					
	1 PLACE ± 0.2	APPR BY	DATE	PRODUCT CUSTOMER DRAWING				
	0 PLACES ±	STGRIFFIN	2015/11/19	SERIES	MATERIAL NUMBER	CUSTOMER		
	DRAFT WHERE APPLICABLE MUST REMAIN WITHIN DIMENSIONS	DRAWING SIZE	THIRD ANGLE PROJECTION	A2	93462	SEE TABLE ON SHEET 2	GENERAL MARKET	
					DOCUMENT NUMBER	DOC TYPE	DOC PART	SHEET NUMBER
					934620004	PSD	000	3 OF 3