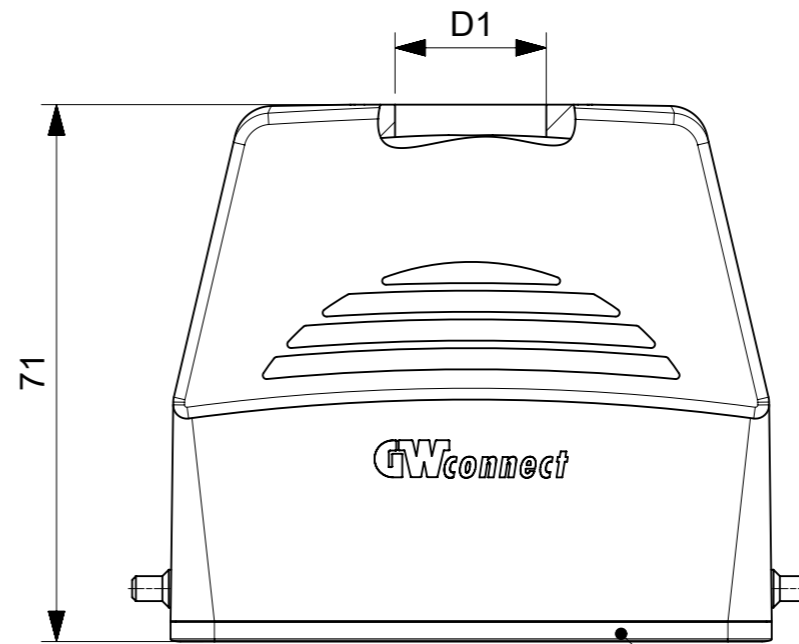
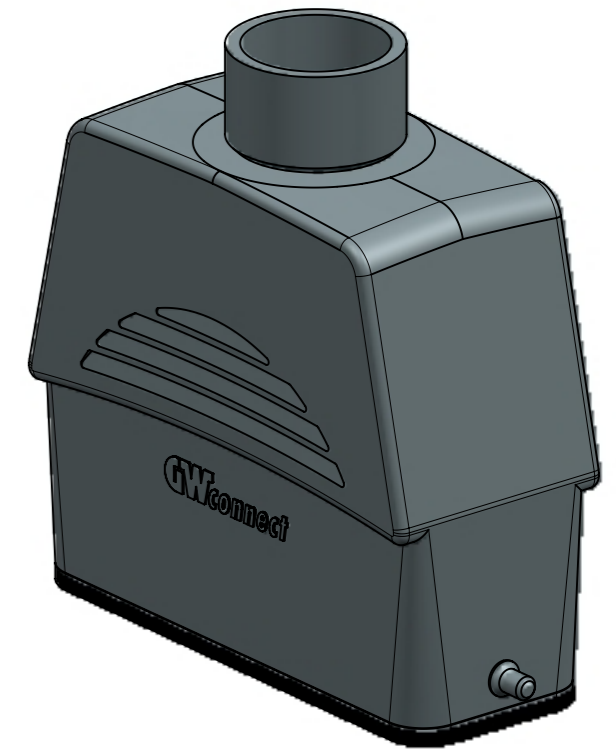
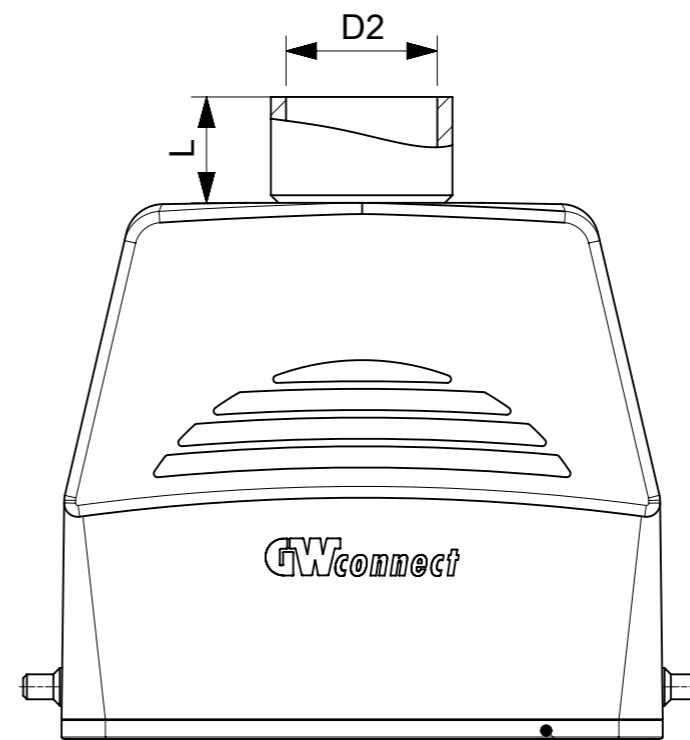


WITHOUT THREADED FITTING



WITH THREADED FITTING



Eng.No.	SAP.No.	D1 W/O FITTING	D2 W/ FITTING	L
7816.4566.0	936012174	-	M20	14
7816.4567.0	936012180	-	M25	15
7816.4568.0	936012186	-	Pg16	14
7816.4569.0	936012192	-	Pg21	15
7816.4570.0	936012198	-	-	-
7816.4566.5	936012177	M20	-	-
7816.4567.5	936012183	M25	-	-
7816.4568.5	936012189	Pg16	-	-
7816.4569.5	936012195	Pg21	-	-

SYMBOLS DIMENSION UNITS: mm SCALE: 1:1 GENERAL TOLERANCES (UNLESS SPECIFIED): ANGULAR TOL: ± ° 4 PLACES: ± 3 PLACES: ± 2 PLACES: ± 1 PLACE: ± 0 PLACES: ± DRAFT WHERE APPLICABLE MUST REMAIN WITHIN DIMENSIONS	THIS DRAWING CONTAINS INFORMATION THAT IS PROPRIETARY TO MOLEX ELECTRONIC TECHNOLOGIES, LLC AND SHOULD NOT BE USED WITHOUT WRITTEN PERMISSION		CURRENT REV DESC: EC NO: 174618 DRWN: AKHEMIRI 2018/03/05 CHK'D: DMERONI 2018/03/13 APPR: AMELZI 2018/04/04		molex 16A STANDARD HOOD 2 PEGS HIGH CONSTRUCTION TOP ENTRY WITH / WITHOUT THREADED FITTING	
	INITIAL REVISION: DRWN: AKHEMIRI 2018/03/05 APPR: AMELZI 2018/04/04		PRODUCT CUSTOMER DRAWING DOCUMENT NUMBER: 936012177 DOC TYPE: PSD DOC PART: 000 REVISION: A		MATERIAL NUMBER: SEE TABLE CUSTOMER: GENERAL MARKET SHEET NUMBER: 1 OF 1	