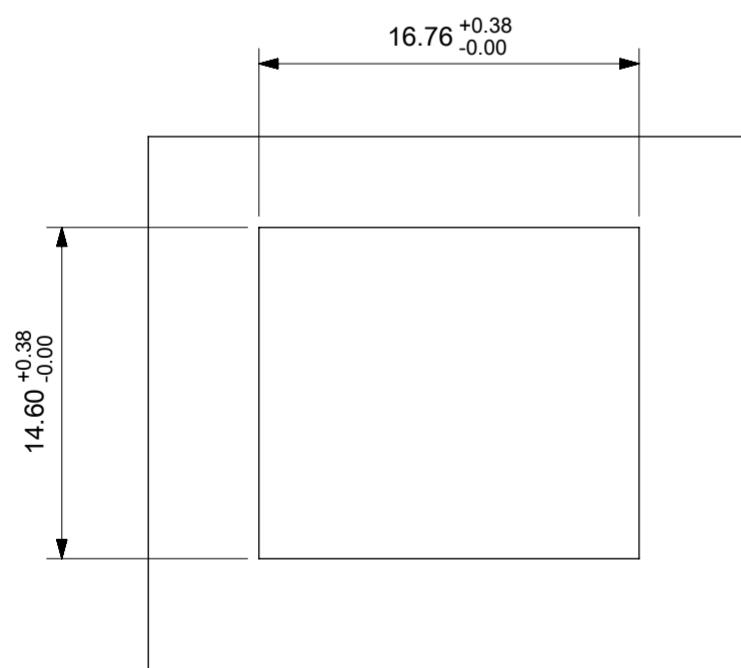
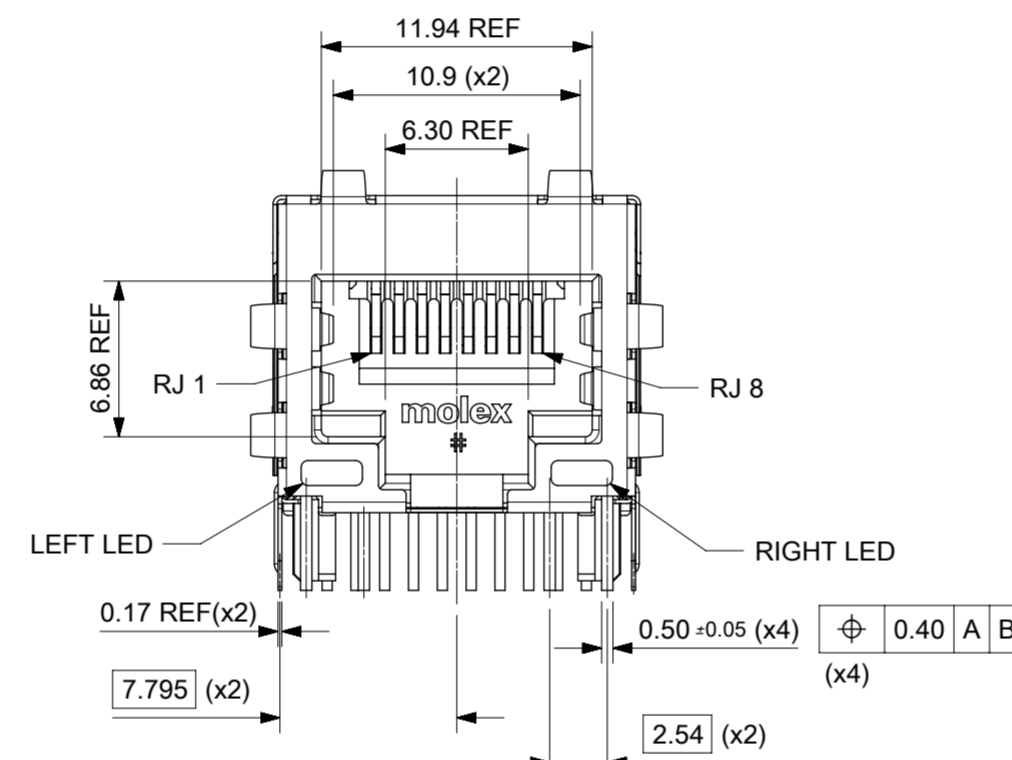
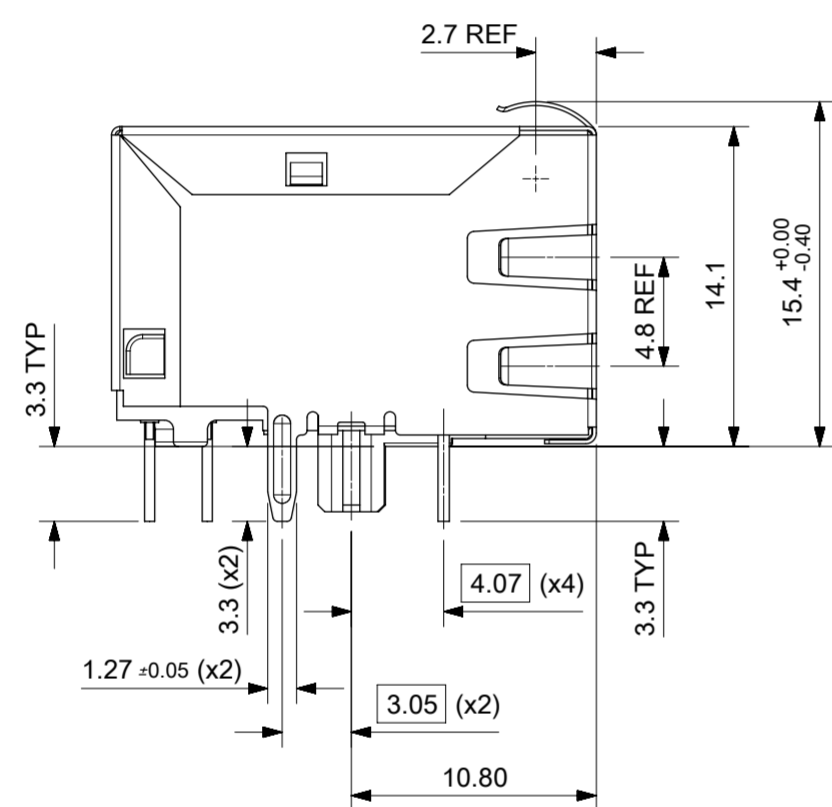
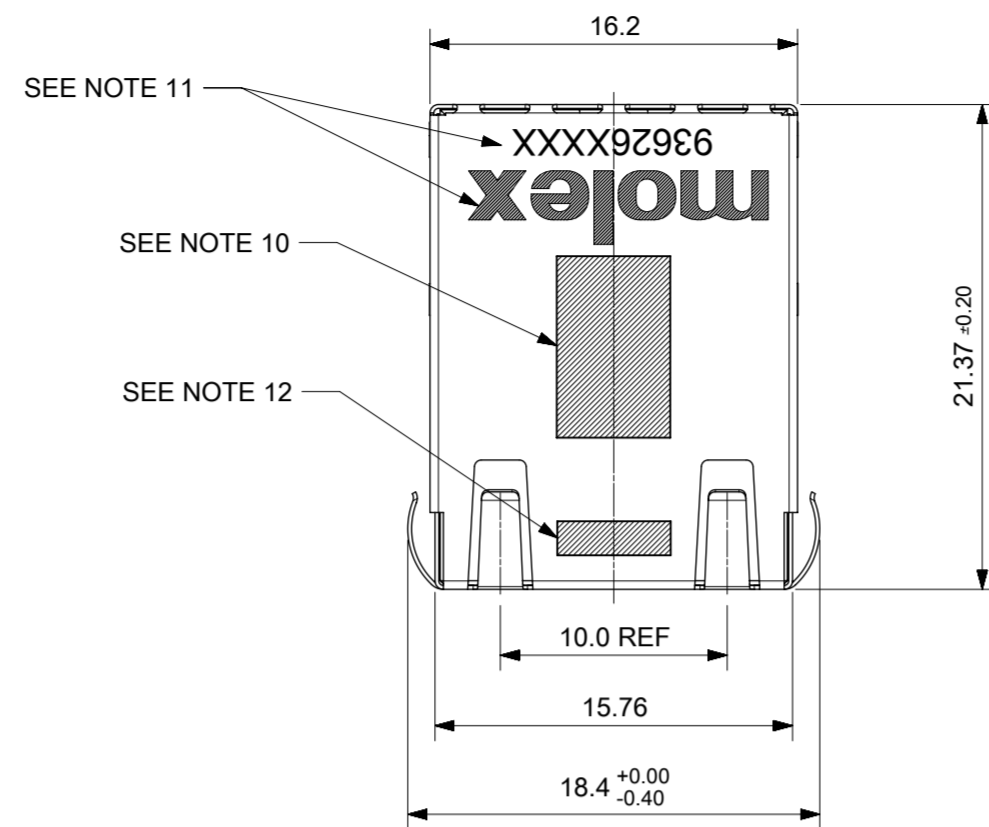
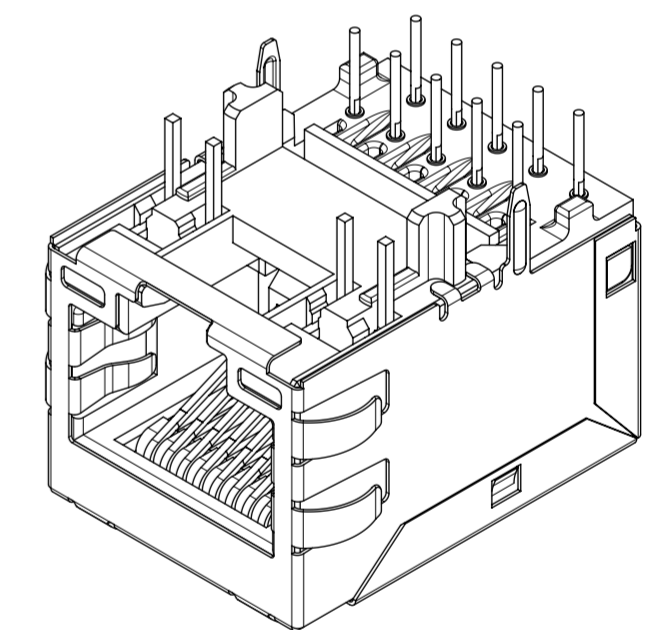
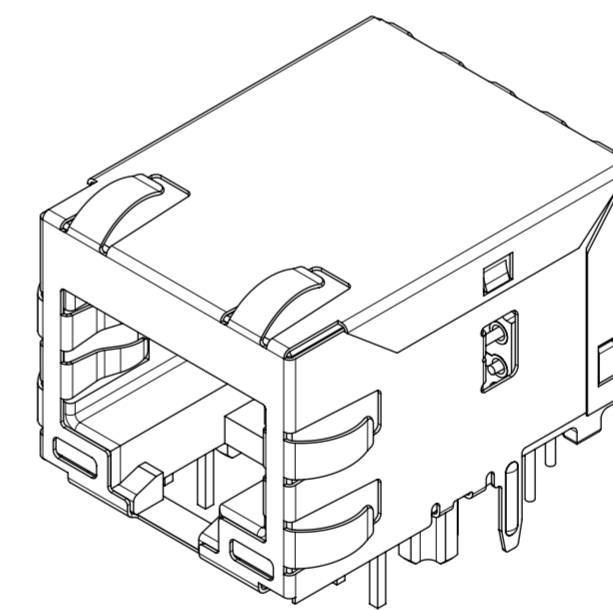
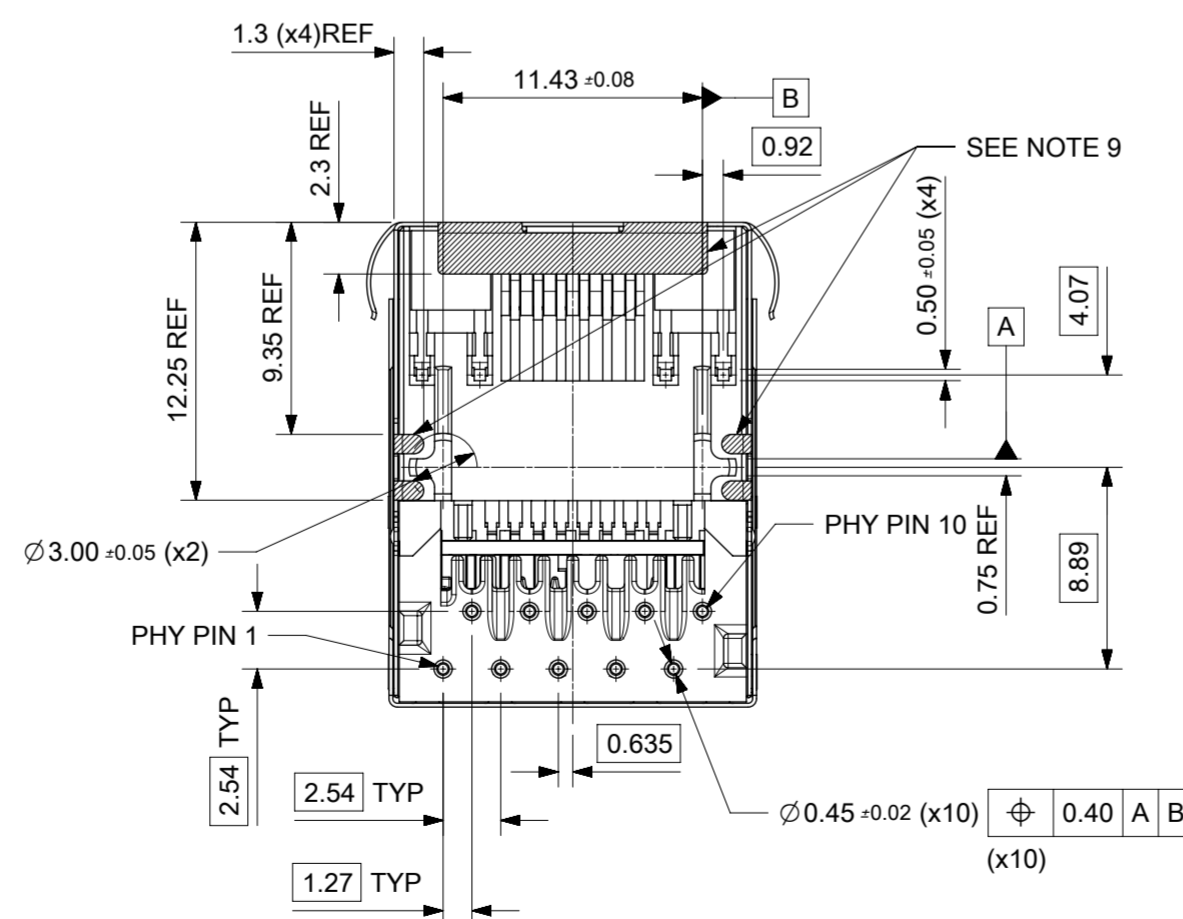


STANDARD PROFILE MAGNETIC JACK  
GIGABIT ETHERNET W/ LEDS  
AND W/ SHIELD TABS TOP AND SIDE



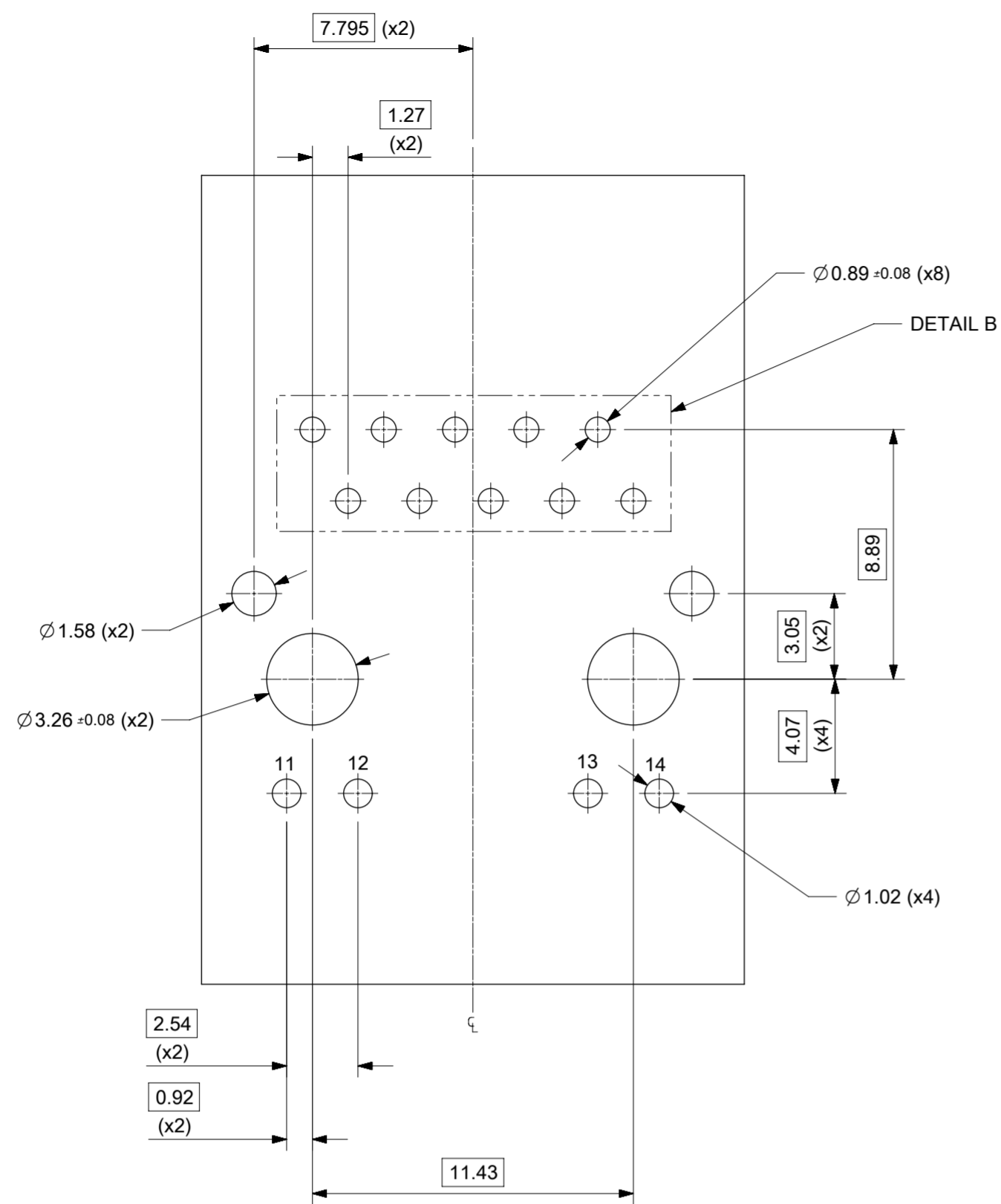
SUGGESTED PANEL CUT-OUT



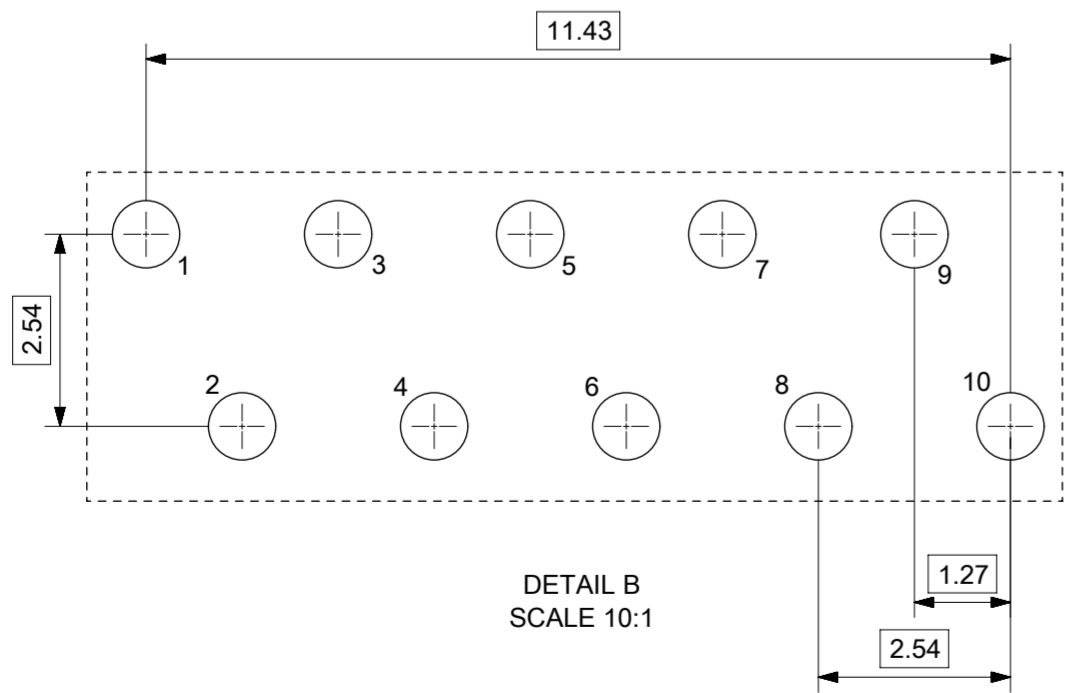
- NOTES:
- 1 - SHIELD MATERIAL: 0.17mm THICK BRASS PRE-PLATED WITH NICKEL  
SOLDER TABS POST DIPPED WITH MIN. 1.27µm TIN
  - 2 - HOUSING MATERIAL: LCP, BLACK, UL 94V-0
  - 3 - TERMINAL MATERIAL: PHOSPHOR BRONZE  
RJ45 CONTACTS PLATING: BASE NICKEL PLATED WITH GOLD  
FLASH OVER PALLADIUM NICKEL. REFER TO 934620001 PSP  
PHY SOLDER TAILS: COPPER ALLOY
  - 4 - MATING INTERFACE ACCORDING TO IEC 60603-7 & TIA-1096-A
  - 5 - PRODUCT SPECIFICATION: 934620001 PSP
  - 6 - PACKAGING SPECIFICATION: 934620001 PSK TRAY
  - 7 - STAND OFF TO SYSTEM BOARD 0.30mm MINIMUM
  - 8 - RECOMMENDED PCB THICKNESS: 1.57mm
  - 9 - SHIELD: AVOID ROUTING TRACES  
OR PLACING ANY VIAS BELOW THESE AREAS
  - 10 - AREA FOR PICK AND PLACE: 5.0mm X 8.0mm
  - 11 - INSCRIPTION MARKED BY LASER:  
1st : MOLEX  
2nd : P/N (SEE CHART)
  - 12 - DATE CODE(DAY/WEEK/YEAR)
  - 13 - MATERIAL COMPLIANT TO RoHS DIRECTIVE 2002/95/EC

THIS DRAWING CONTAINS INFORMATION THAT IS PROPRIETARY TO MOLEX ELECTRONIC TECHNOLOGIES, LLC AND SHOULD NOT BE USED WITHOUT WRITTEN PERMISSION

REVISED EC NO: 114553 DRWN: DSHEA CHKD: DBYRNES APPR: STGRIFFIN	2017/03/15	2017/04/14	2017/04/25	GENERAL TOLERANCES (UNLESS SPECIFIED) ANGULAR TOL ± 2.0 ° 4 PLACES ± 3 PLACES ± 2 PLACES ± 0.1 1 PLACE ± 0.2 0 PLACES ± DRAFT WHERE APPLICABLE MUST REMAIN WITHIN DIMENSIONS	DIMENSION UNITS	SCALE		
					MM	3:1		
					DRWN BY	DATE		
					KREILLY	2015/10/14		
					CHK'D BY	DATE		
			KREILLY	2016/01/20				
			APPR BY	DATE				
			STGRIFFIN	2016/10/07				
			DRAWING SIZE	THIRD ANGLE PROJECTION	SERIES	MATERIAL NUMBER	CUSTOMER	
			A2		93626	SEE CHART	GENERAL MARKET	
					DOCUMENT NUMBER	DOC TYPE	DOC PART	SHEET NUMBER
					936260001	PSD	000	1 OF 3



SUGGESTED BOARD LAYOUT  
GIGABIT VERSION  
COMPONENT SIDE  
ALL DIMS REFERENCE DIMS

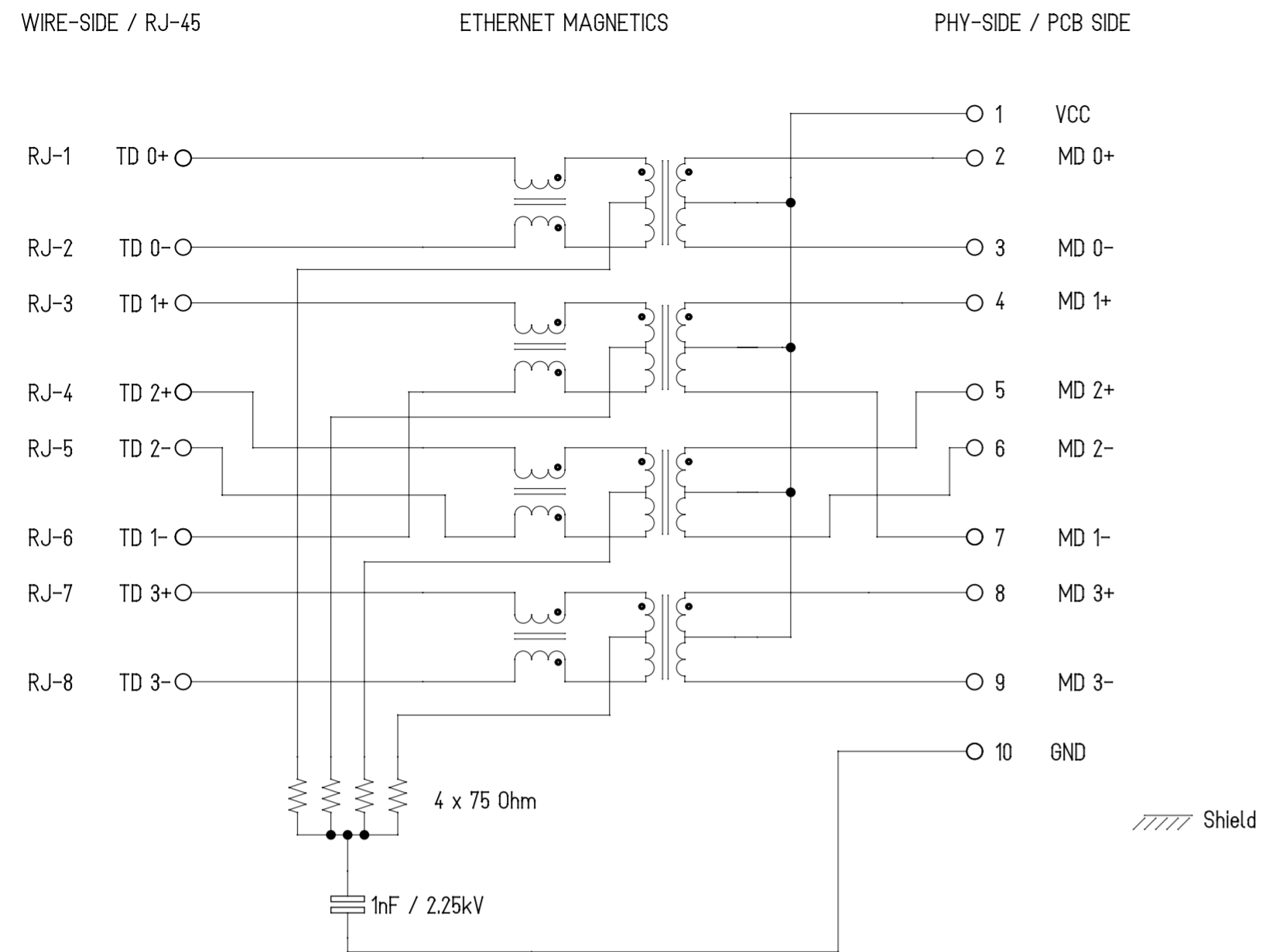


DETAIL B  
SCALE 10:1  
PIN CONFIGURATION  
FOR GIGABIT VERSION

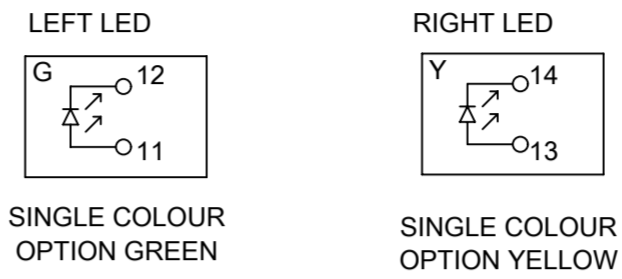
PART NUMBER	SCHEMATIC	LEFT LED	RIGHT LED
93626-3006	A	GREEN	YELLOW
93626-3508	B	GREEN/YELLOW	GREEN/YELLOW

THIS DRAWING CONTAINS INFORMATION THAT IS PROPRIETARY TO MOLEX ELECTRONIC TECHNOLOGIES, LLC AND SHOULD NOT BE USED WITHOUT WRITTEN PERMISSION

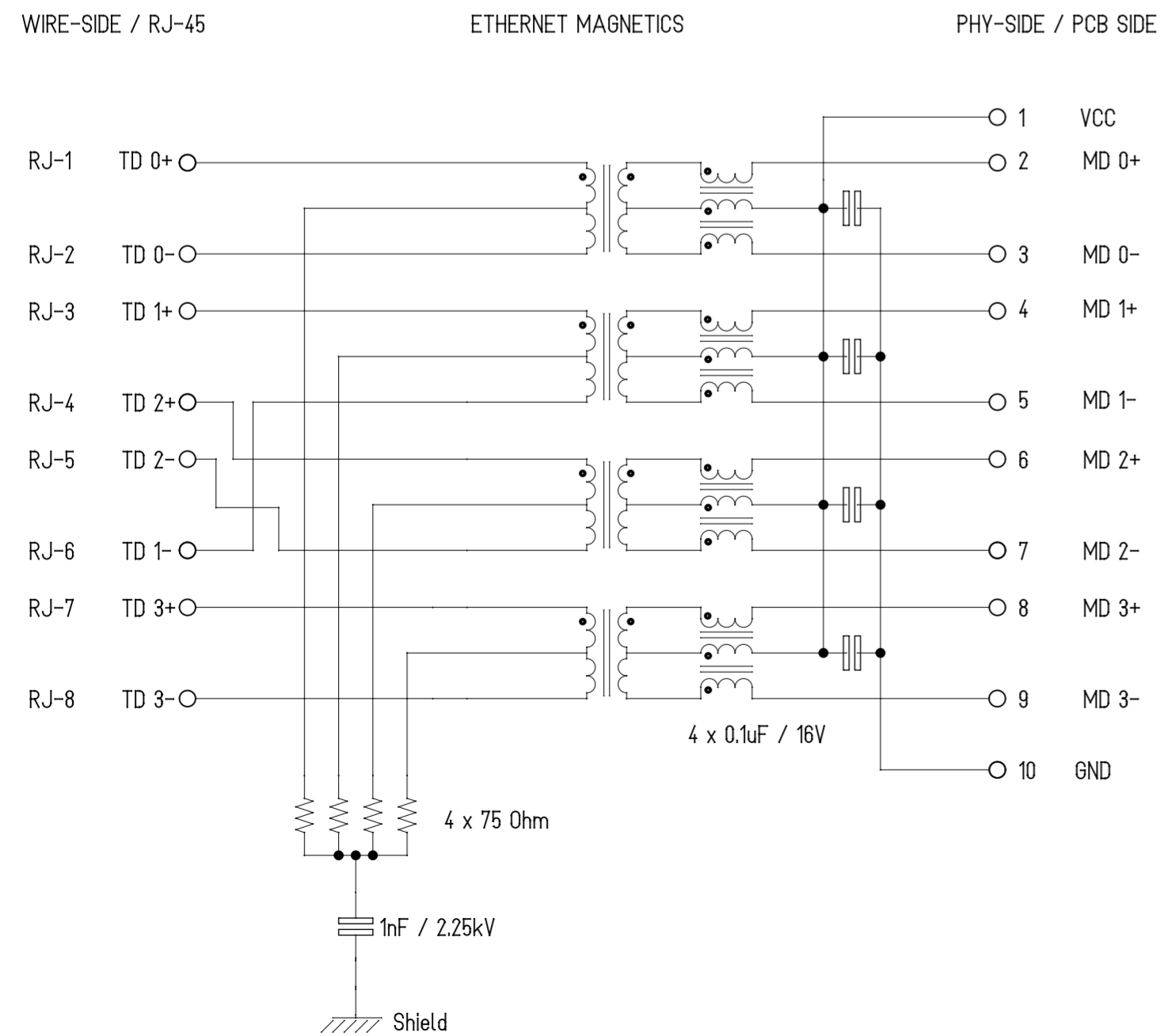
REVISED EC NO: 114553 DRWN: DSHEA CHKD: DBYRNES REV / APPR: STGRIFFIN	2017/03/15	2017/04/14	2017/04/25	GENERAL TOLERANCES (UNLESS SPECIFIED)	DIMENSION UNITS	SCALE						
				ANGULAR TOL ± 2.0 °	MM	5:1						
	4 PLACES	±		DRWN BY	DATE			STD MXMAG 8 CORE GIG W/ LEDS & W/ SHIELD TABS				
	3 PLACES	±		KREILLY	2015/10/14							
	2 PLACES	±	0.1	CHK'D BY	DATE							
1 PLACE	±	0.2	KREILLY	2016/01/20		PRODUCT CUSTOMER DRAWING						
0 PLACES	±		2 PLACES	±								
			1 PLACE	±			SERIES	MATERIAL NUMBER	CUSTOMER			
			0 PLACES	±			93626	SEE CHART	GENERAL MARKET			
							DRAWING SIZE	THIRD ANGLE PROJECTION	DOCUMENT NUMBER	DOC TYPE	DOC PART	SHEET NUMBER
							A2		936260001	PSD	000	2 OF 3



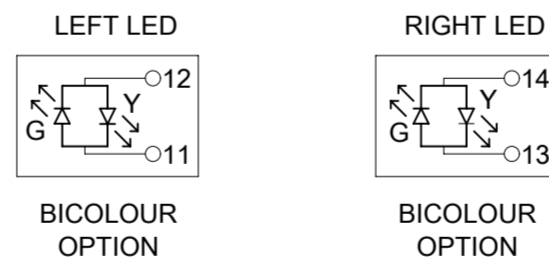
# SCHEMATIC A



ETHERNET TERMINALS



# SCHEMATIC B



ETHERNET TERMINALS

Description	Value	
OCL @100kHz, 0.1V, 8mA DC bias 0°C to +70°C)	350µH min.	
Turns ratio	1CT:1CT	
Transmission characteristics @ 25°C, all four pairs		
Insertion Loss		
Frequency (MHz)	Limits (dB max.)	Typical Values (dB max.)
1.0-9.9 MHz	0.4+0.1*log(F)	0.5 @ 10MHz
10-49.9 MHz	0.5+0.3*log(F/10)	0.7 @ 50MHz
50-79.9 MHz	1+1.4*log(F/80)	1.0 @ 80MHz
80-100 MHz	1.3+3*log(F/100)	1.3 @ 100MHz
Return Loss		
Frequency (MHz)	Limits (dB min.)	Typical Values (dB min.)
1.0-39.9 MHz	18	18 @ 40MHz
40-100 MHz	12-20*log(F/80)	10 @ 100MHz
CMR		
Frequency (MHz)	Limits (dB min.)	Typical Values (dB min.)
1.0-100MHz	30	30 @ 100MHz
Next		
Frequency (MHz)	Limits (dB min.)	Typical Values (dB min.)
1.0-39.9MHz	35	35 @ 40MHz
40-100MHz	33-20*log(F/50)	27 @ 100MHz
Isolation PHY to wire side	2.25kVDC/60sec	

THIS DRAWING CONTAINS INFORMATION THAT IS PROPRIETARY TO MOLEX ELECTRONIC TECHNOLOGIES, LLC AND SHOULD NOT BE USED WITHOUT WRITTEN PERMISSION

REVISED EC NO: 114553 DRWN: DSHEA CHKD: DBYRNES APPR: STGRIFFIN 2017/03/15 2017/04/14 2017/04/25	GENERAL TOLERANCES (UNLESS SPECIFIED)	DIMENSION UNITS	SCALE			
	4 PLACES ±	MM	1:1			
	3 PLACES ±	DRWN BY	DATE		STD MXMAG 8 CORE GIG W/ LEDS & W/ SHIELD TABS	
	2 PLACES ± 0.1	KREILLY	2015/10/14			
	1 PLACE ± 0.2	CHK'D BY	DATE		PRODUCT CUSTOMER DRAWING	
0 PLACES ±	KREILLY	2016/01/20				
DRAFT WHERE APPLICABLE MUST REMAIN WITHIN DIMENSIONS	APPR BY	DATE	SERIES	MATERIAL NUMBER	CUSTOMER	
	STGRIFFIN	2016/10/07	93626	SEE CHART	GENERAL MARKET	
	DRAWING SIZE	THIRD ANGLE PROJECTION	DOCUMENT NUMBER	DOC TYPE	DOC PART	SHEET NUMBER
	A2		936260001	PSD	000	3 OF 3